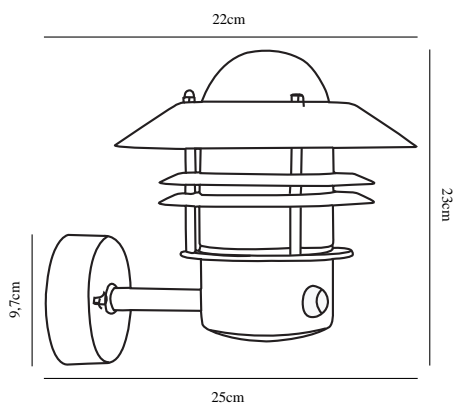


BLOKHUS UP SENSOR | WALL LIGHTING | GALVANIZED

25031031

nordlux®



Voltage (V): 230 Volt
 IP degree if the fixture includes two types of IP degree: IP54
 Maximum compatible bulb wattage (W): 60W
 Class (Class I, Class II, Class III): Class 1 (Earth contact)
 Lampholder type (eg, E27/E14, etc): E27
 Parallel connection possible?: True

Color: Galvanized
 Height (cm): 23
 Shade Diameter (cm): 22
 Projection (cm): 25
 EAN: 5701581119048
 TUN: 5061470
 Item Number: 25031031
 Pcs Per Master Carton: 3

Sales Box Height (cm): 22.5
 Sales Box Width(cm): 22
 Sales Box Depth (cm): 23
 Sales Box Volume m³ : 0.0114
 Net weight of the luminaire (kg): 1.405

Primary material: Galvanized steel
 Secondary material: Glass
 Color of the Glass: Clear

- Build-in parallel connection
- Build-in daylight and motion sensor
- Build-in parallel connection

A classic light fixture from Nordlux, suitable for mounting in the driveway, at the entrance, on the terrace, or on the patio. This model is designed with an upward facing lampshade. The built-in sensor ensures that the light turns on automatically when it detects motion nearby. At the same time, it ensures that the light is not turned on unnecessarily.

The galvanised finish makes the light fixture resistant to the Nordic climate. We recommend light fixtures in galvanised steel for coastal areas.