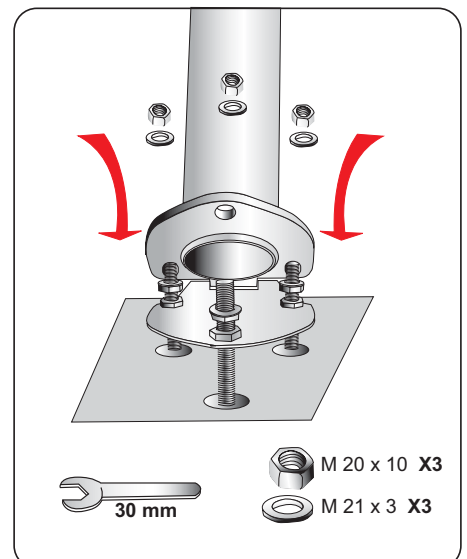
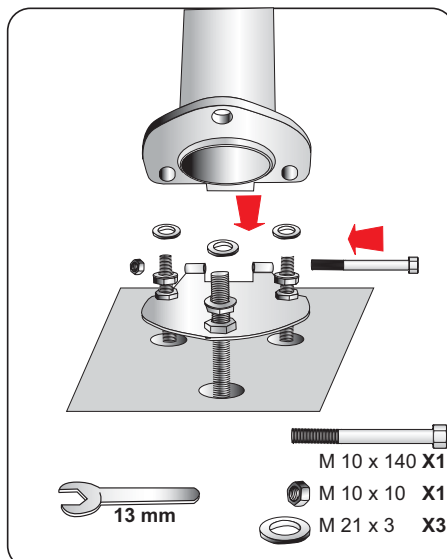
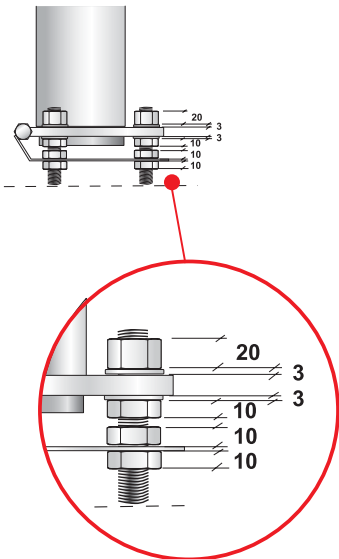
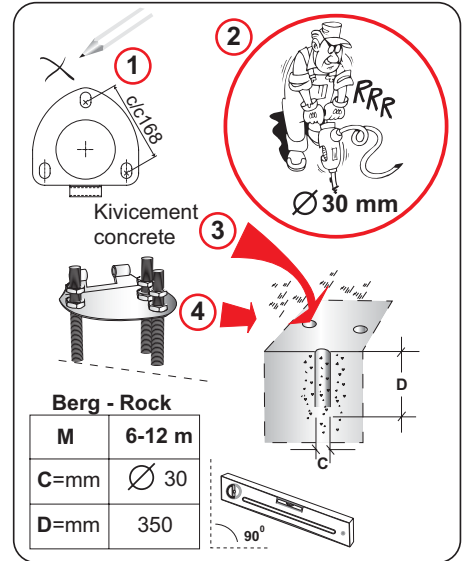
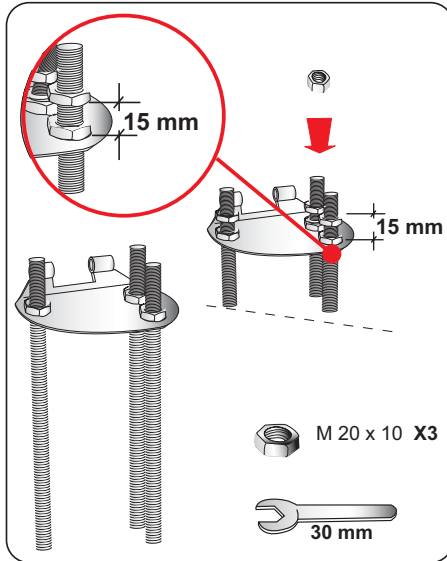
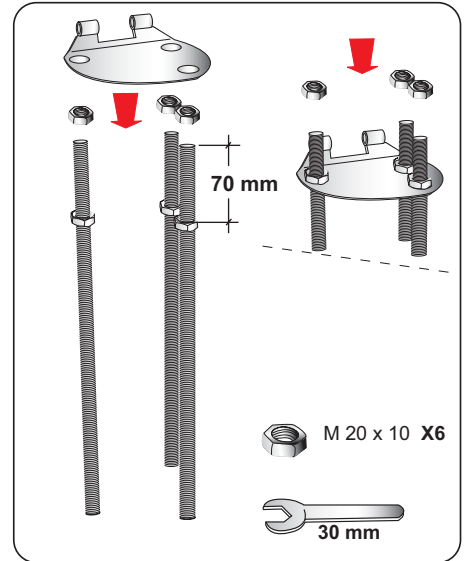
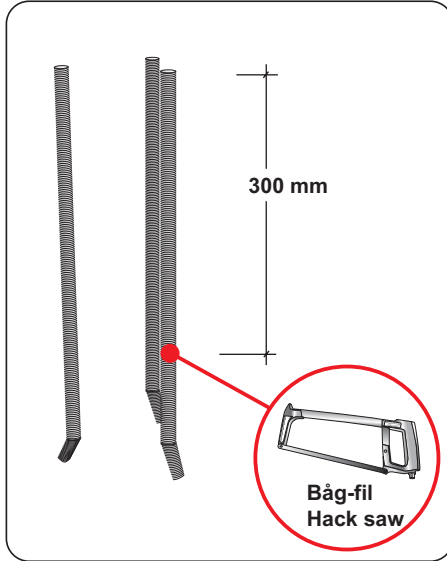
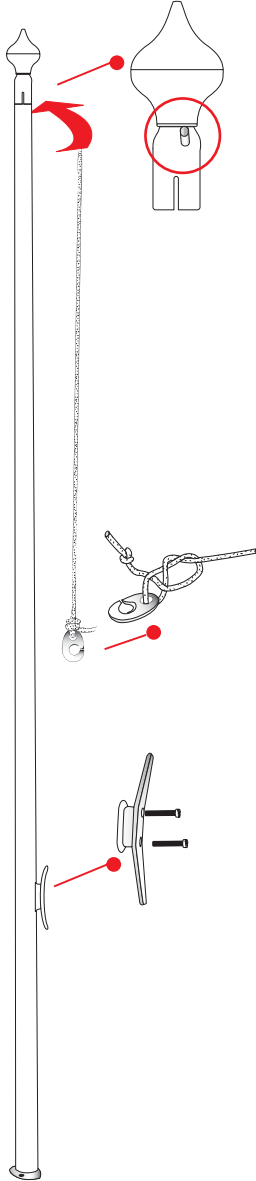
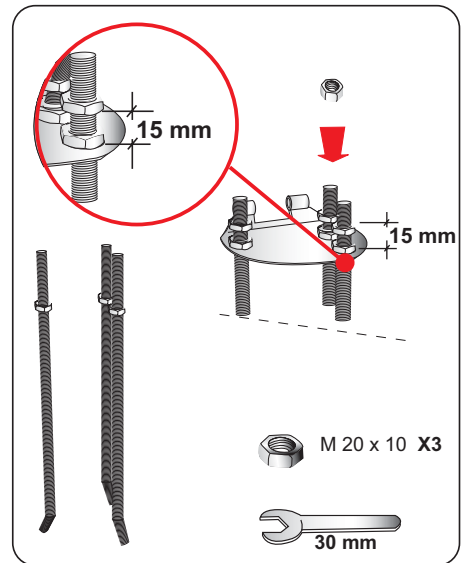
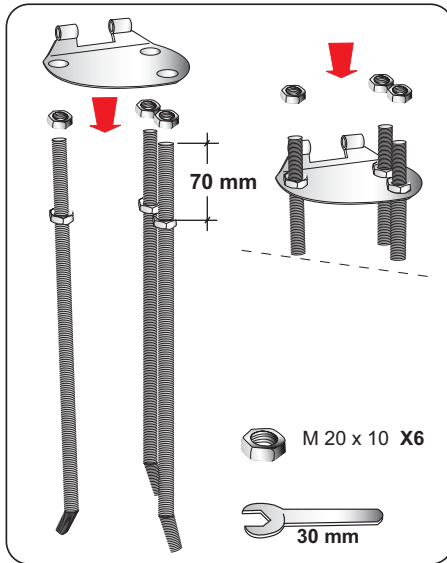
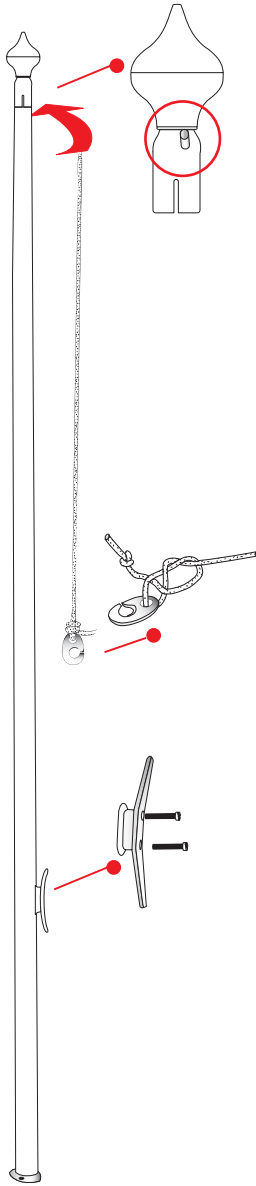


Nordic



Nordic



1 2 3 4

Betong concrete

90°

2-300 mm

A B

Ø 300-400 mm

A

Mark - Ground

M	6-8 m	9 m	10 m	12 m
A= mm	300	300	400	400
B= mm	800	900	1000	1200

