

# ELEKTRISK RYGSPRØJTE 16 L



Importeret for Jem &Fix – Denmark by

F&H Com A/S  
Gl. Kattrupvej 4  
Dk-8751 Gedved  
mail@fhcom.dk

## Opbygning & funktioner

Sprøjten består af en sprøjtetank, en base, et batteri, en membranpumpe, sprøjtedele (gummislange, skifte, sprøjtebom, lanse og sprøjtedyse...), og en rem.

- (1) Designet formmæssigt til at efterligne den menneskelige rygsøjle for behageligere følelse at bære på ryggen.
- (2) Micro membranpumpe af kompakt størrelse, let vægt, højt tryk, jævnt forstøvning, god gennemtrængelighed, højt vedhæftningsforhold, forlænget levetid samt en pålidelig overbelastningsbeskyttelse.
- (3) Multi-sikringsbeskyttelse for at forhindre, at sprøjtedysen spærres af for urenheder. Silen har speciel struktur, der gør det nemt at demontere ved (4)
- (4) Trykregulerende enhed til at variere forstøvningstrykket mellem 0,0 ~ 4,5 bar, som kan opfylde kravene til forskellige operationer og forskellige sprøjtedysere.
- (5) Voltmeter til præcis indikation af batteri-niveau, som indikerer hvornår der skal lades, hvilket hjælper med at forlænge batteriets levetid.
- (6) On/Off knappen har tre indstillinger: “—”, betyder 'On', “O” betyder 'Off' og '二' er trykregulering

## Tekniske data

El-Rygssprøjte

Mål: 39 × 20 × 54 cm

Tankens kapacitet: 16 L

Mikromembranpumpe

Arbejdstryk: 5,5 bar

Batteri: 12V10Ah

Oplader: Indgang AC220V

Udgang DC12.6V 1.7A

## Sikkerhed

Forkert brug af sprøjten kan være farligt. Du skal læse, forstå og overholde sikkerhedsforanstaltningerne for at sikre sikkerheden for dig selv og andre.

- (1) Sprøjten er ikke beregnet til brug mod mennesker eller dyr
- (2) Forlad ikke sprøjten uden opsyn og sluk for strømmen, når den ikke er i brug; brug ikke skadelige kemikalier og efterlad ikke sprøjten i direkte sollys.
- (3) Afmonter, udskift eller monter ikke maskinen alene.
- (4) Efter arbejdet er gjort skal du rengøre sprøjten med rent vand, muligvis flere gange hvis der er brugt opløseligt pulver; brug eventuelt varmt vand om nødvendigt. Det er forbudt at anvende vand uopløseligt pulver. Rengøring: Udvendigt kan du vaske den af ved brug en våd klud. Der skal hældes rent vand i tanken og rystes. Derefter sprøjtes vand ud af dysen for at rengøre delene derigennem. Tanken må ikke sættes i vand.
- (5) Det er forbudt at anvende stærk syre, stærk alkaliske, brandfarlige væsker eller anden særlig væske.
- (6) Følg sikkerhedsinstrukserne, når du arbejder. Brug beskyttelsesudstyr som maske, briller, hat, handsker eller anti-pesticid tøj.
- (7) Denne sprøjte må ikke bruges, hvis man lider af psykisk eller anden alvorlig sygdom. Den må heller ikke bruges i alkoholpåvirket tilstand eller af personer uden forståelse

for betjeningen. Ydermere, bør sprøjten ikke bruges lige efter anstrengende træning, hvis du føler dig svag eller er gravid. Efter brug skal både krop og tøj vaskes. Undgå at indtage væske på samme tid.

(8) Du skal nøje overholde sikkerhedsinstruktionerne mht. pesticider fra producenten heraf.

### Vedligeholdelse

Udover ovenstående instrukser;

- (1) Tjek alle forbindelser og undgå utætheder
- (2) Undersøg om der er løse eller mangler skruer
- (3) Vask filter og pumpe efter brug.
- (4) Alle reparationer, som ikke er beskrevet i denne betjeningsvejledning, må kun udføres af specialuddannet personale på et autoriseret serviceværksted. Brug kun originale reservedele ved udskiftning og reparation.

- (5) Produktet må kun lånes ud til personer, som er fortrolige med betjening af produktet. Manualen skal under alle omstændigheder medfølge.

### Opbevaring

- (1) Efter vedligeholdelse bør sprøjten opbevares på et tørt og ventileret sted – gerne over jorden, væk fra ild, solstråler og børn.
- (2) Du bør aflade og lade batteriet hver 3. måned.
- (3) Brug kun i temperaturer fra -5°C~40°C.

### Fejlfinding




Nedbrud beskrivelse	Analyse	Løsning
Motor virker ikke	<ul style="list-style-type: none"> <li>• Pumpe tryk er sat for lavt</li> <li>• Batteri er dødt</li> <li>• Kontakt ødelagt</li> <li>• Løs forbindelse</li> <li>• Motor i stykker</li> <li>• <b>Sikring mangler (se billede)</b></li> </ul>	<ul style="list-style-type: none"> <li>• Øg trykket, drej med uret</li> <li>• Genoplad</li> <li>• Skift kontakt</li> <li>• Afmonter bunden, tjek løs forbindelse</li> <li>• Udskift motor</li> </ul>
Mærkelig lyd fra pumpe motor ved brug	<ul style="list-style-type: none"> <li>• Løse skruer i/ved pumpe</li> </ul>	<ul style="list-style-type: none"> <li>• Spænd skruer</li> </ul>
Utæt bund	<ul style="list-style-type: none"> <li>• Løs forbindelse ved ind- og udførselsdele</li> </ul>	<ul style="list-style-type: none"> <li>• Fastspænd slanger/gevind</li> </ul>
Ujævn sprøjting	<ul style="list-style-type: none"> <li>• Pumpetryk er sat for lavt</li> <li>• Urenheder i dyse, lance eller slange</li> <li>• Dyse i stykker</li> <li>• Skive i dyse skæv</li> <li>• Løse</li> <li>• Lavt batteri</li> </ul>	<ul style="list-style-type: none"> <li>• Øg trykket, drej med uret</li> <li>• Fjern urenheder</li> <li>• Udskift dyse</li> <li>• Læg det på plads</li> <li>• Genoplad batteri</li> </ul>

## TILBEHØRET OG SIKRINGEN

Venligst skrue tanklåget af som det første. I låget ligger nemlig alt tilbehøret til sprøjten såsom ekstra dyser og sikringer etc.



### VIGTIGT: Montere sikringen

<p>1: Indsæt sikringen i sikringsholderen.</p>	<p>2: Indsæt nu sikringsholderen i siden på sprøjten hvor man oplader sprøjten.</p>	<p>3: Åben låget og indsæt sikringens holderen som vist.</p>
		

Tryk nu på lansehåndtaget for at sprøjte! GOD fornøjelse.



# GARDEN KNAPSACK POWER SPRAYER



Imported for Jem & Fix A/S by

F&H Com A/S  
Gl. Kattrupvej 4  
DK-8751 Gedved  
mail@fhcom.dk



## Structure & Features

The sprayer consists of a spray tank, a base, a battery, a diaphragm pump, spraying parts (rubber hose, switch, spray boom, lance and spraying nozzle...), and a strap.

- (1) Designed to imitate the curve of the human back, which will make carrying more comfortable.
- (2) A micro diaphragm pump of compact size, light weight, high pressure, which ensures even atomization, good penetrability, high adhesion ratio, extended service life as well as a reliable overload protection.
- (3) Comes with multi strainer protection, preventing foreign impurities from blocking the spraying nozzle.
- (4) There is also a convenient and practical pressure regulating unit to vary the atomization pressure between 0.0~4.5bar.
- (5) It also has a high-precision voltmeter for precise indication of battery voltage. This will prevent lower-power working or power-free storage of battery and contribute to the extended service life of the battery.

## Technical Data

Dimension: 39×20×54 cm

Capacity: 16 L

Pump: Micro diaphragm pump

Working Pressure: 5.5 bar

Battery: 12V10Ah

Charger: Input AC220V, Output DC12.6V 1.7A

## Safety

Before operating your knapsack sprayer, read, understand and follow the safety instructions.

The operator of the sprayer should wear a mask, hat, protection clothes, water-proof gloves and rubber boots.

## Storage and maintenance

The sprayer should be placed dry, safely, away from fire and children. Pesticides should be kept out of the reach of children. For safe disposal of pesticides, follow the safety instructions issued by the manufacturer.

Disassembly and repairing of charger by non-professionals is prohibited. In case of failure, please contact the distributor or an authorized professional repair shop. Never spray towards human beings or animals. Never operate against adverse wind.

## Warning

People affected by fatigue, poor health, injury, pesticide allergy or pregnancy should never engage in pesticide dispensing. Alcohol consumption and the impact should not be involved either.

Never use strong acid, strong alkaline, and other inflammable solutions. Never use highly-toxic and highly-persistent pesticide for pest control of vegetables, melon



crops, fruit trees, tee, herbal medicines etc. Ensure enough time after pesticide application before harvesting time.

Never dispose of used batteries in a fire or disassemble them. Used batteries should be collected and disposed in an environmentally safe manner.

## **Precautions**

The chemicals for application in this sprayer should not exceed 45°C. Operation in an ambience over 45°C or below -10°C should be avoided.

Trial run with clean water, a check of various joints for possible leakage and a check for atomization condition are required prior to initial operation. Make sure everything is working properly before preparing the chemical liquid.

The preparation of chemicals should follow the instructions and formula furnished by the pesticide manufacturer. Unauthorized altering of the dilution rate of chemicals is prohibited and may endanger human and animal health, or result in the failure of sprayer or pest control. After use, change your clothes and wash exposed body parts such as hands and face. In case of highly toxic pesticides and germicides, a shower after operation is required to ensure safety.

## **How to Operate the Sprayer**

### **1: Operation of Charger**

When the charging indicator lamp turns green, it indicates that the battery has been fully charged.

### **2: Voltmeter**

The sprayer is equipped with voltmeter measuring voltage of 0V-30V. It can work when needle point between 10-15V. If the needle point is below 10V, it is time to re-charge.

If the sprayer has been utilized for a short period of time, it is unnecessary to charge. If the sprayer has been laid aside for longer periods of time, it needs to be fully discharged before being fully charged again. This will help maintain the capacity and service life of the battery.

### **3: Add chemicals**

Before operation, remove the lid of spray tank to fill the tank with chemicals through the screen slowly. Then put the lid of spray tank back on, turn on power switch, and hold down the switch handle to start operation.

Never submerge the sprayer into water for filling or cleaning.

### **4: On/Off**

The On/Off button consists of three steps: “—”, “O” and “≡”.

Step “—” : The pump starts working while pressure regulation is unchanged.

Step “O” : OFF closed, the pump stops working.

Step “≡” : Pressure regulation starts working. Turn the regulating knob clockwise to increase the pressure and decrease the size and counterclockwise to decrease the pressure and increase the size.

This sprayer is equipped with an over-load protection unit, which will enable the hydraulic pump

to release pressure automatically when the switch is closed or the nozzle is blocked.

## 5: Stop

Press the power switch slightly to turn off the pump power.

## Cleaning and Maintenance

Clean the surface of the sprayer with a wet cloth. Shake the sprayer after filling it with water and then turn on the power switch to spray the cleaning water via nozzle. Switch strainer and spray tank strainer can be disassembled for cleaning with water.

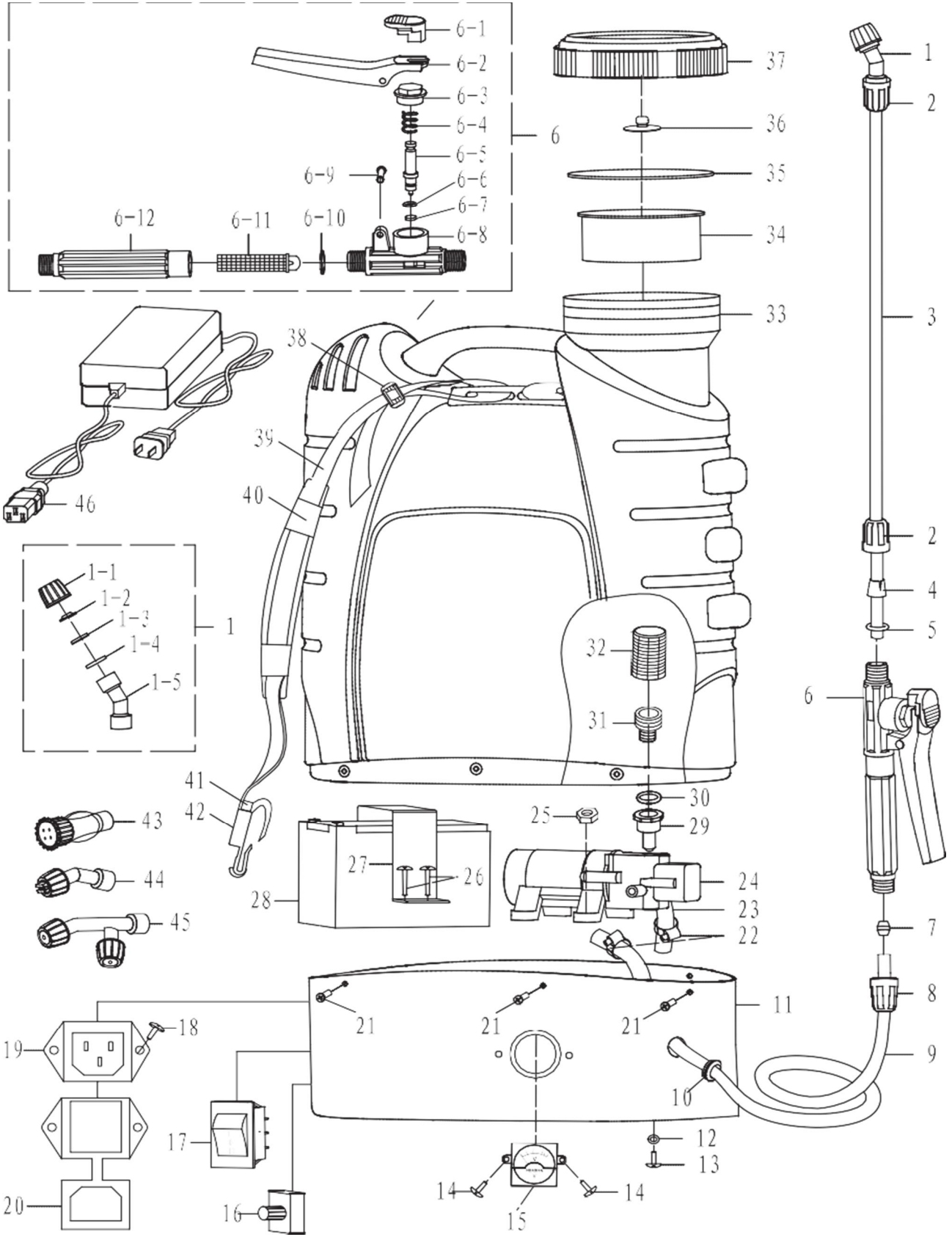
## Troubleshooting

Problems	Causes	Solutions
The motor fails to run after being powered on.	<ol style="list-style-type: none"> <li>1. The pump pressure has been set at the min. value</li> <li>2. Battery out of power</li> <li>3. Power switch has been damaged</li> <li>4. Power wires come off</li> <li>5. Motor damaged</li> </ol>	<ol style="list-style-type: none"> <li>1. Turn the knob clockwise to increase the pressure.</li> <li>2. Recharge</li> <li>3. Replace the switch</li> <li>3. Disassemble the base to reconnect the wires.</li> <li>5. Replace the motor</li> </ol>
Abnormal sounds heard while the motor rotates	<ol style="list-style-type: none"> <li>1. The fastening screws of the pump are loose</li> </ol>	<ol style="list-style-type: none"> <li>1. Tighten the screws</li> </ol>
Leakage occurs to the underside of the base	<ol style="list-style-type: none"> <li>1. The inlet and outlet pipes of the pump have loosened or broken</li> </ol>	<ol style="list-style-type: none"> <li>1. Disassemble the base to tighten the pipe clam</li> <li>2. Repair it</li> </ol>
Poor atomization results	<ol style="list-style-type: none"> <li>1. Extra-low pump pressure</li> <li>2. The holes inside the sprinkler sheet are blocked</li> <li>3. The spraying hole and split sheet have worn out</li> <li>4. The spraying sheet has been inversely assembled.</li> <li>5. Pipe joints may loosen.</li> <li>6. Battery short of power</li> </ol>	<ol style="list-style-type: none"> <li>1. Turn the knob clockwise to increase the pressure.</li> <li>2. Remove the impurities</li> <li>3. Replace the sheets</li> <li>4. Correct it</li> <li>5. Tighten the joint</li> <li>6. Recharge the battery</li> </ol>



## SPLIT DRAWING AND PARTS LIST

S/N	Description	Qty	S/N	Description	Qty
1	Conical mist spray head	1	16	Speed controller	1
1-1	Spray head nut	1	17	Power on/off button	1
1-2	Conical mist spray sheet	1	18	Cross-recessed head tapping screws Ø3×12	2
1-3	Water separation sheet	1	19	Charging socket	1
1-4	Seal ring	1	20	Protecting jacket	1
1-5	Elbow	1	21	Cross recessed countersunk flathead screw M5 ×6	6
2	Spray rod nut	2	22	Pipe clip	2
3	Spray rod	1	23	Inlet pipe	1
4	Fastening sleeve	2	24	Diaphragm pump assembly	1
5	O-seal ring Ø14.6×3	2	25	Hexagonal fixing nut	4
6	Starting switch	1	26	cross-recessed head tapping screws Ø4×39	4
6-1	Spacing cap	1	27	Collar	1
6-2	Switch handle	1	28	Battery	1
6-3	Switch nut	1	29	Inlet connector	1
6-4	Switch spring	1	30	Seal washer	1
6-5	Valve plug	1	31	Strainer connector	1
6-6	Valve plug O-ring Ø9.5×1.9	1	32	Suction filter	1
6-7	Seal washer	1	33	Spray tank	1
6-8	Switch body	1	34	Tank filter	1
6-9	Switch pin	1	35	Seal	1
6-10	O-ring Ø20.5×2.5	1	36	Inlet valve	1
6-11	Switch strainer	1	37	Spray tank lid	1
6-12	Handle	1	38	Strap snapper	1
7	Enlarge button	2	39	Strap	1
8	Hose nut	2	40	Shoulder pad	1
9	Hose	1	41	Strap button	1
10	Strap hook	1	42	Strap hook	1
11	Base	1	43	4-hole spraying nozzle	1
12	Flat washer	1	44	Cone spraying nozzle	1
13	Cross recessed pan head screw M5×18	4	45	Dual spraying nozzle	1
14	cross-recessed head tapping screws Ø3×11	2	46	Charger	1
15	Voltmeter	1			



**OVERENSSTEMMELSESERKLÆRING CE**  
**CERTIFICATE OF CONFORMITY CE**  
**KONFORMITÄT SERKLÄRUNG CE**

Overensstemmelseserklæring for EU-Importør  
Certificate of conformity for EU-Importer

**F&H Com A/S**  
**Gl. Kattrupvej 4**  
**8751 Gedved**  
**Denmark**

erklærer hermed at følgende produkt:  
here with declares that the product:

**Product: EL-rygsprøjte 16L – Electric Spayer 16L – Art: 10413**

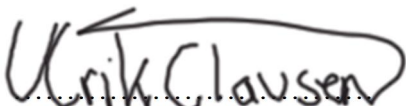
er i overensstemmelse med bestemmelserne i følgende EF direktiv(er)  
is in conformity with the provisions of the following EC directive(s)

**2006/42/EC (Machinery)**  
**2014/35/EU (Low Voltage)**  
**2014/30/EU (Electromagnetic Compatibility)**

og produktet er i henhold til følgende standarder og/eller tekniske specifikationer:  
and the product is according to following standards and/or technical specifications:

EN ISO 12100: 2010, EN ISO 19932-2:2013  
EN ISO 19932-1:2013  
EN60204-1: 2006+A1: 2009 + AC:2010  
EN IEC 61000-6-2:2019  
EN61000-6-4:2007/A1:2011

Date: 10.02.2020



Ulrik Clausen  
Managing Director  
F&H Com A/S