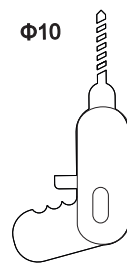
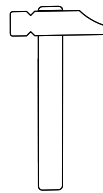
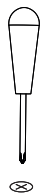
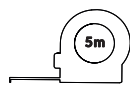
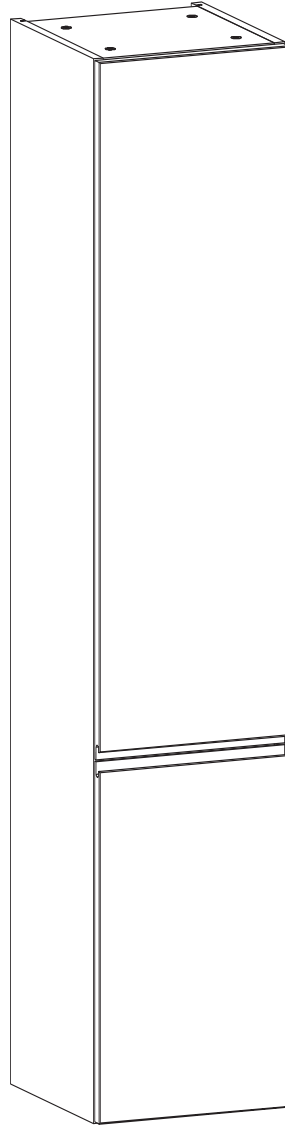
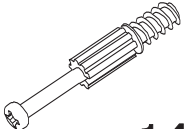
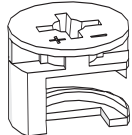
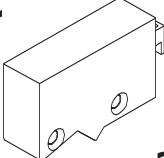
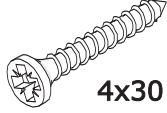
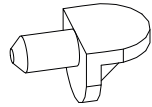
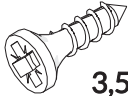
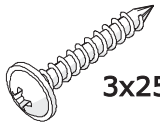
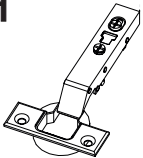
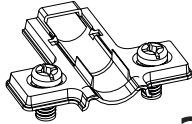
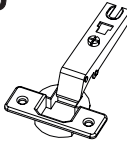
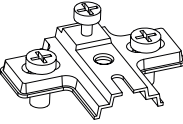

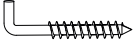
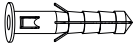
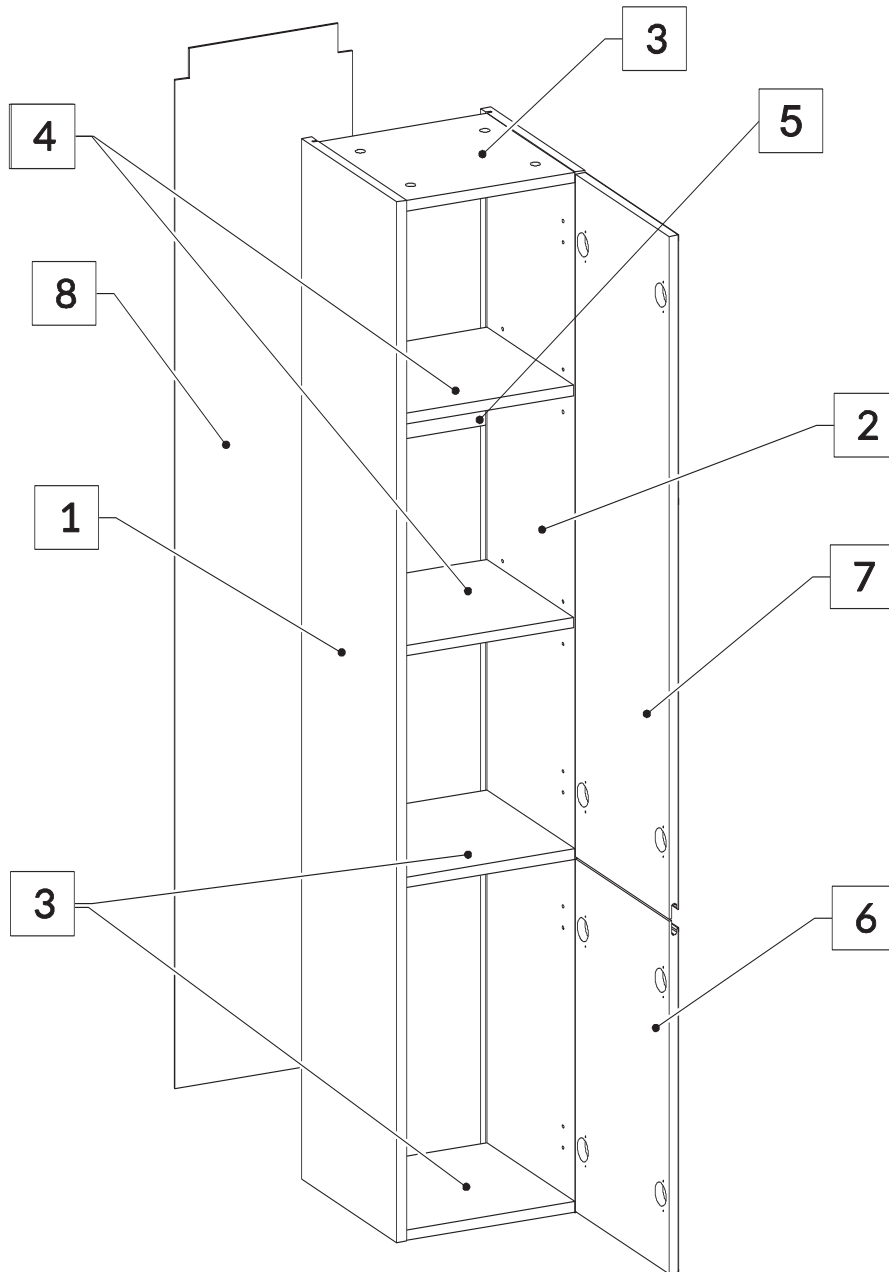
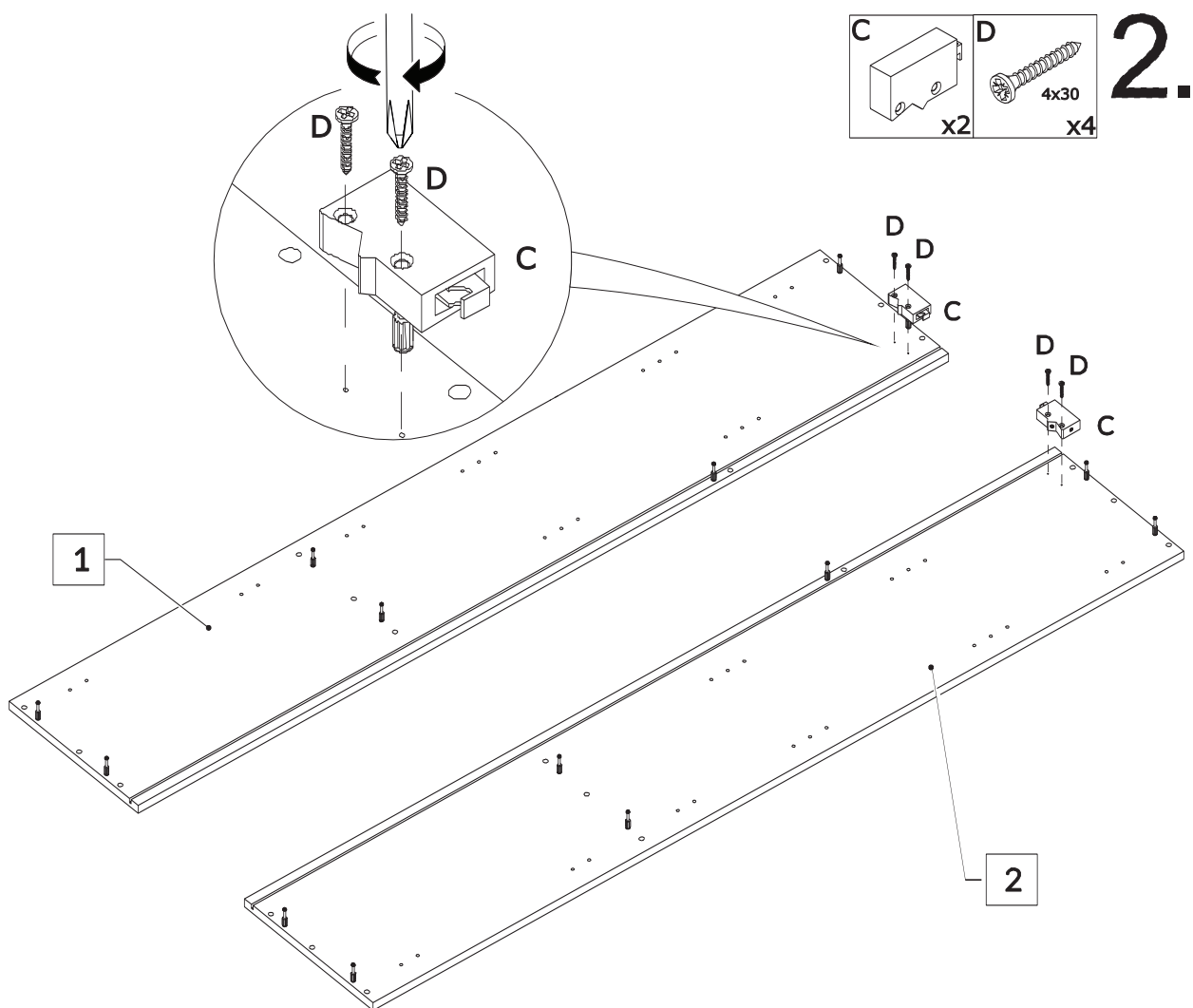
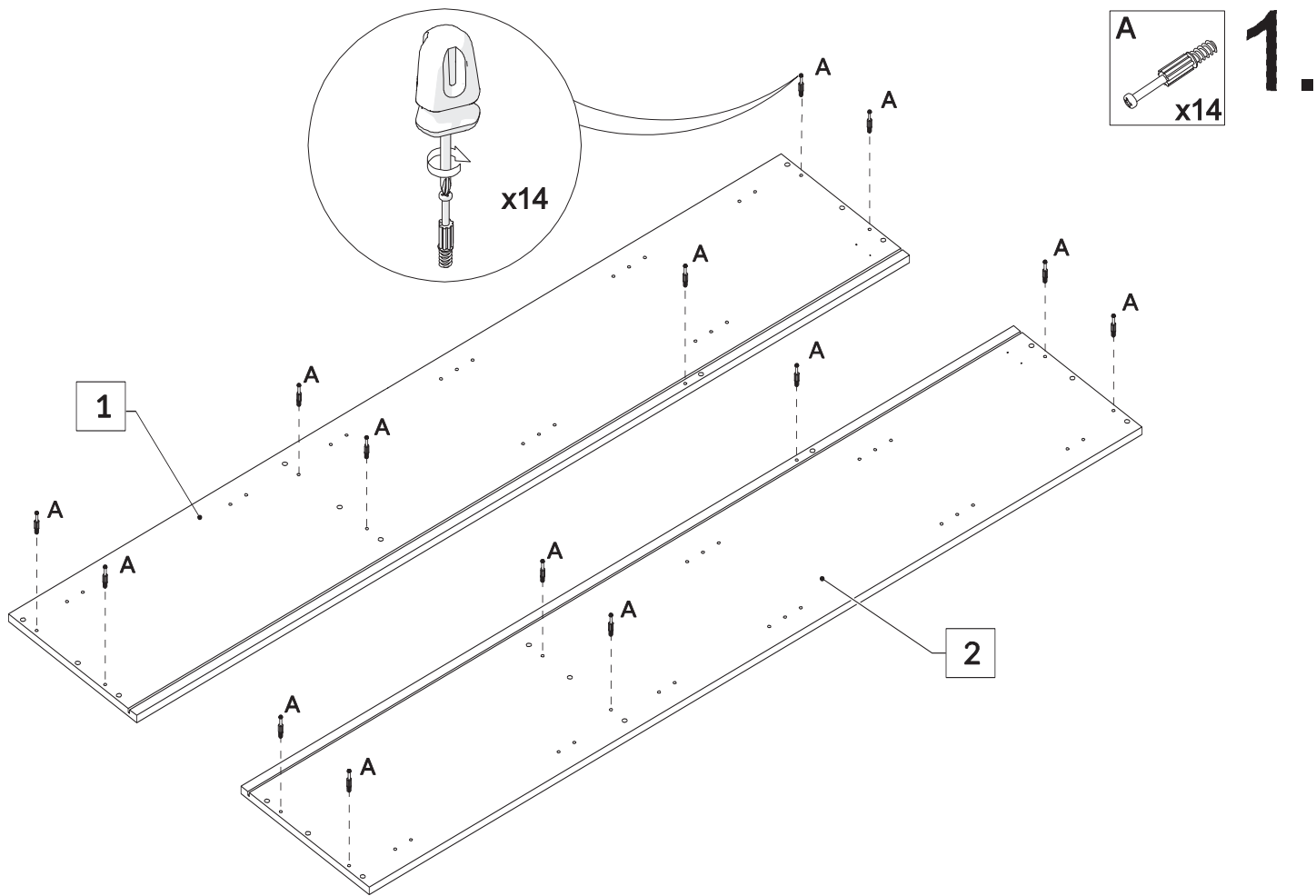


BathZone DeLuxe

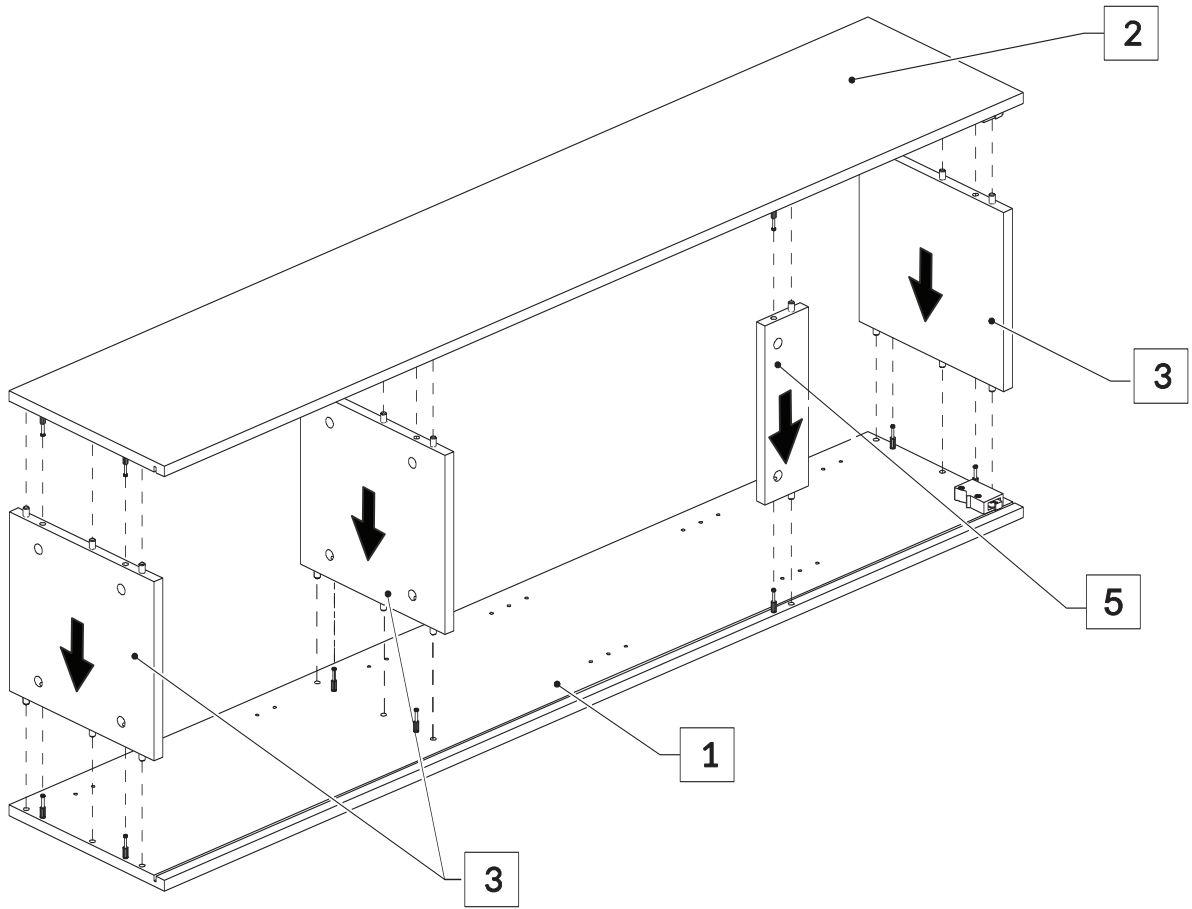


A  x14	B  x14	C  x2	D  4x30 x4	E  x8	F  3,5x16 x8
G  3x25 x9	H  x2	I  x2	J  x2	K  x2	L  x4
M   x2					

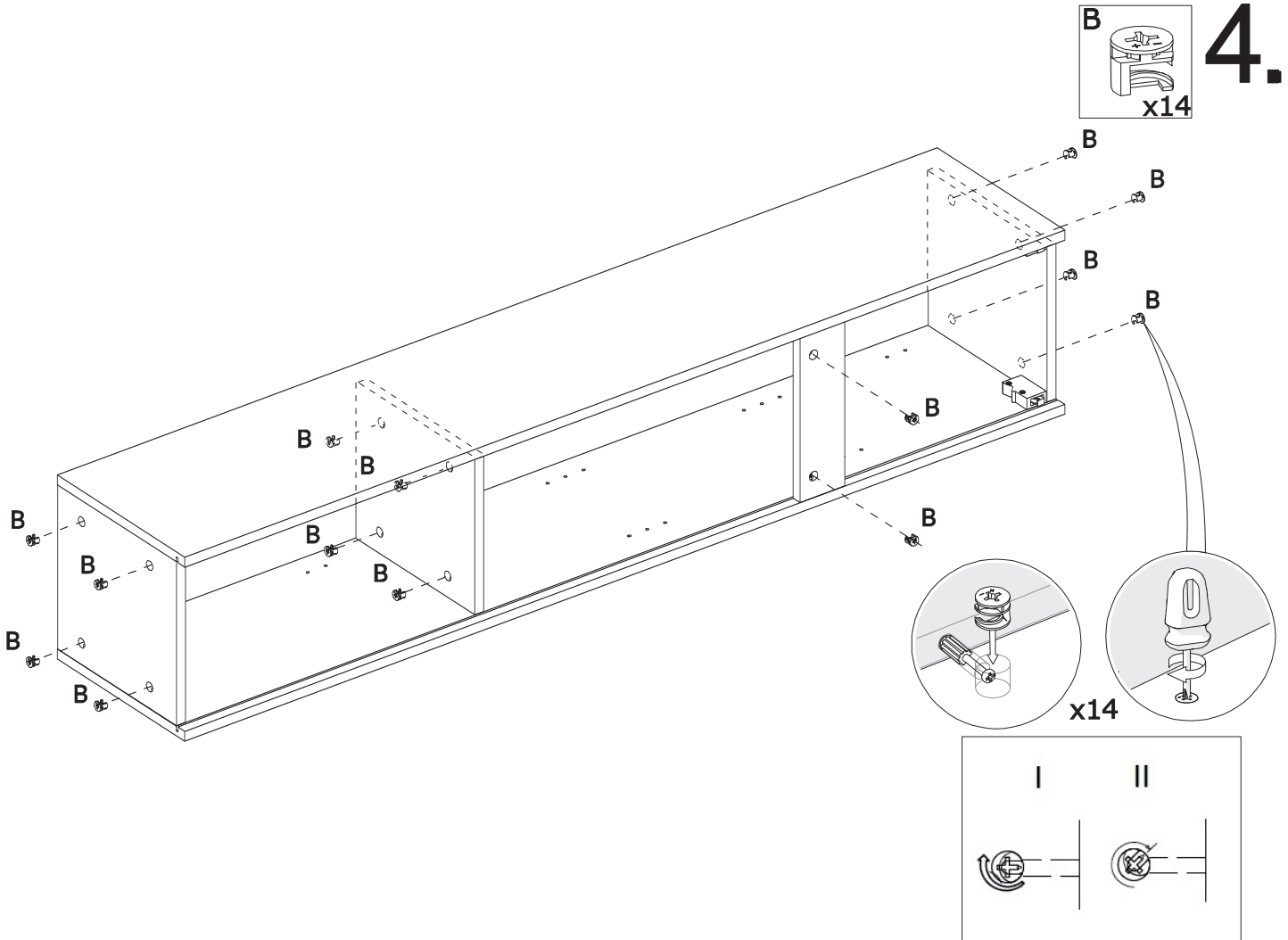




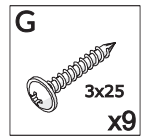
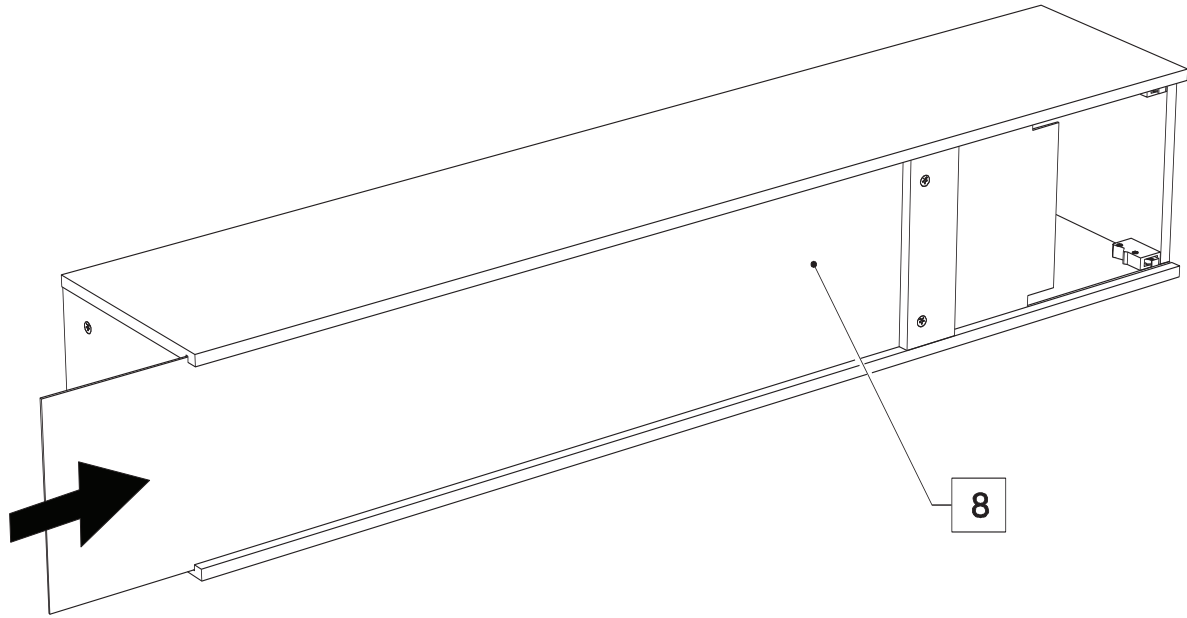
3.



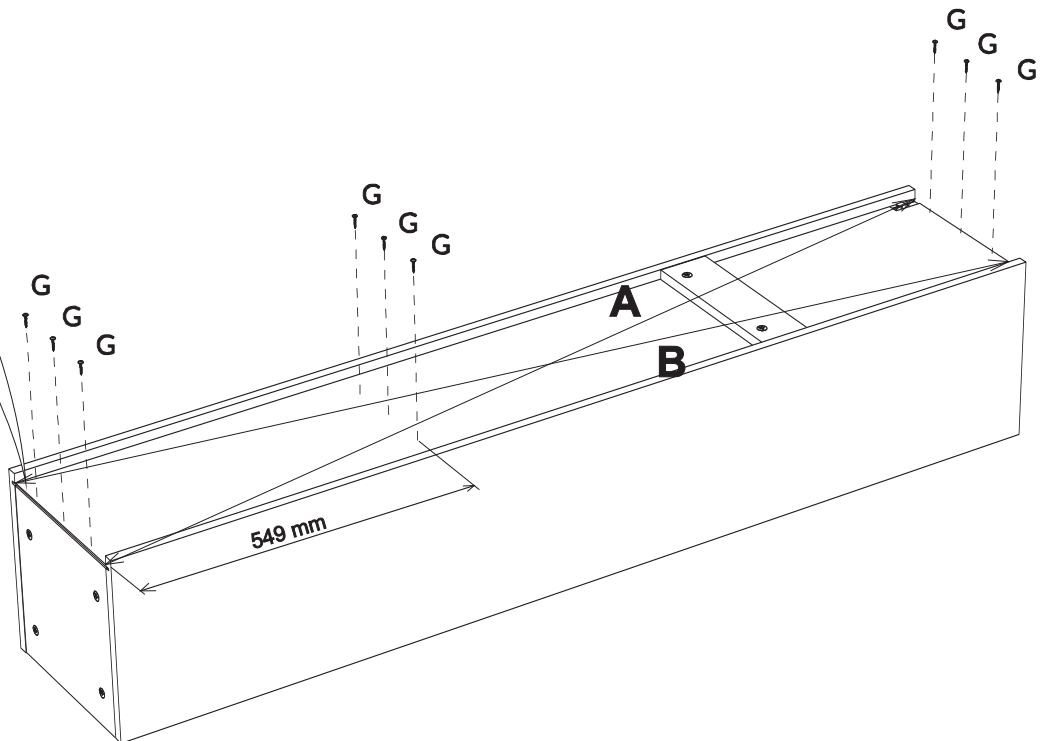
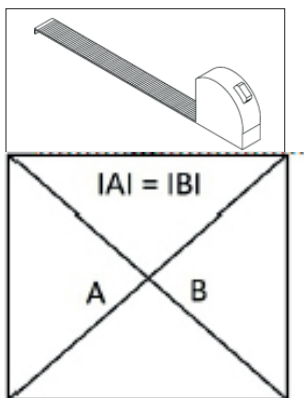
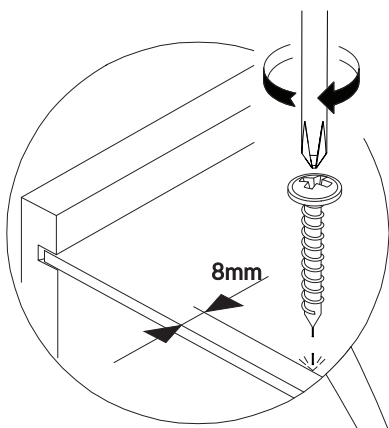
4.

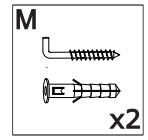
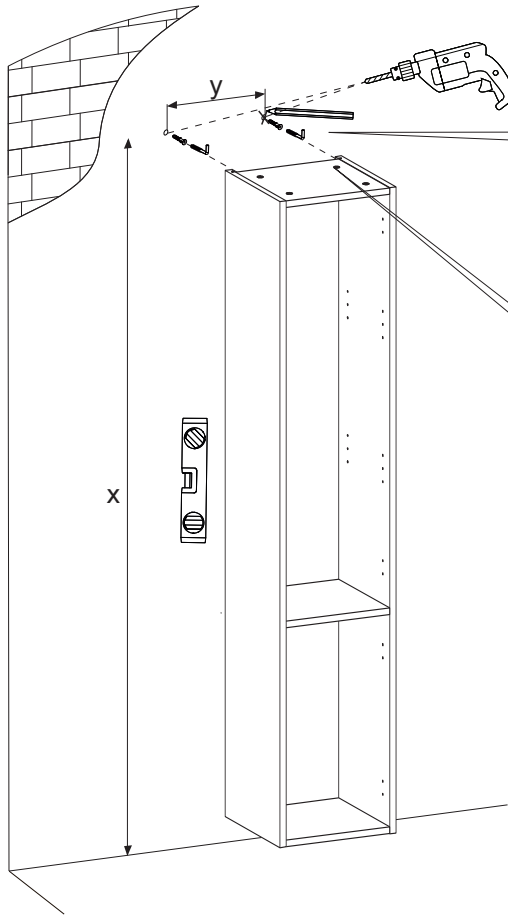


5.

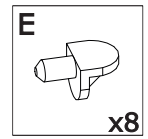
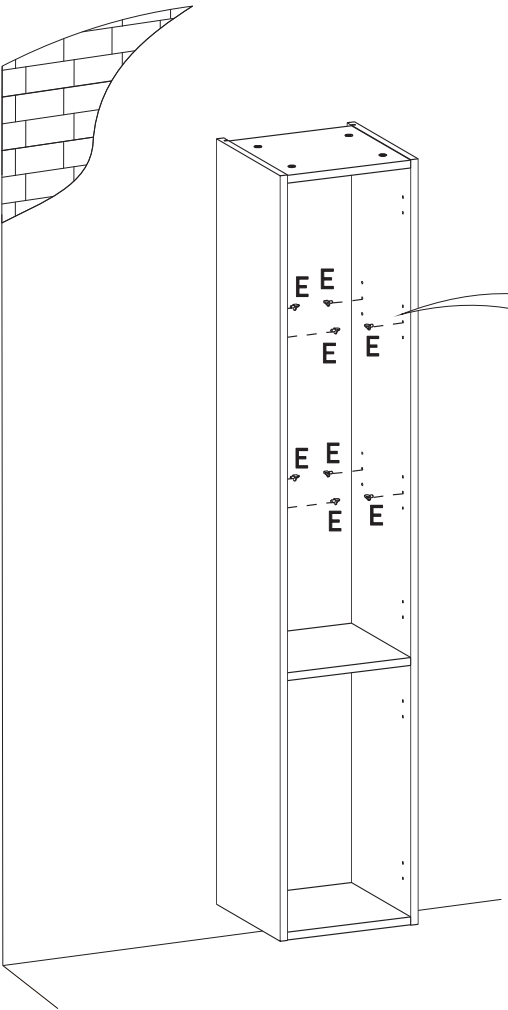
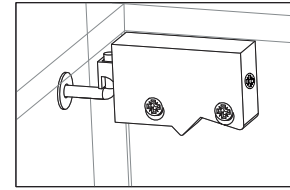
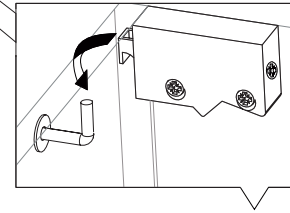
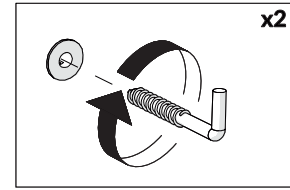
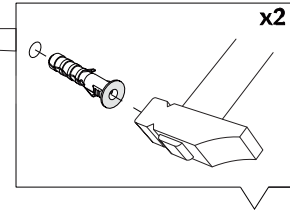


6.



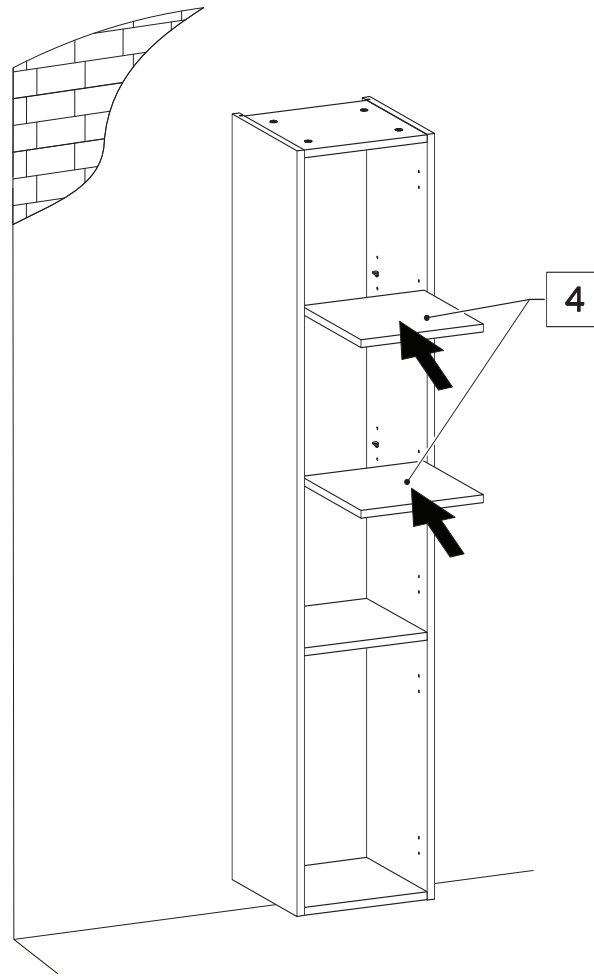


7.

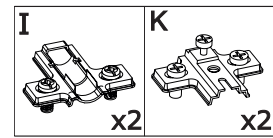


8.

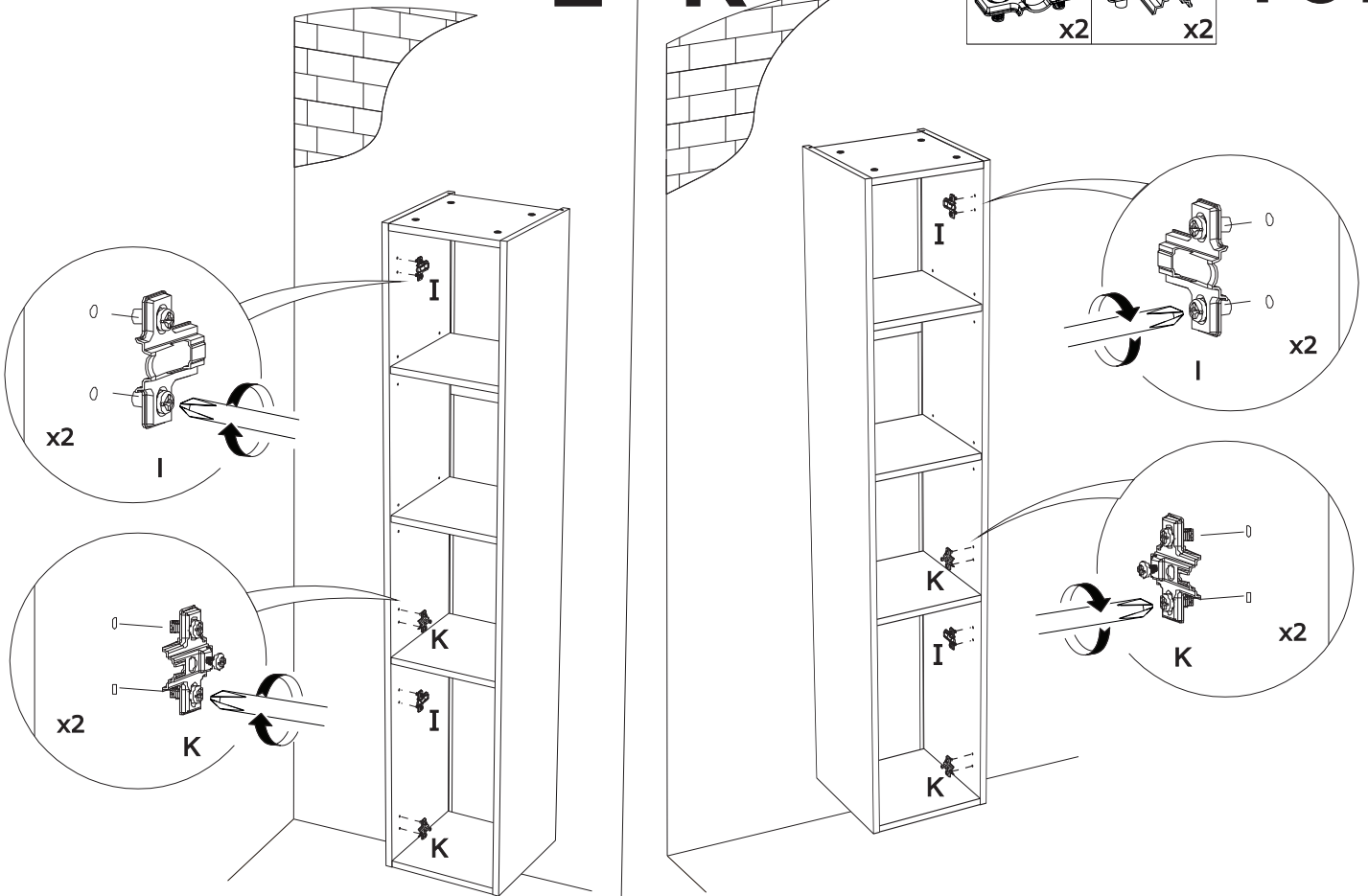
9.

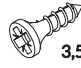





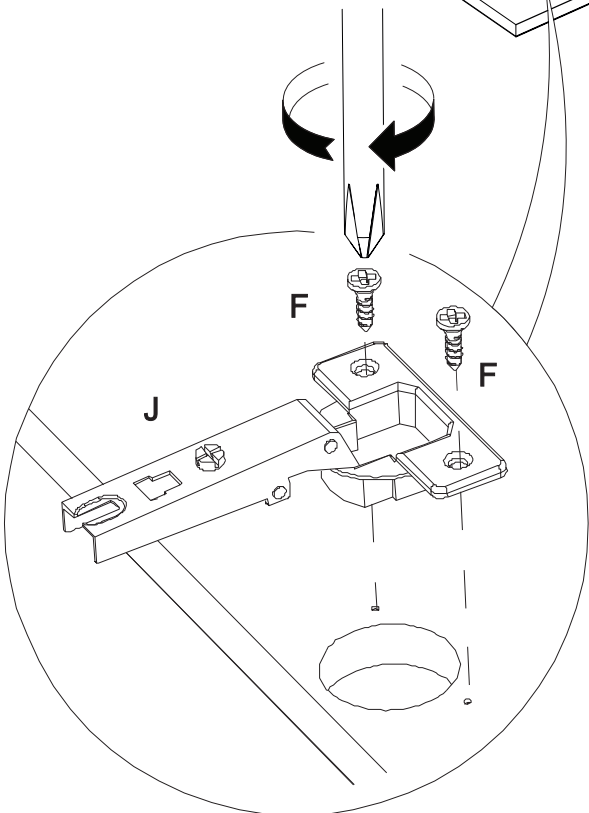
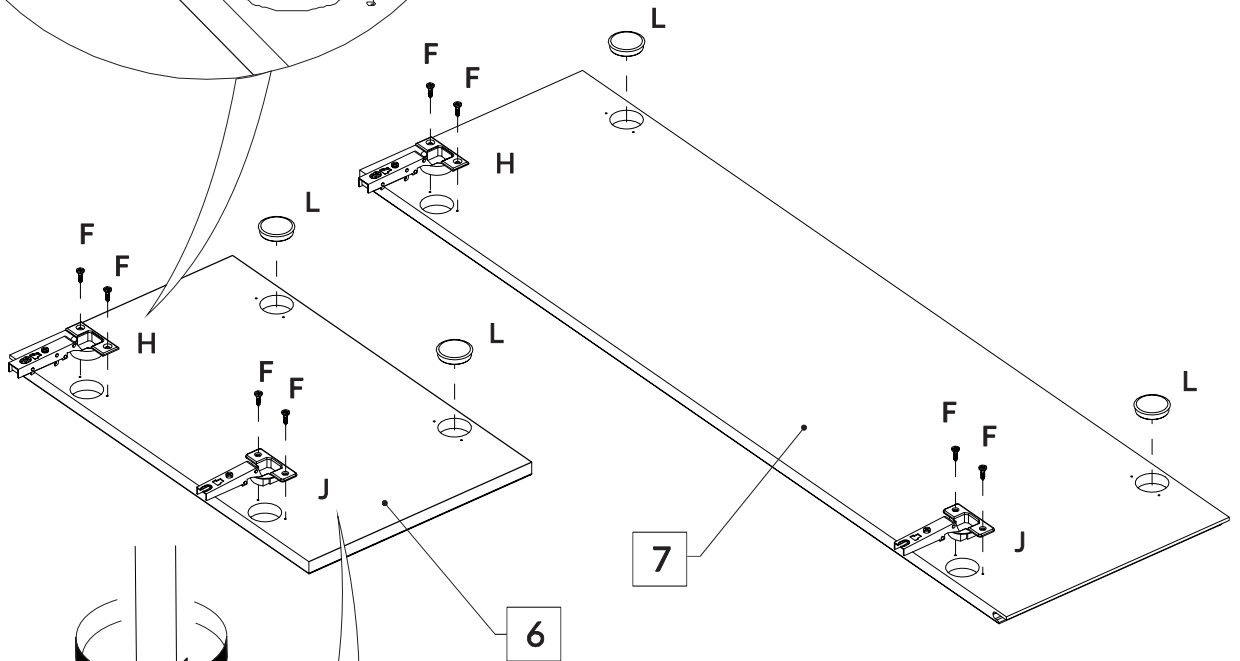
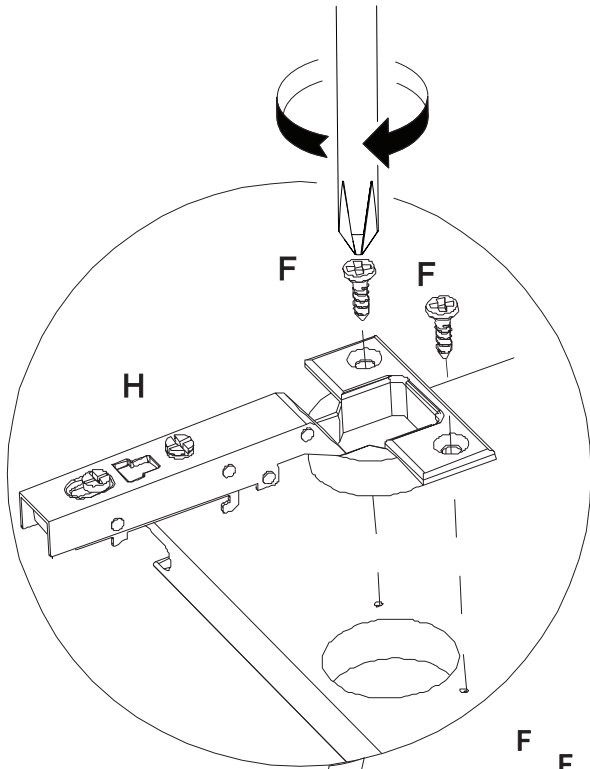
L R



10.

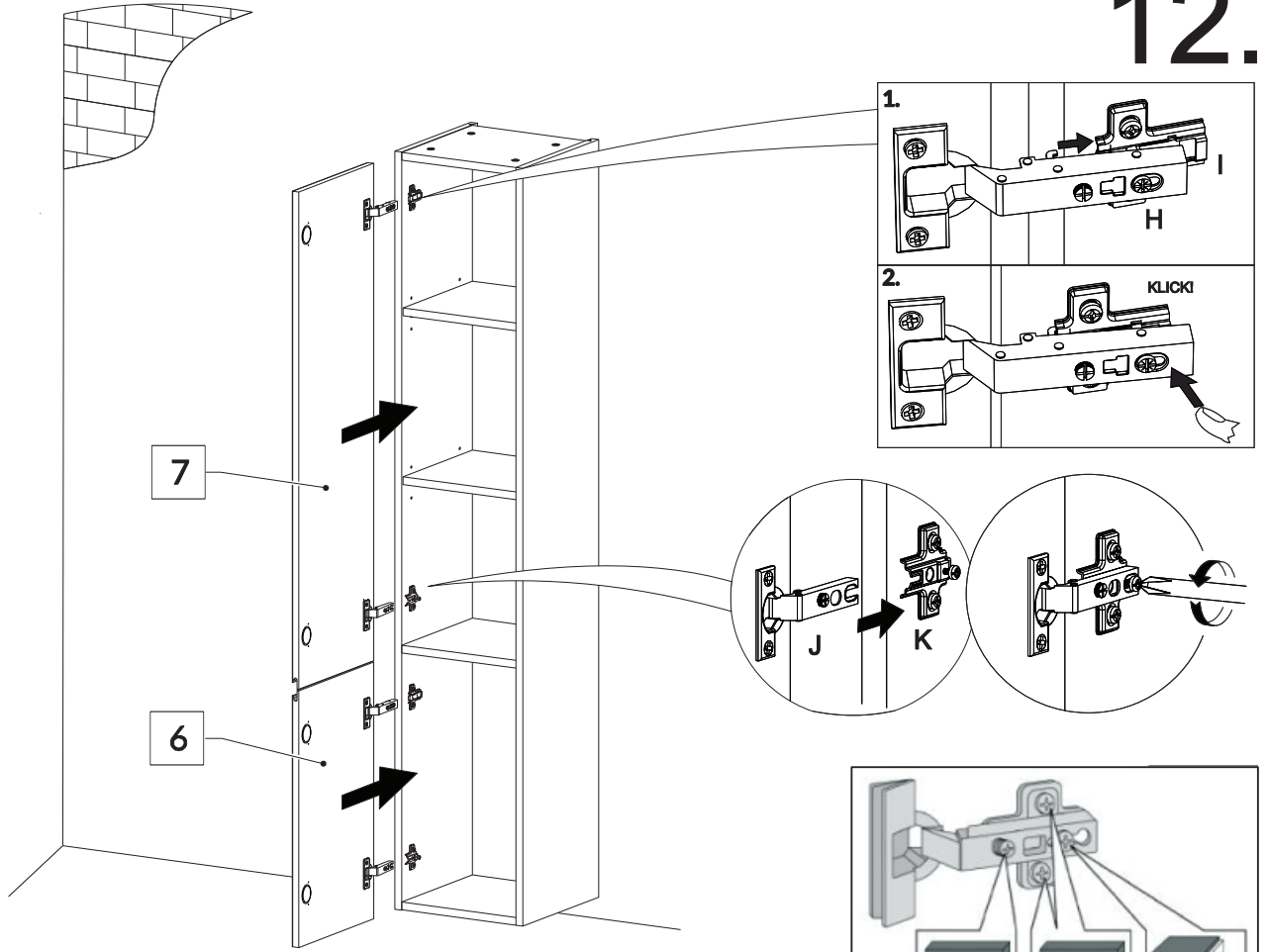


F  3,5x16 x8	H  x2	J  x2	L  x4
---	---	--	---



L

12.



R

