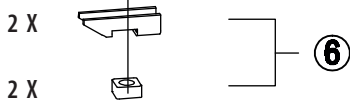
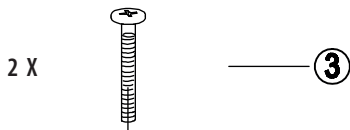
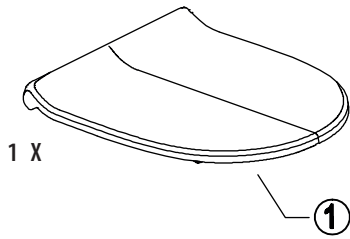
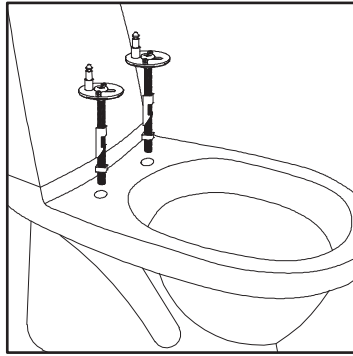


# Content

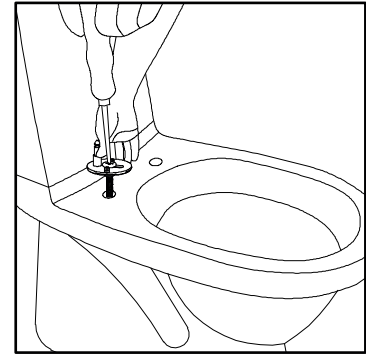


# Installing Your New ScanSeat Toilet Seat

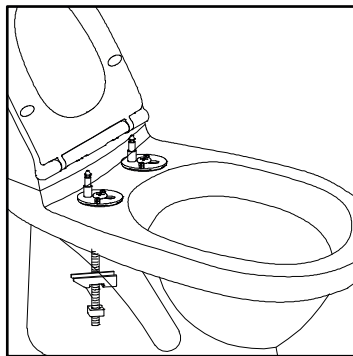
please read the manual carefully before installing the toilet seat



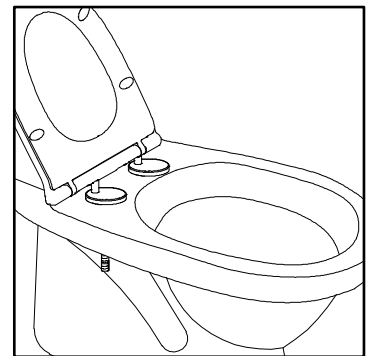
Assemble the bolts and hinges and insert them into the mounting holes in the toilet



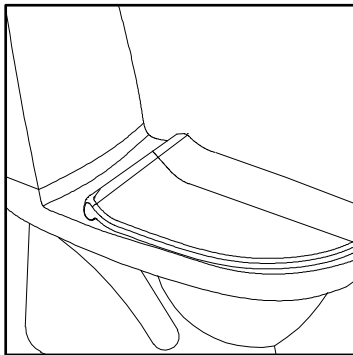
Lift up the hinge base and tighten the screws loosely with a screwdriver



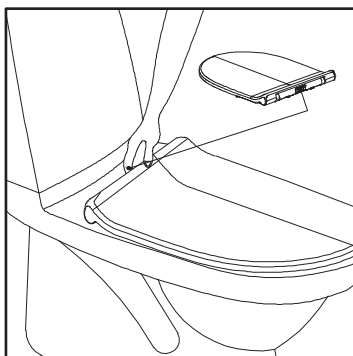
Position the locking bolt correctly  
Click the seat onto the hinges  
Close the seat and adjust to desired position, then open and remove the seat



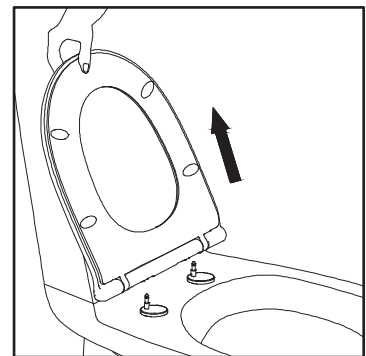
Tighten the bolts firmly and make sure the nut is positioned correctly  
Remove the seat and place the cover cap on the hinge base and press in place  
Click the seat back into place



Enjoy your new quality toilet seat.



Easy push



Easy lift