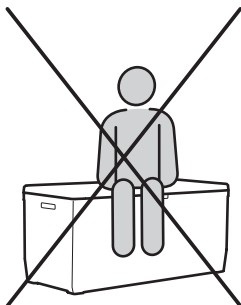
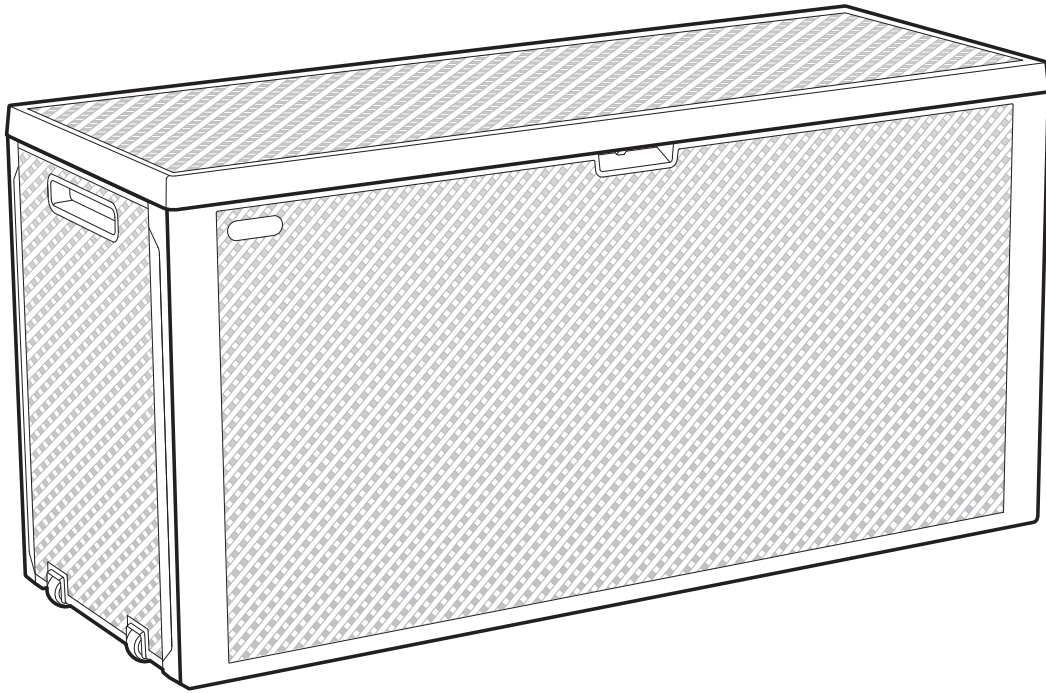
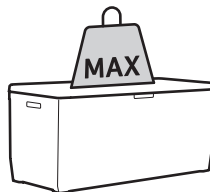


KETER® Create amazing spaces™

EMILY 73 US GAL | 277L

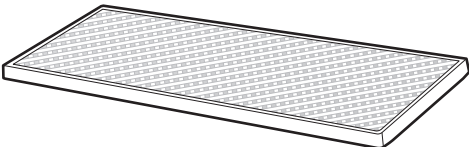
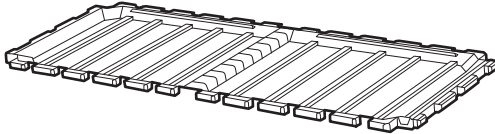
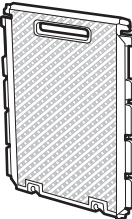
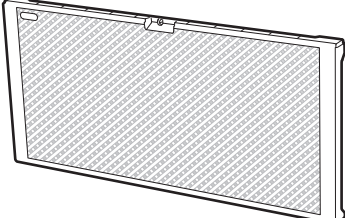
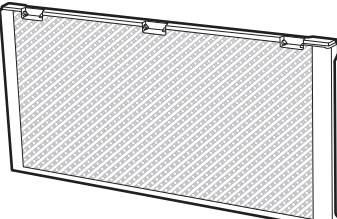



80 Kg
176 Lb



20 Kg
44 Lb



 <p>NOC (X1)</p>	 <p>NOF (X1)</p>	 <p>NOS (X2)</p>
 <p>NOA (X1)</p>	 <p>NOB (X1)</p>	 <p>NW (X2)</p>



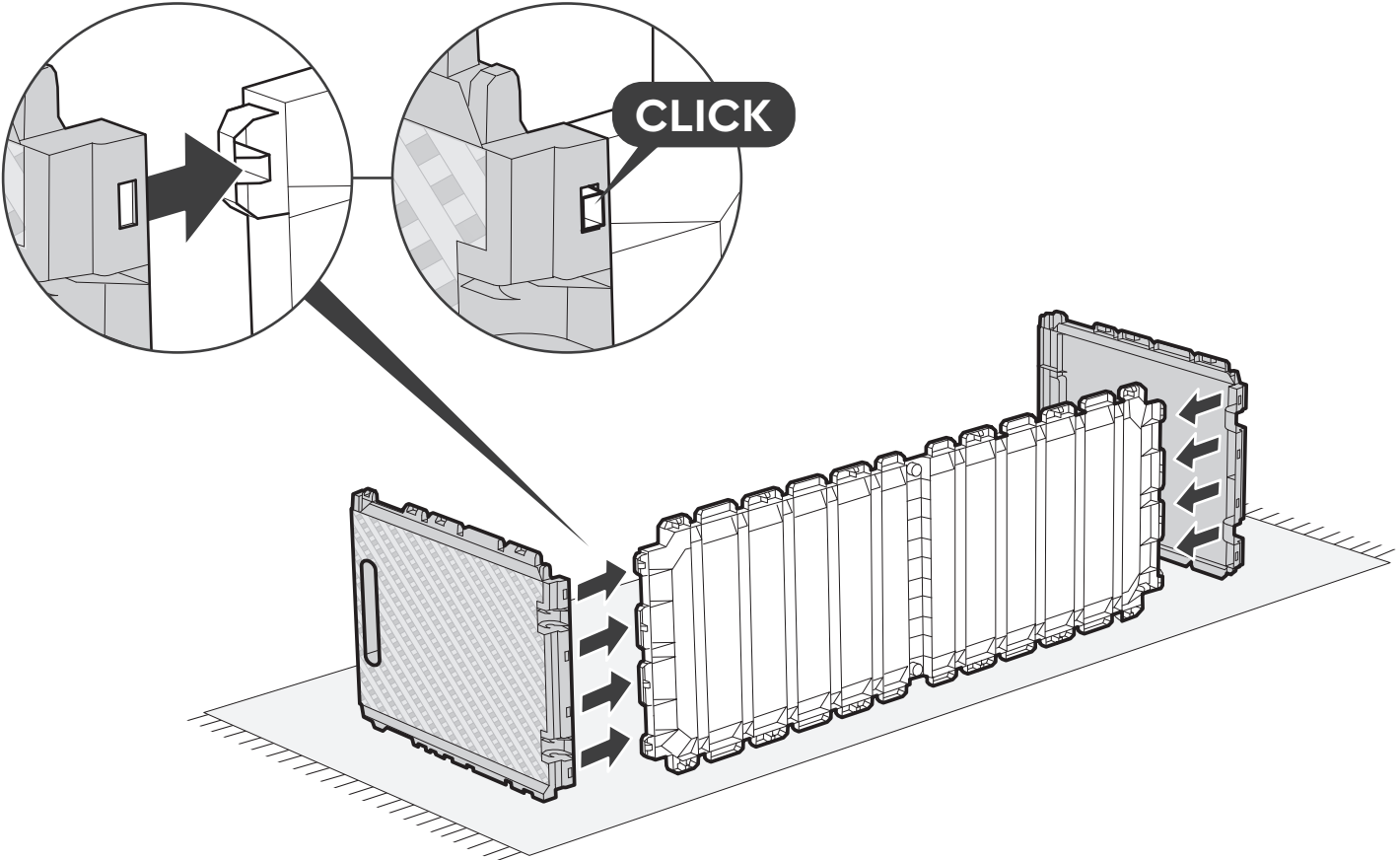
1



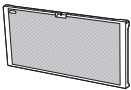
NOS (x2)



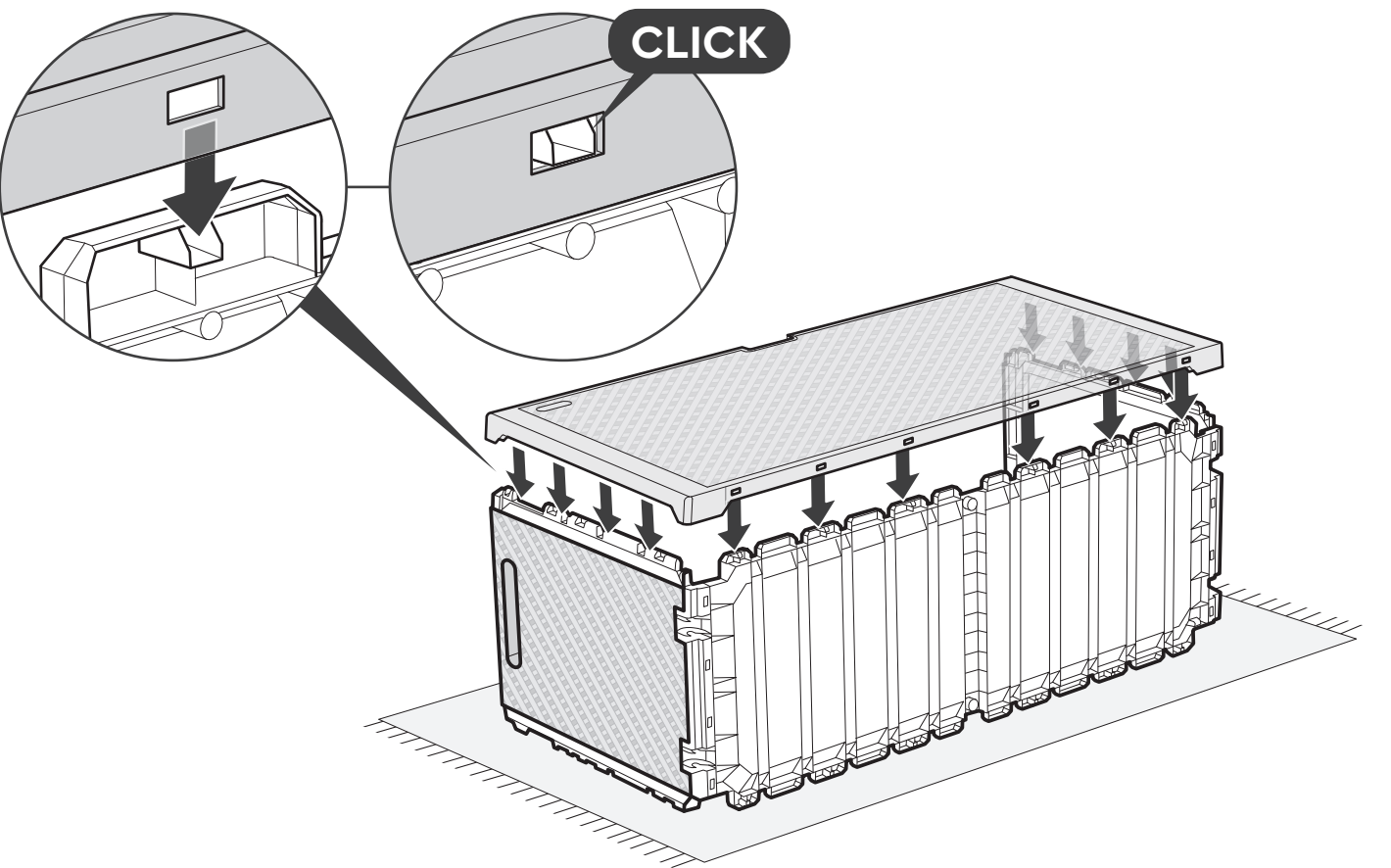
NOF (x1)



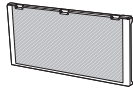
2



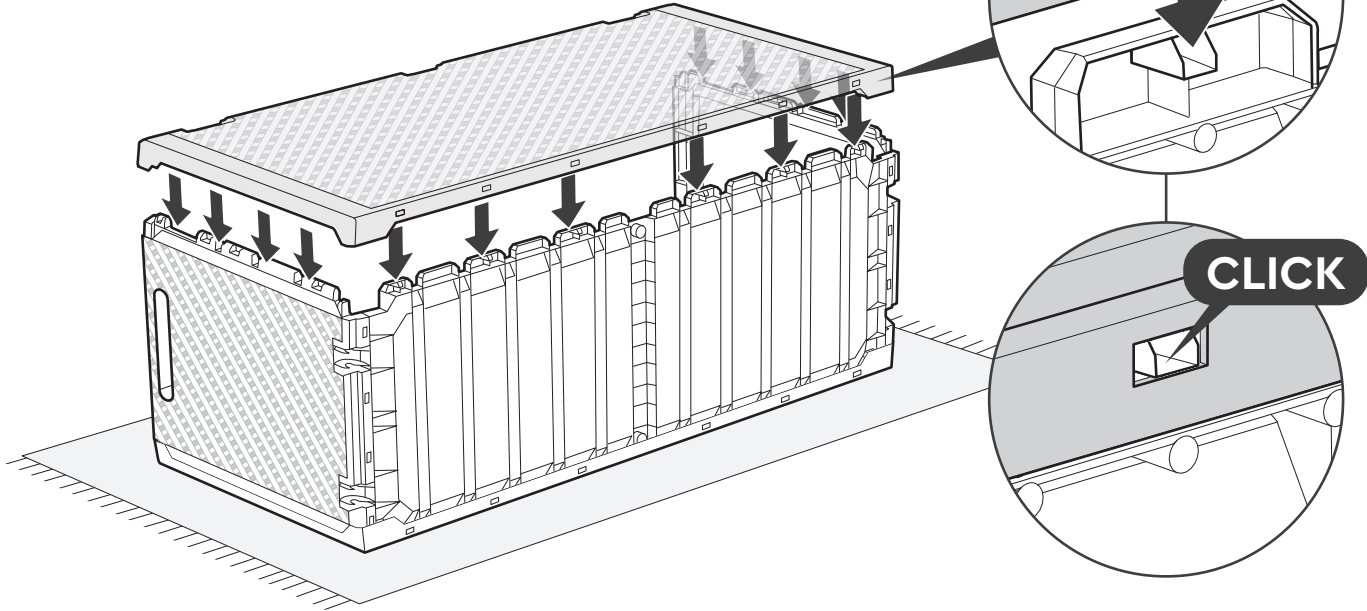
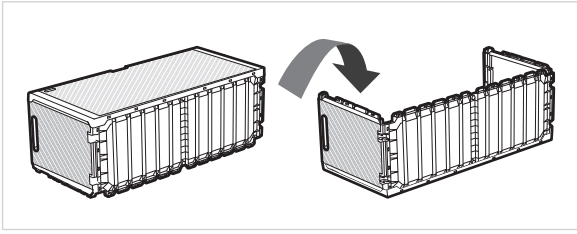
NOA (x1)



3



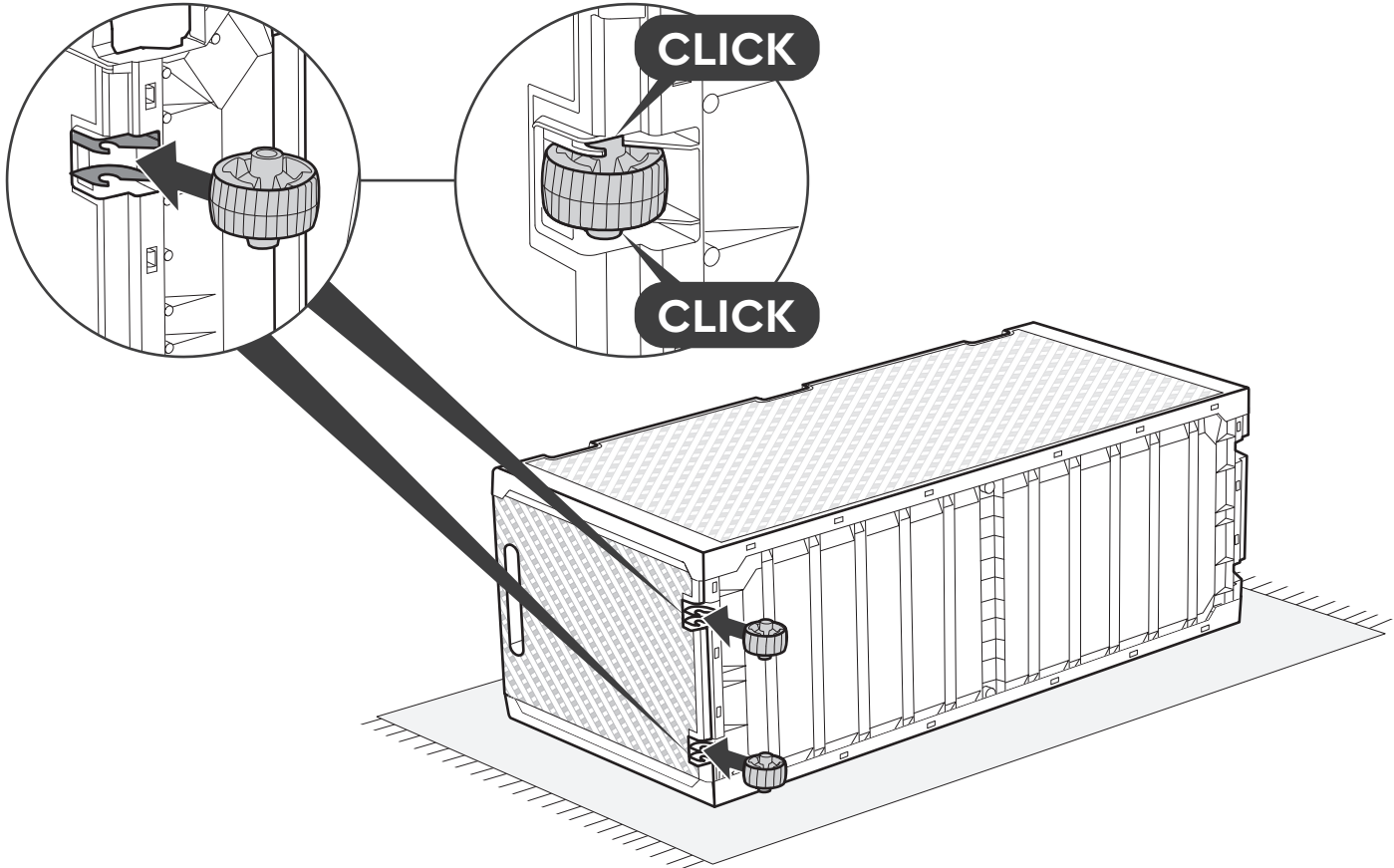
NOB (x1)



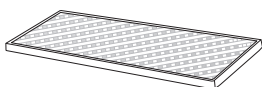
4



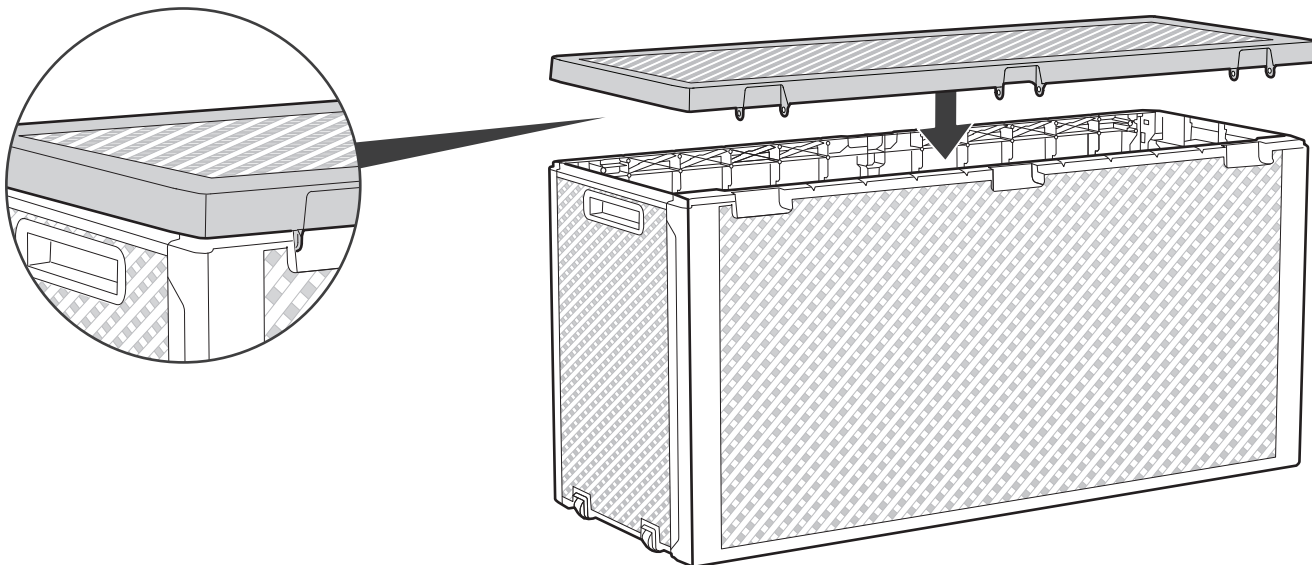
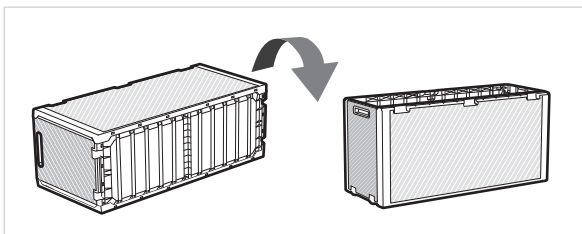
NW (x2)



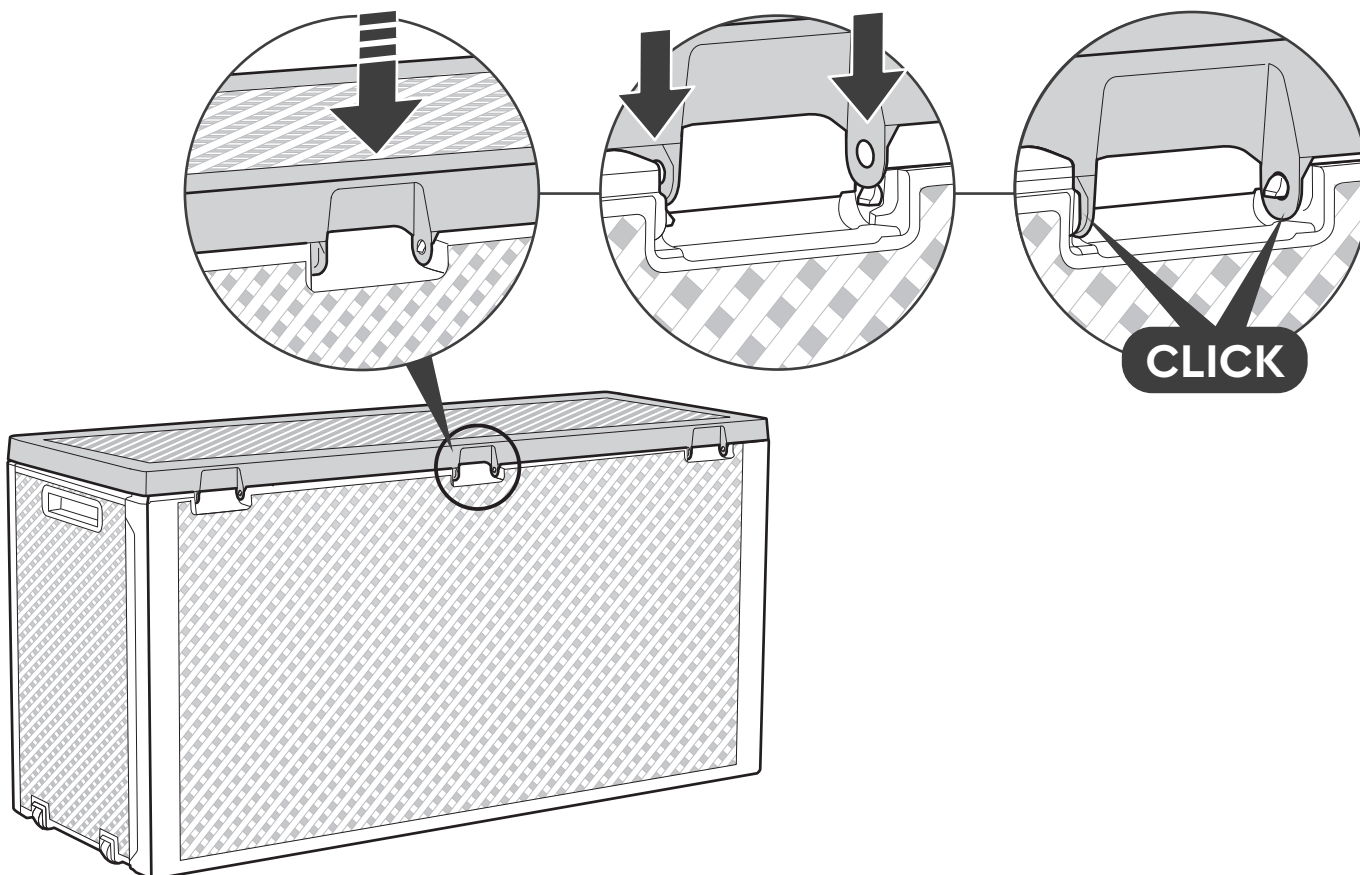
5



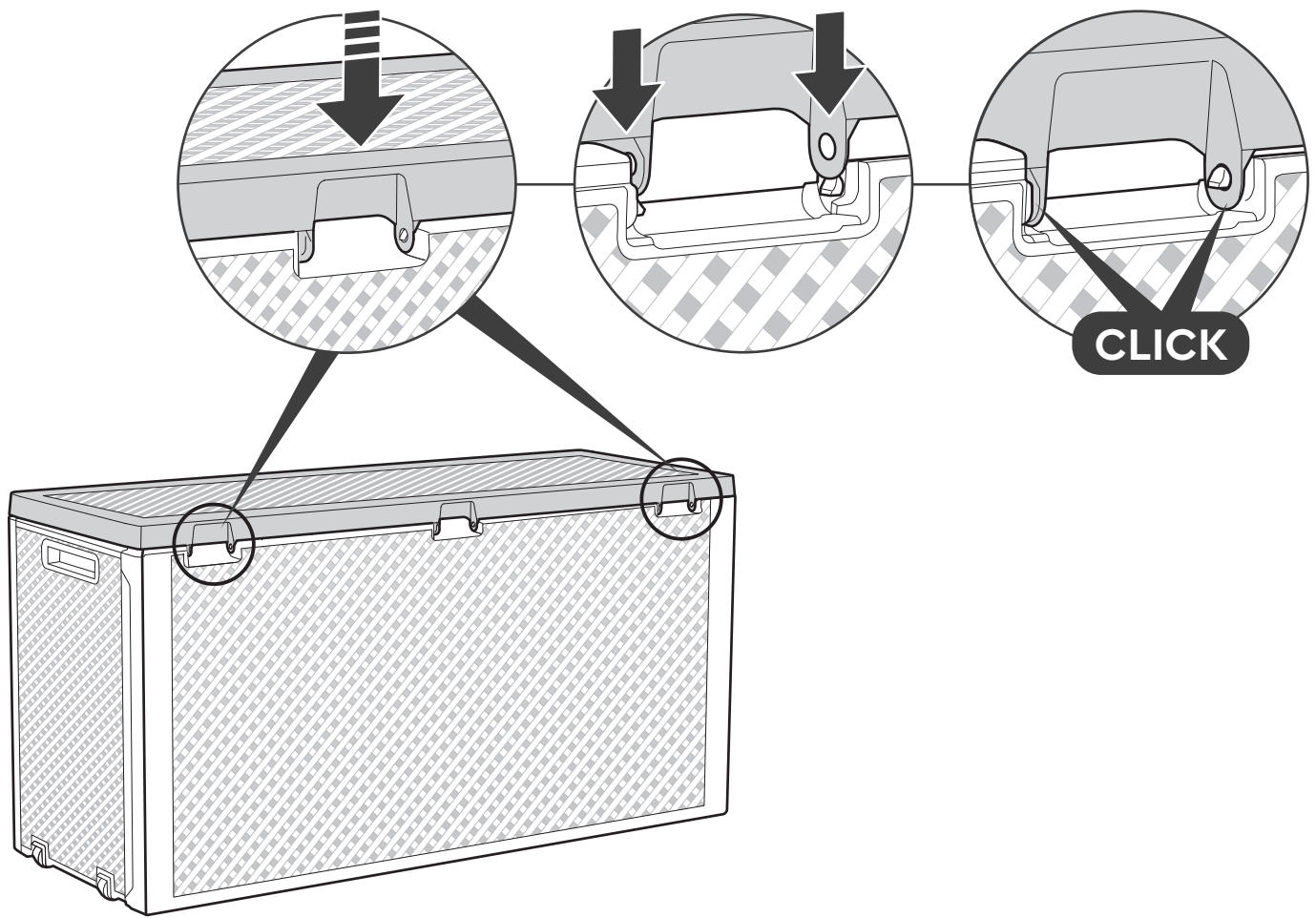
NOC (x1)



6



7



8

