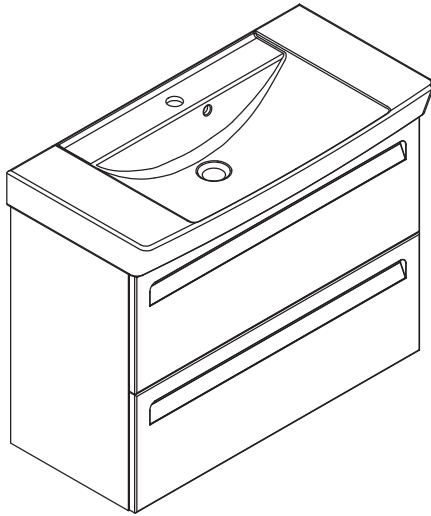
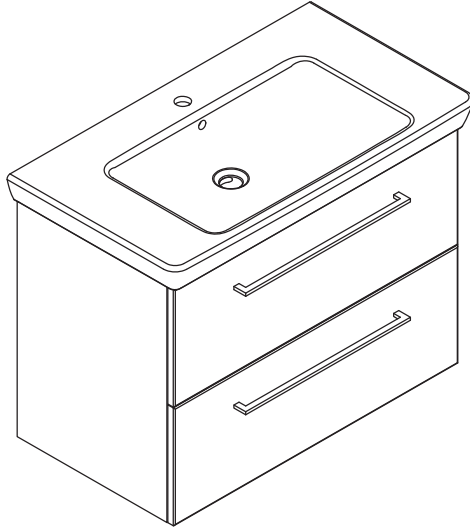




**DANSANI®**

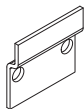


8x



5-500

2x



30010190

8x



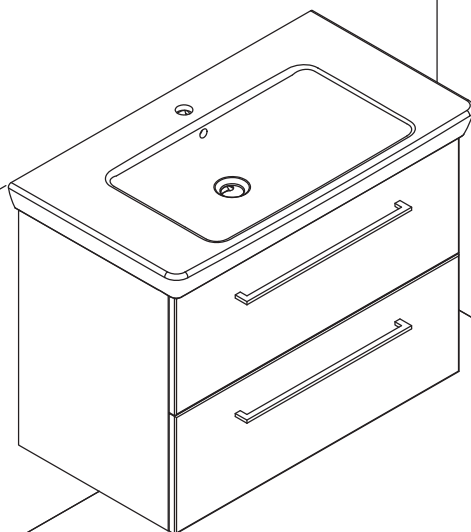
5,0-60SU

8x

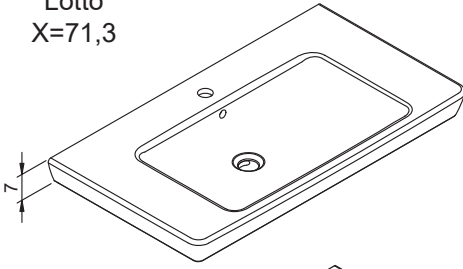


195000000

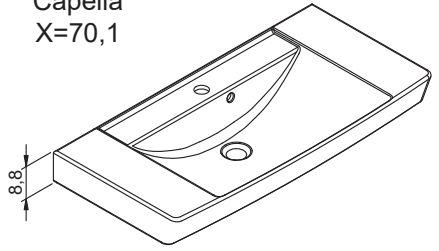
87



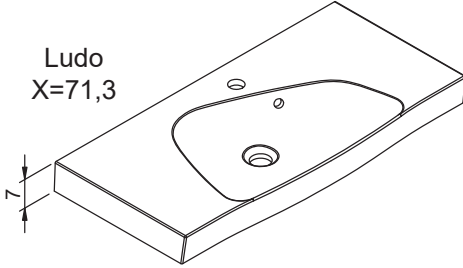
Lotto  
X=71,3



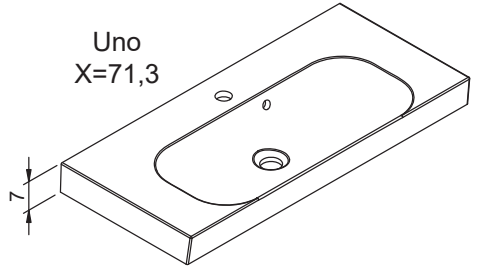
Capella  
X=70,1



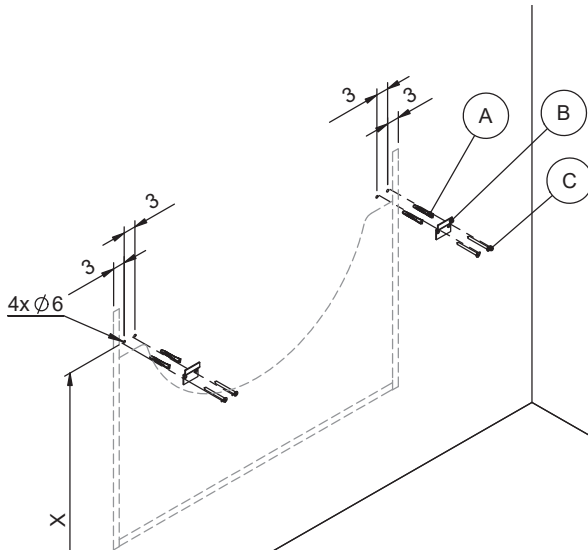
Ludo  
X=71,3

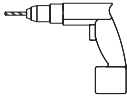

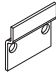



Uno  
X=71,3

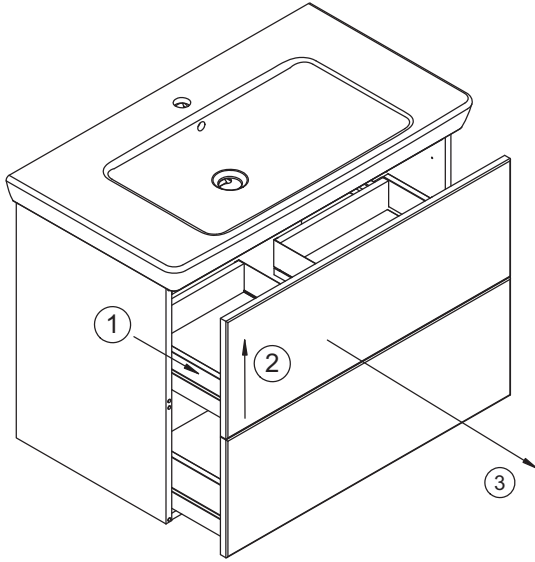


1

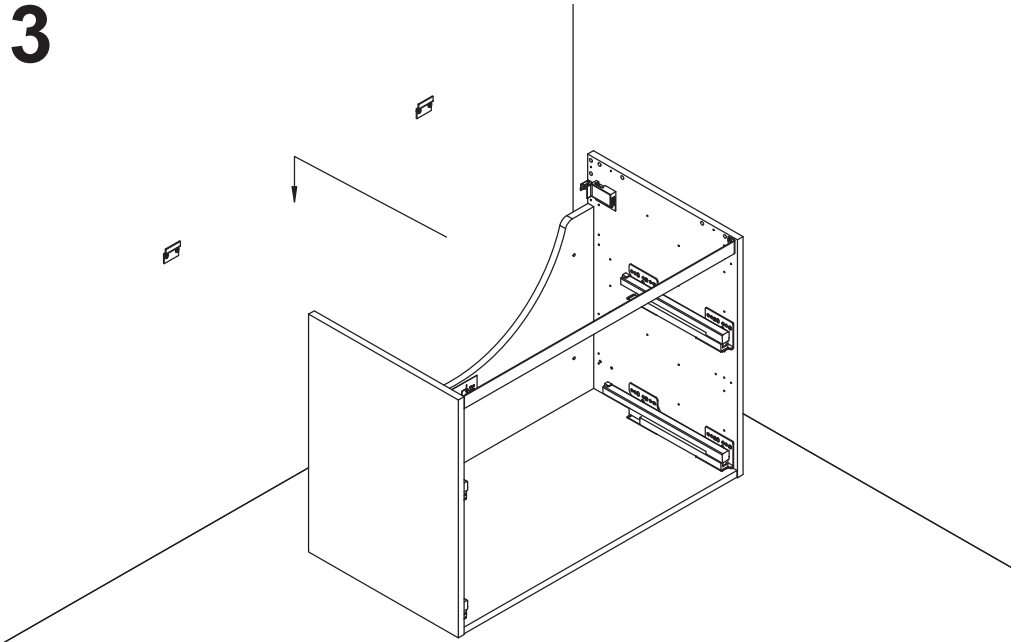


	4x  5-500 A	2x  30010190 B	4x  5,0-60SU C
---	---	--	---

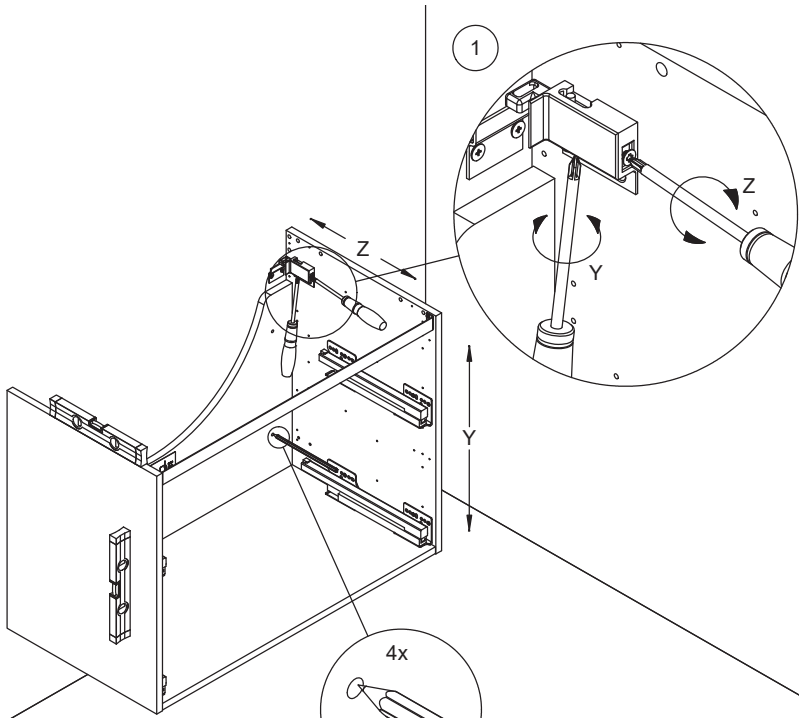
# 2



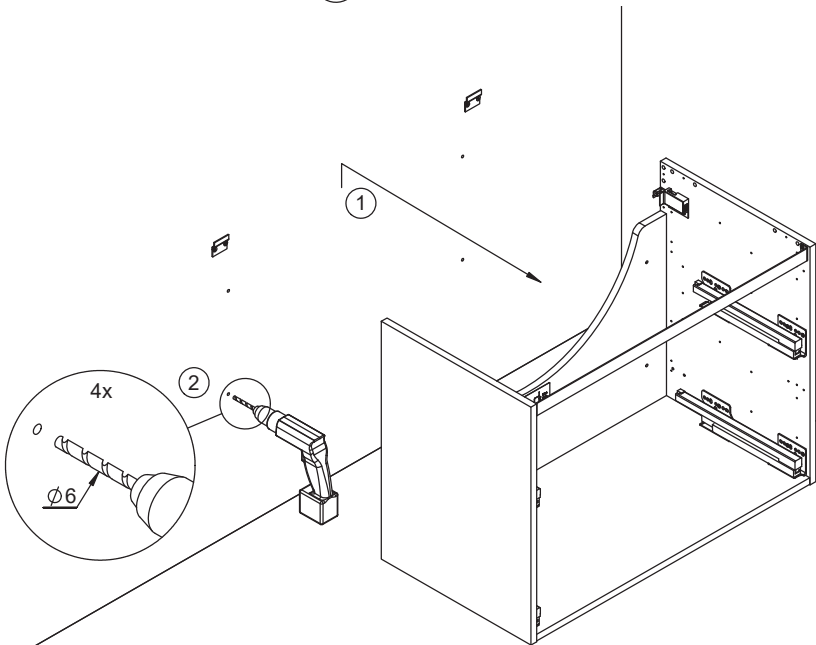
# 3



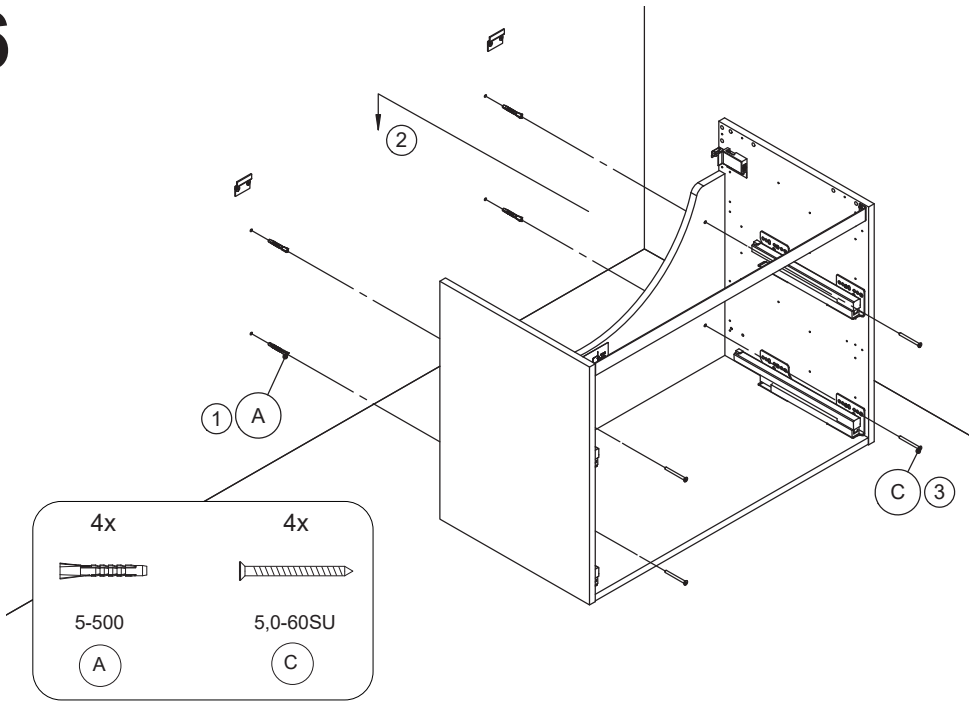
4



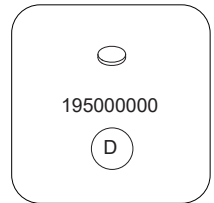
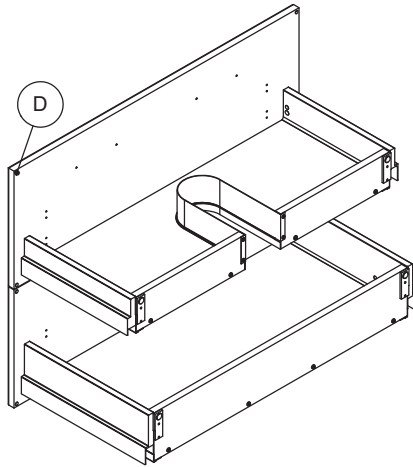
5

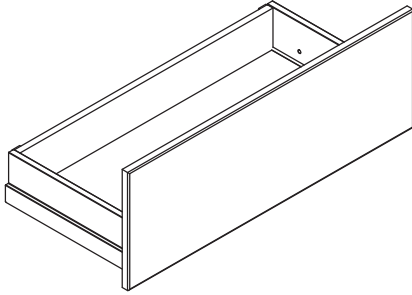


# 6

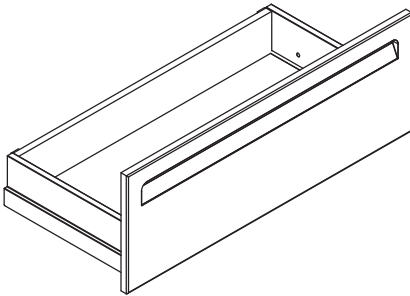


# 7





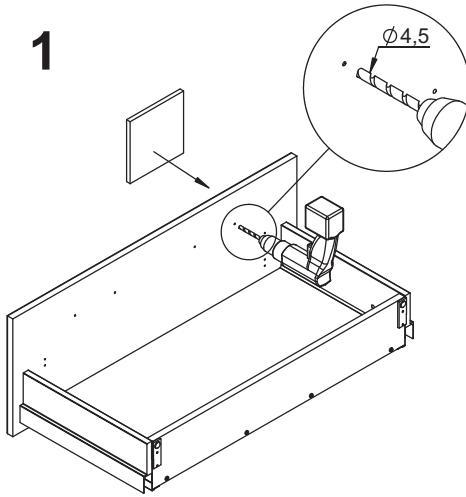
**8**



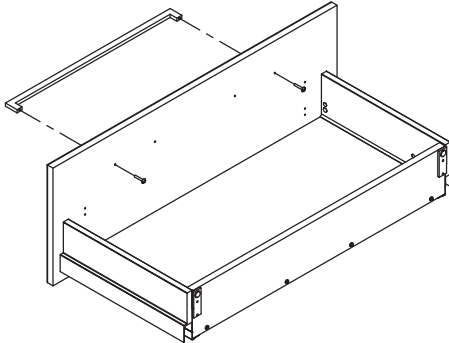
**9**

# 8

1

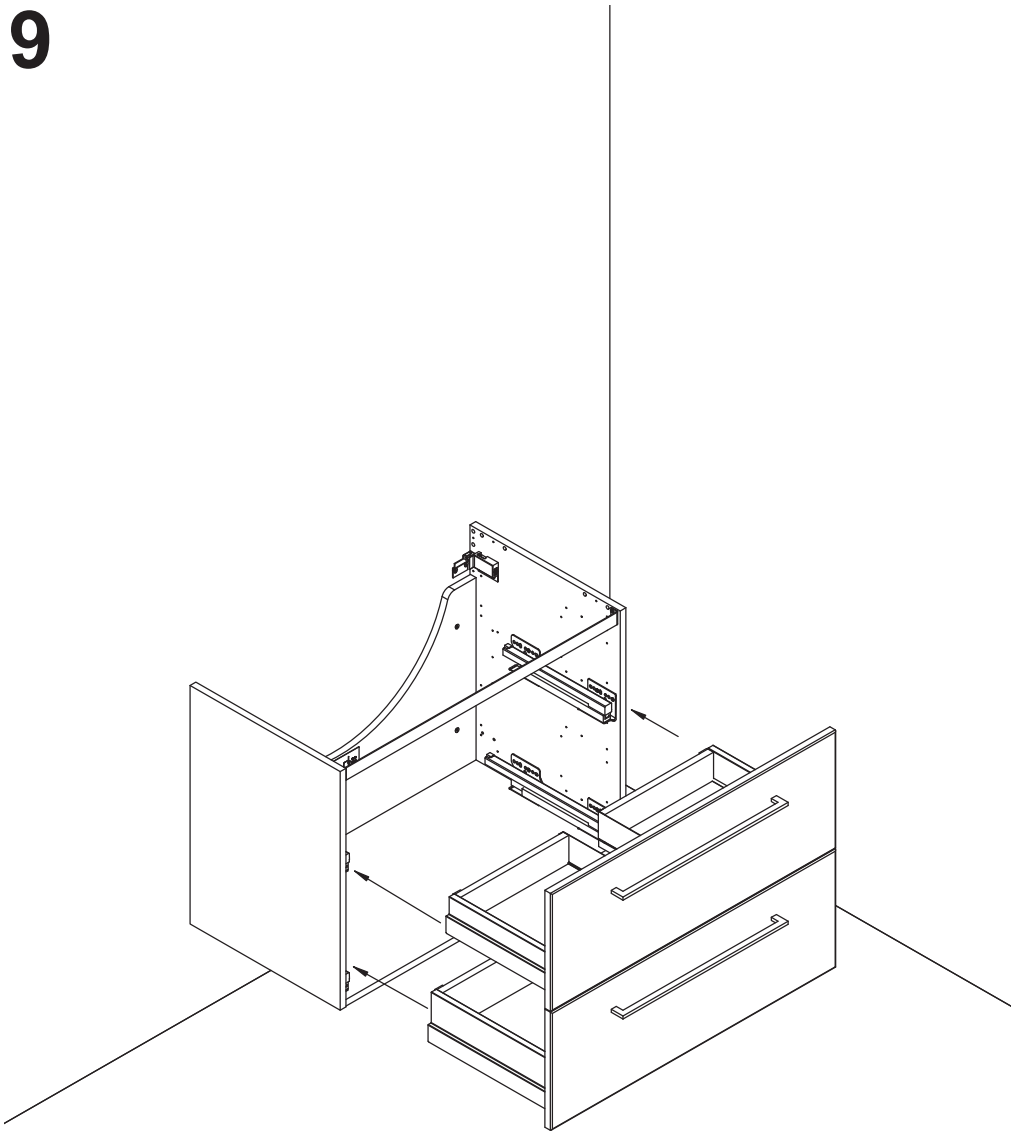


2

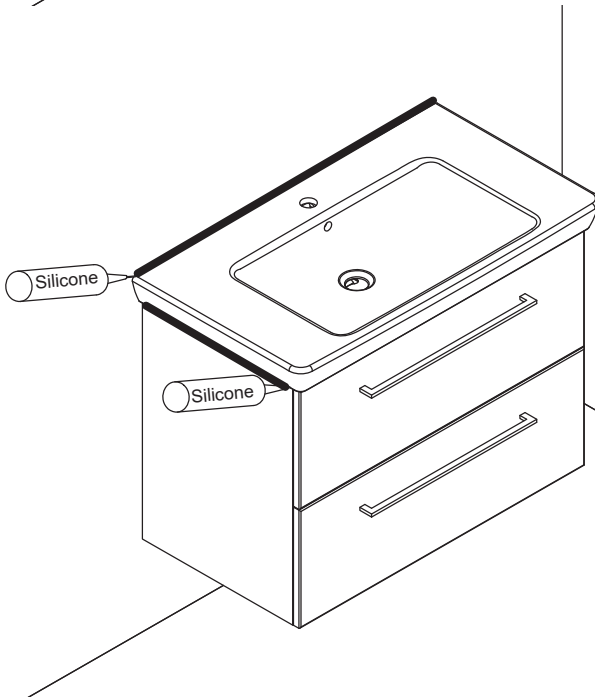
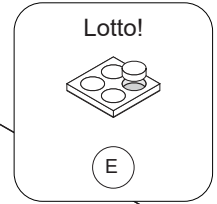
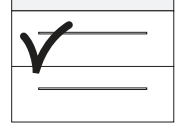
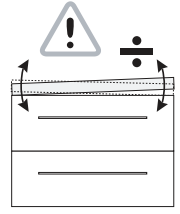
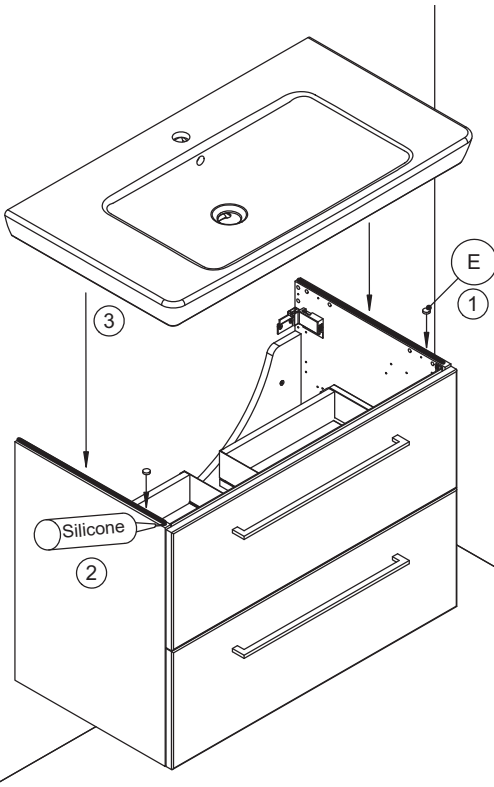




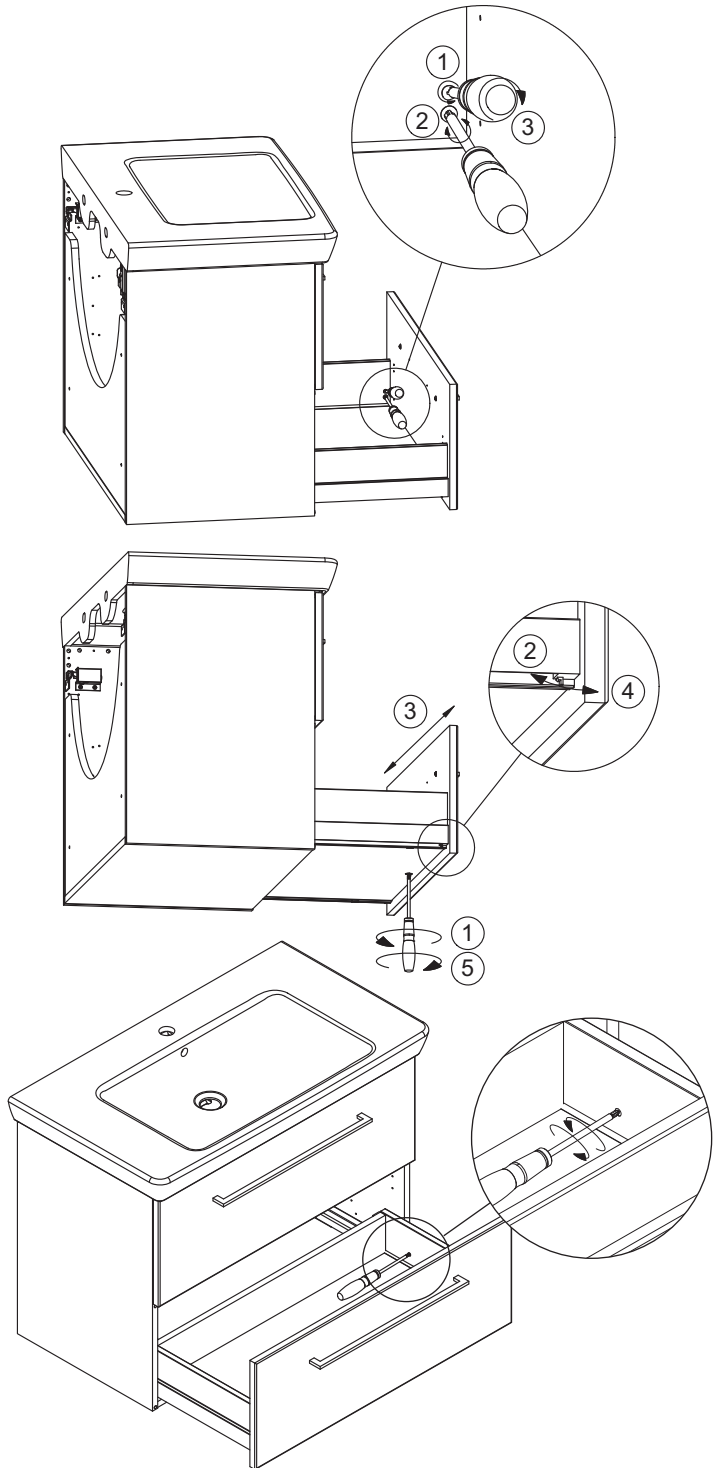
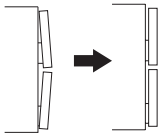
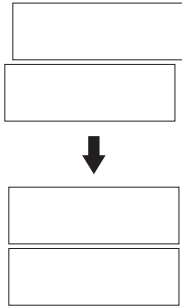
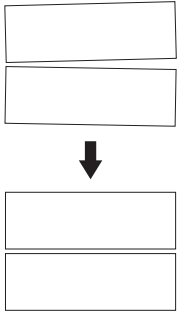
9



# 10



# 11





5 708877 980795