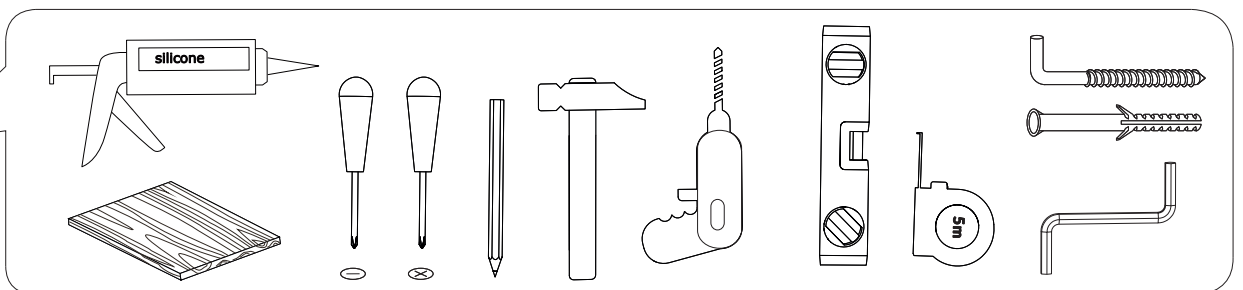
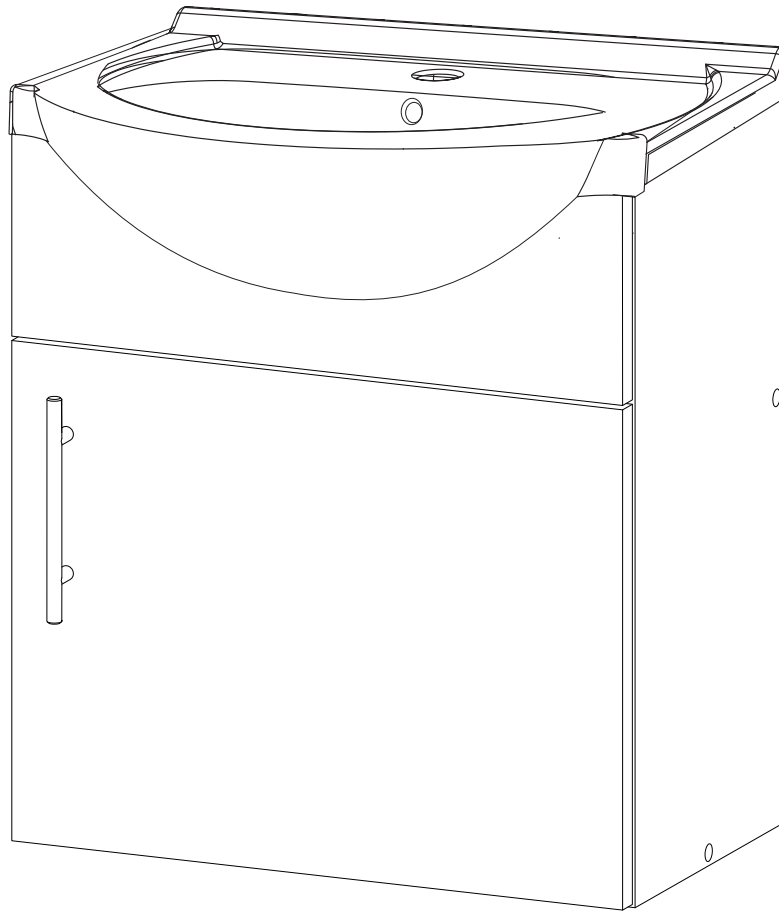
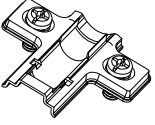
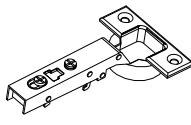
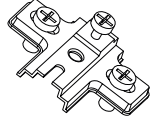
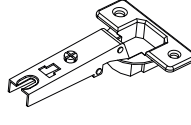
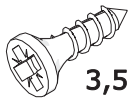
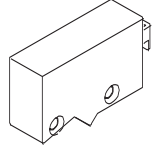
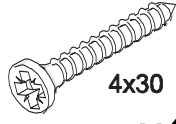
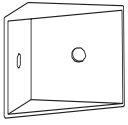
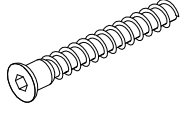

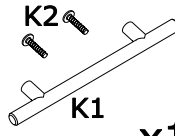
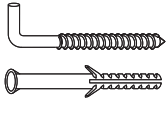
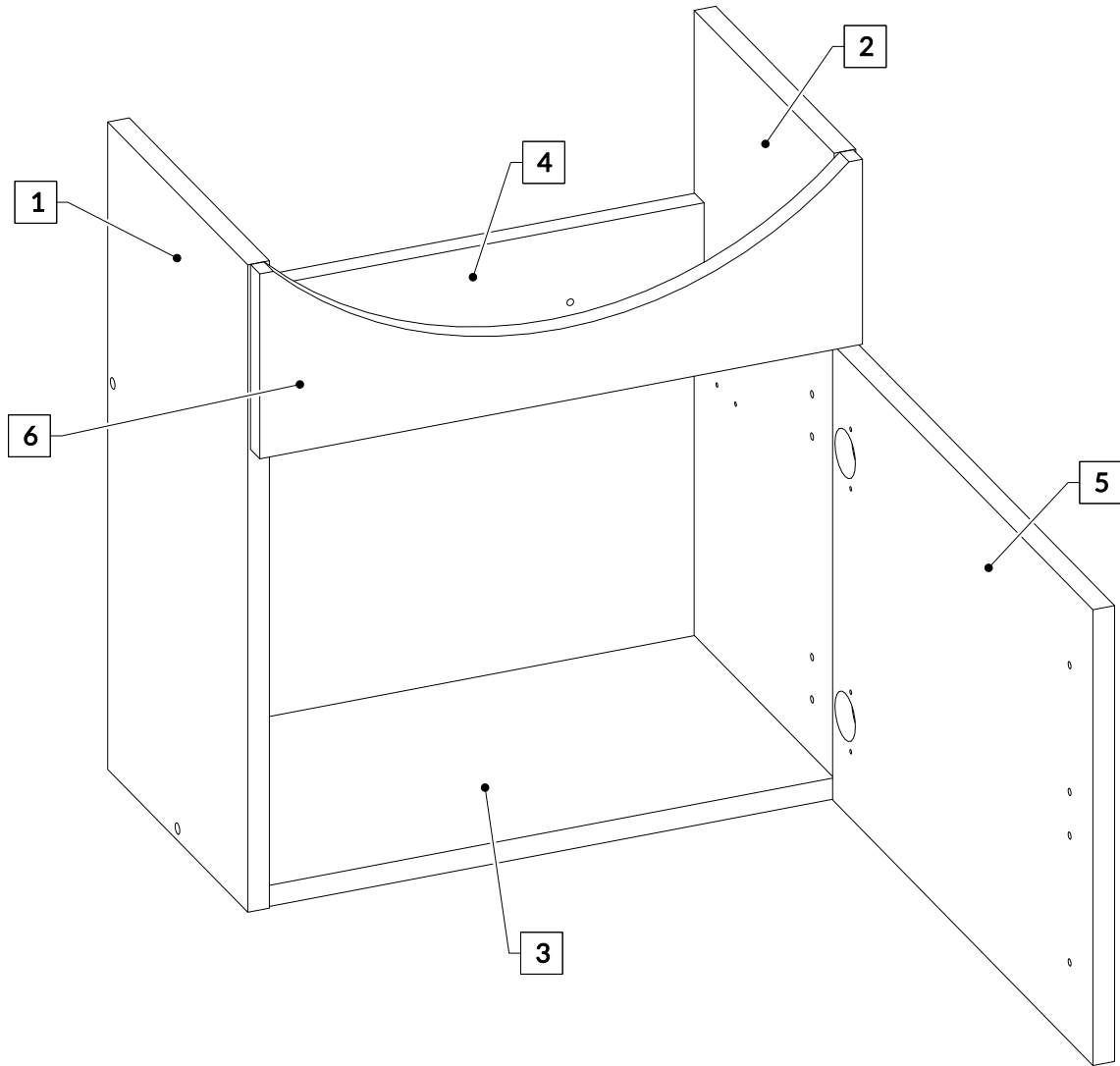
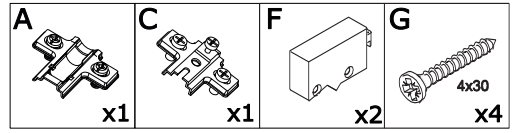


BathZone Basic

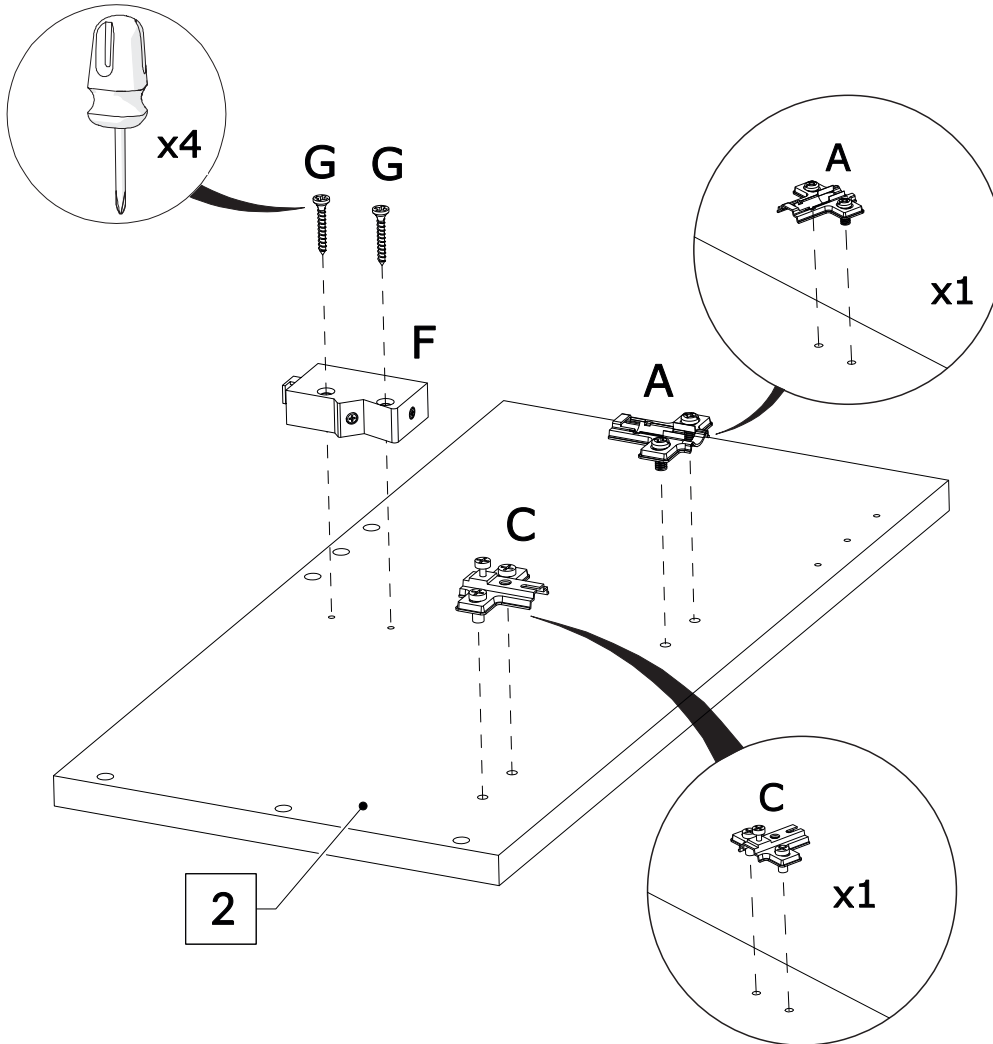
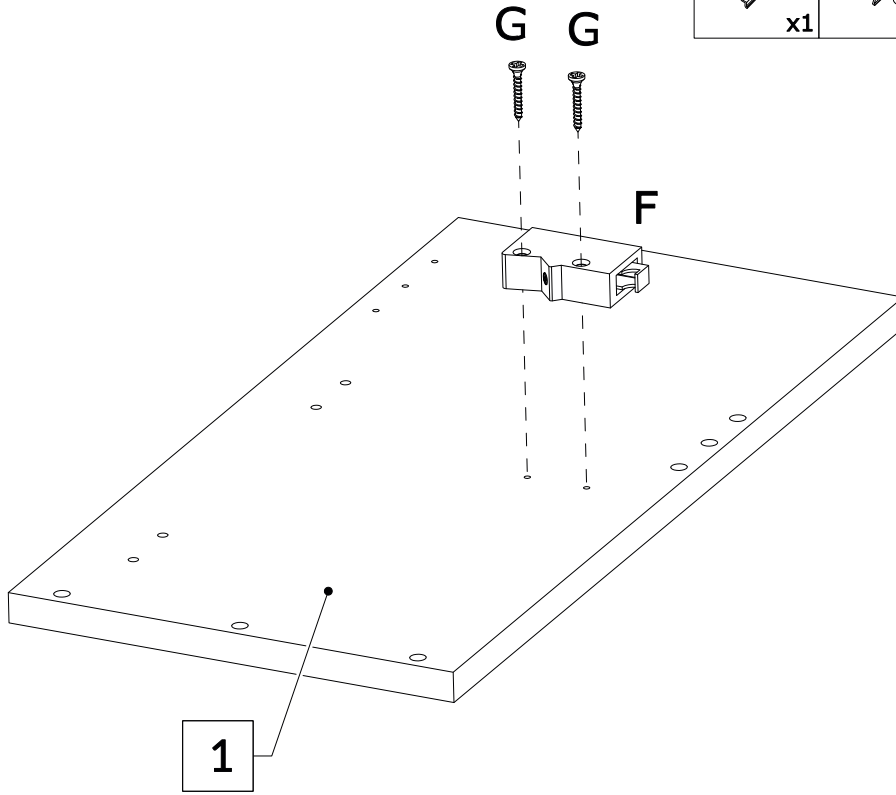


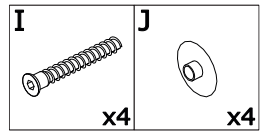
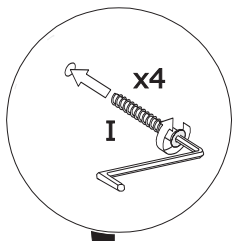
A  x1	B  x1	C  x1	D  x1	E  3,5x16 x12	F  x2	G  4x30 x4
H  x4	I  x4	J  x4	K  K2 K1 x1	L  x2		



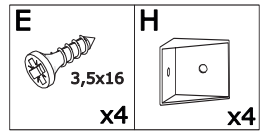
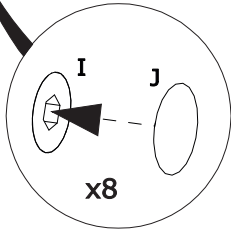
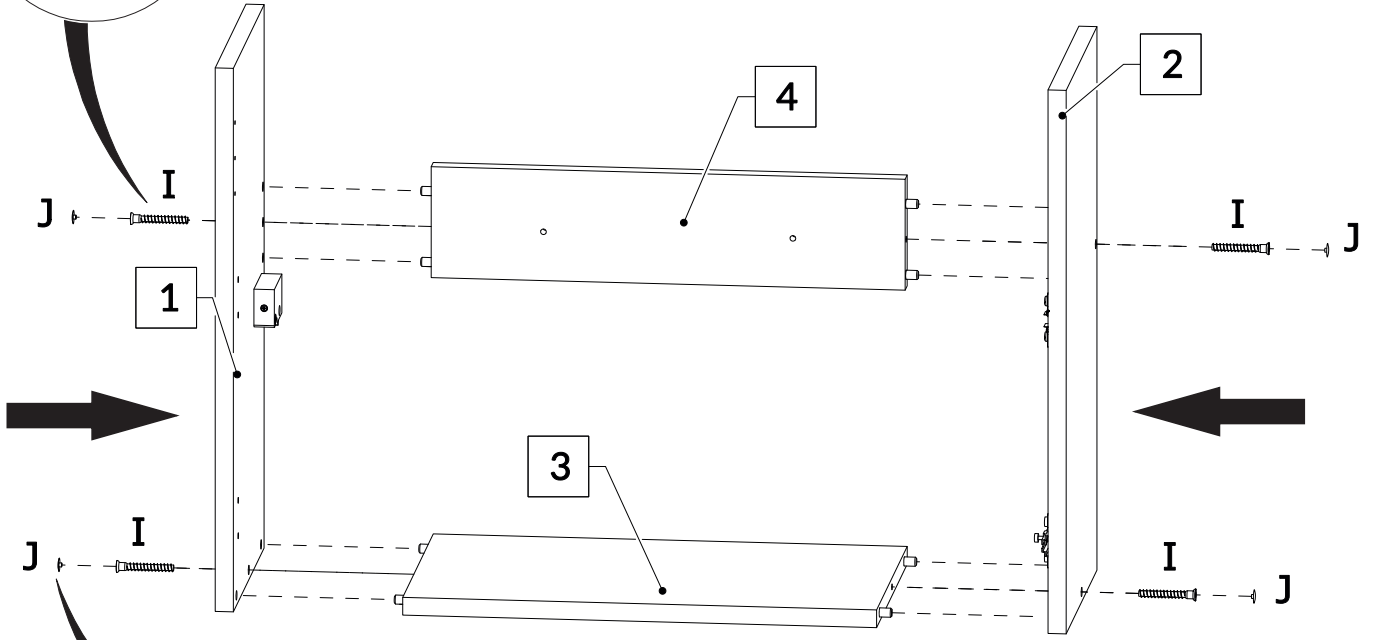


1.

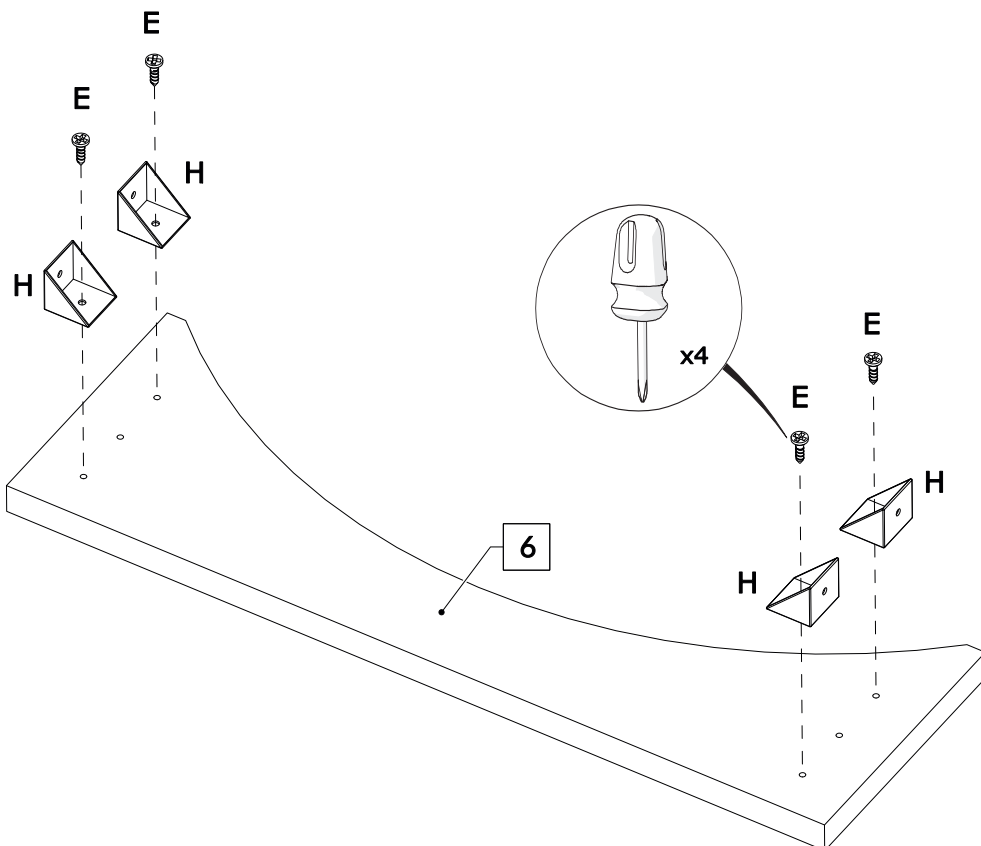


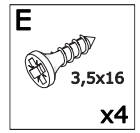
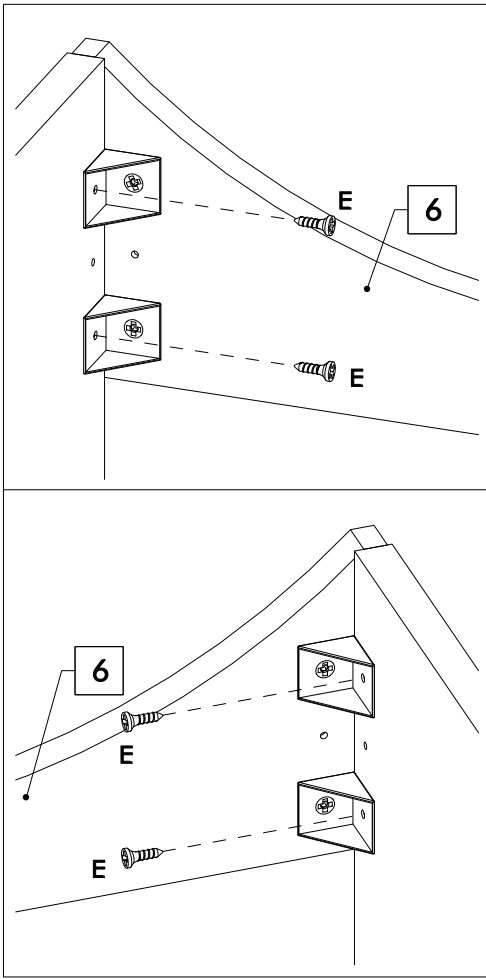


2.

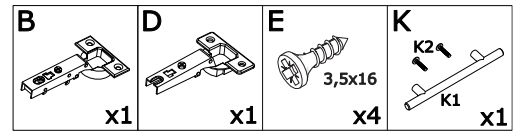
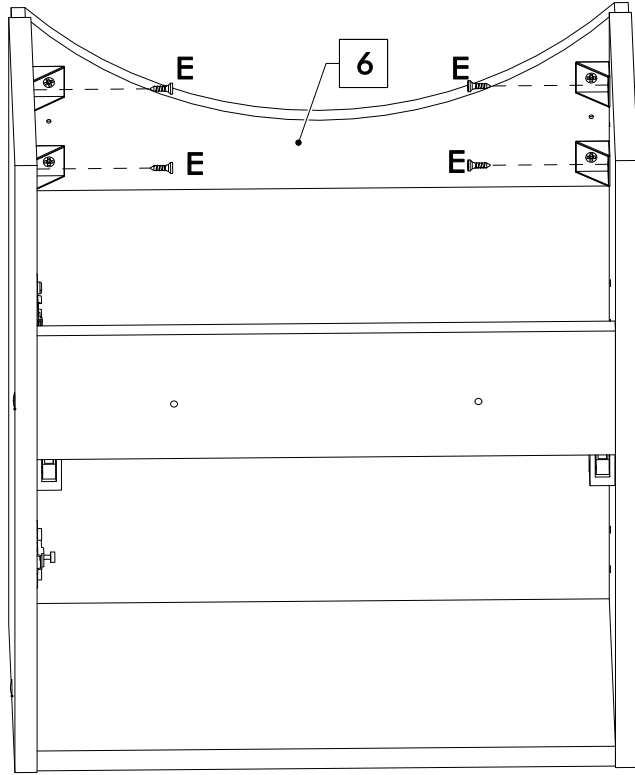


3.

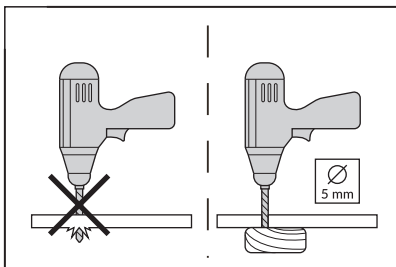
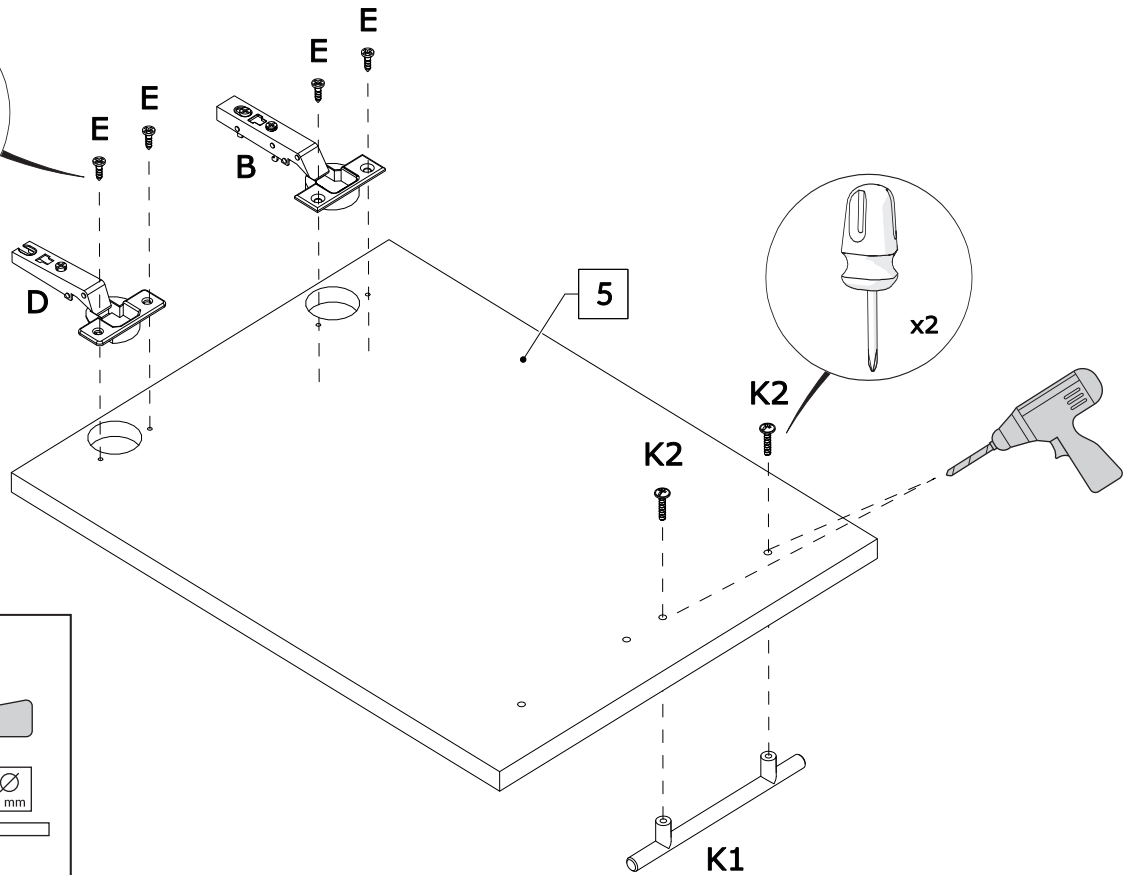
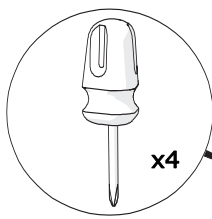


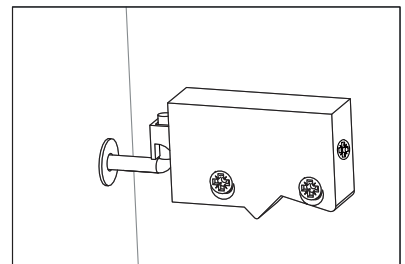
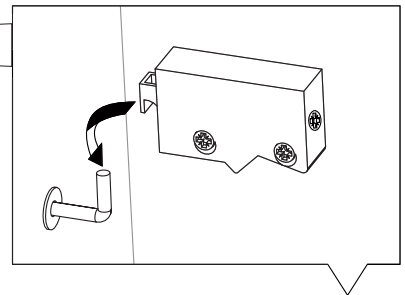
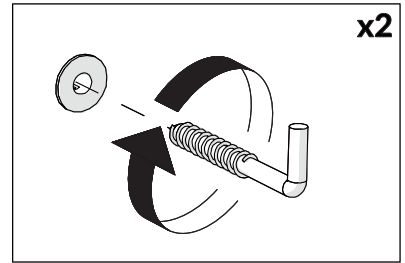
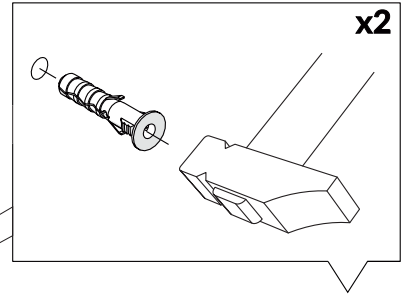
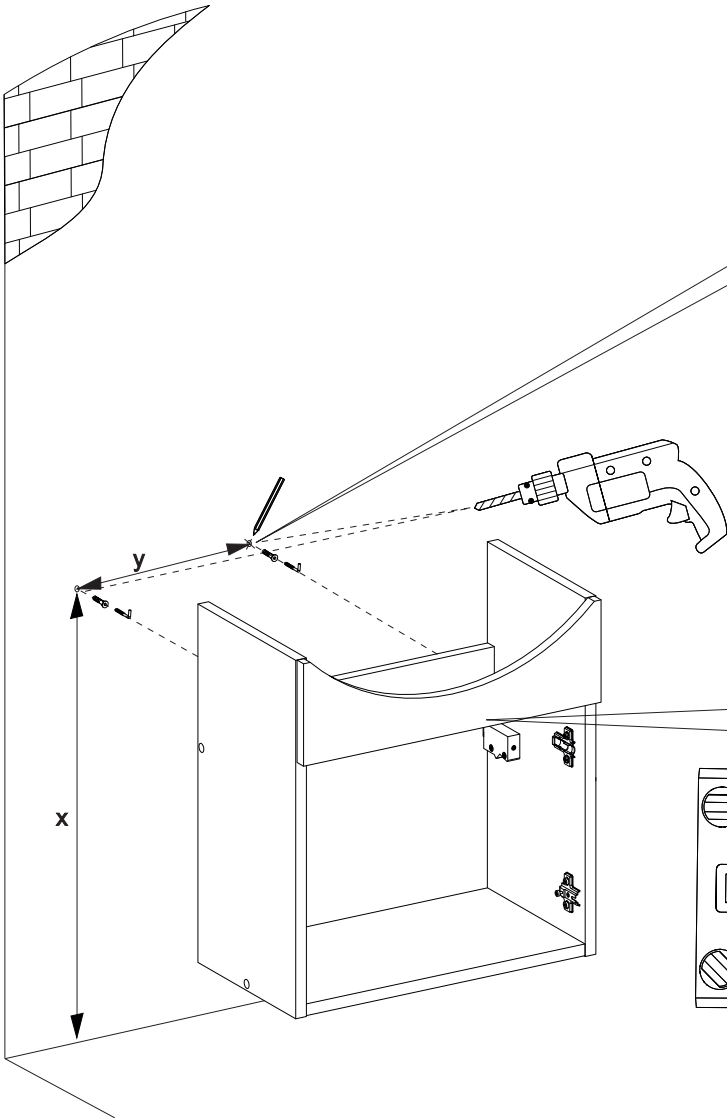
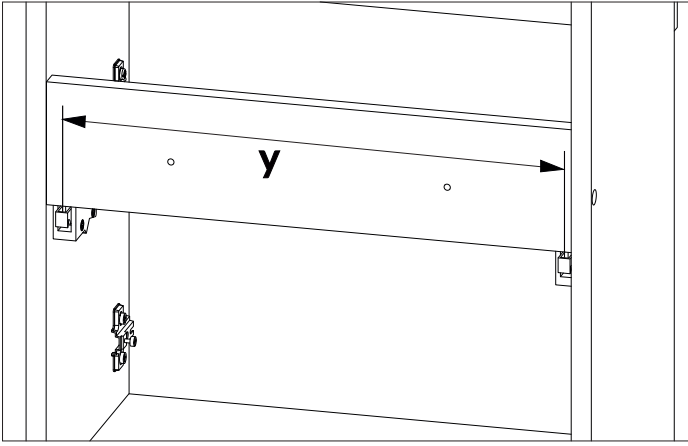
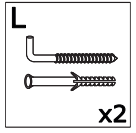


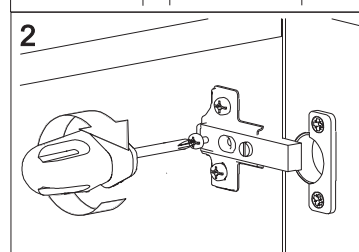
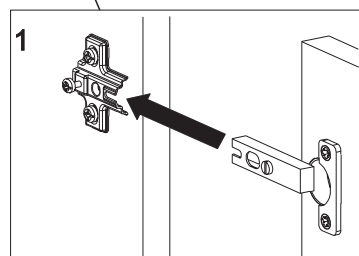
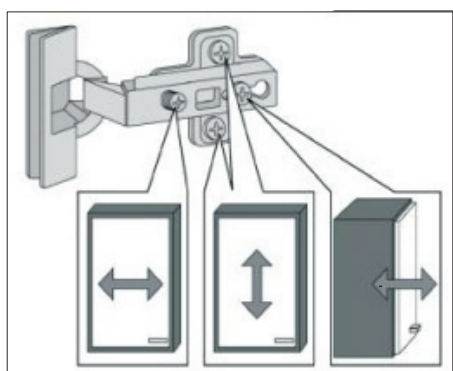
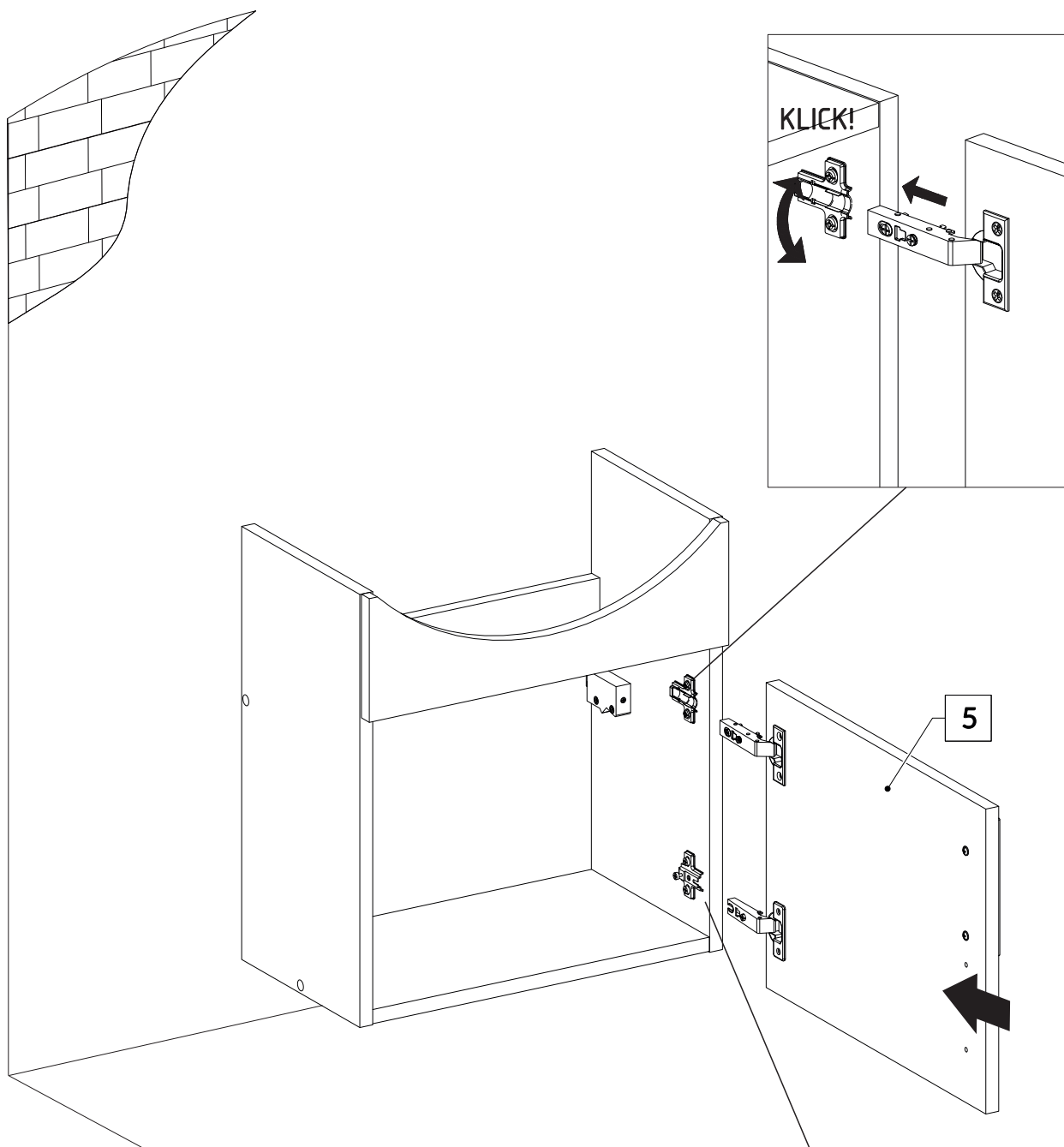
4.



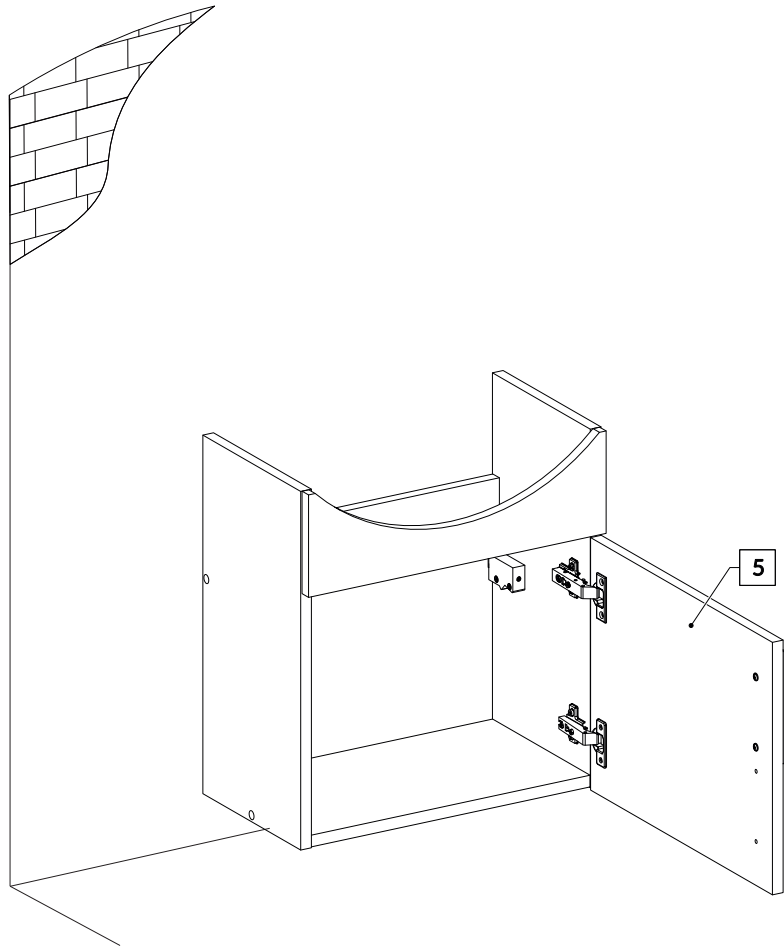
5.







8.



9.

