

A



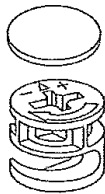
X41

B



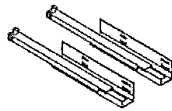
X18

C



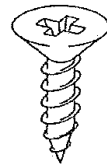
X41

D



X2

E



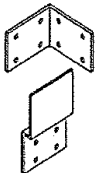
X17

K



X2

F



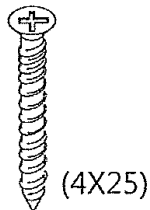
X2

H



X8

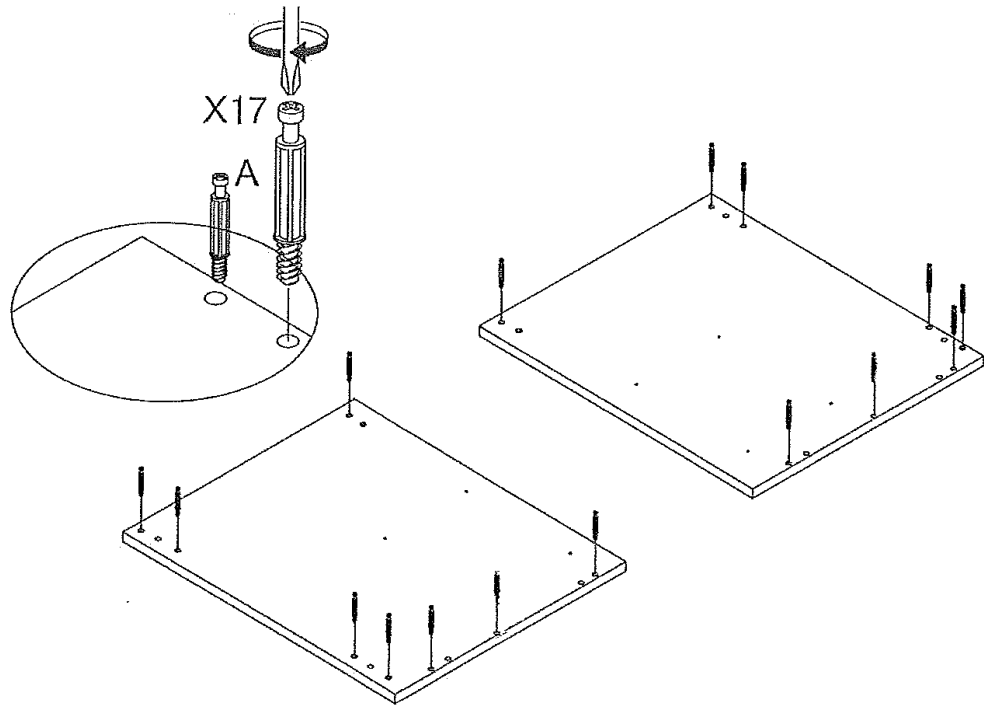
J



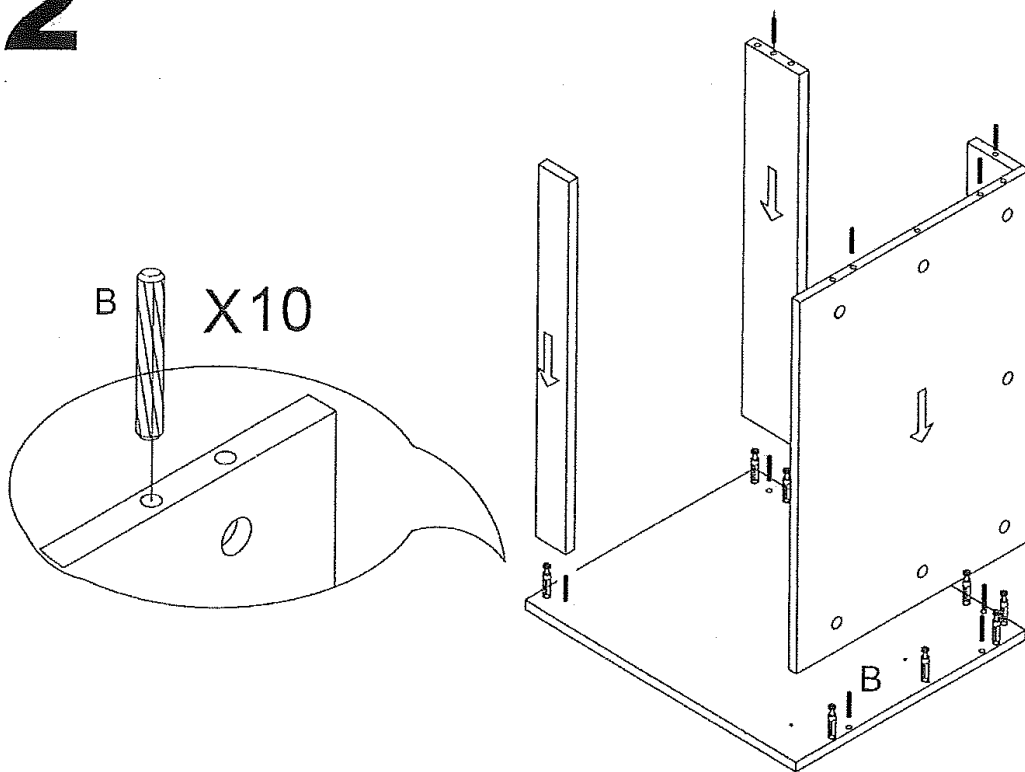
X4

(4X25)

**1**

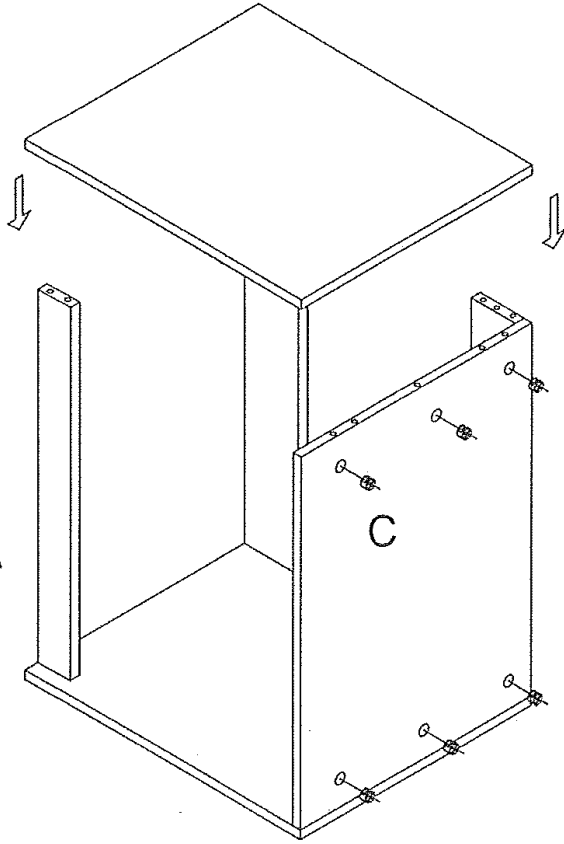
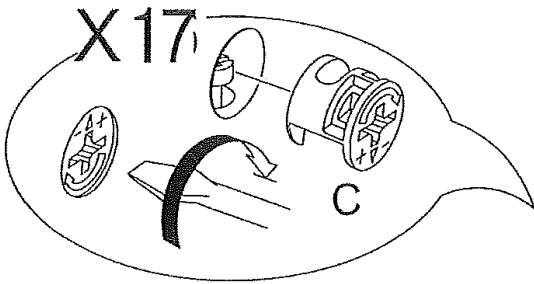


**2**

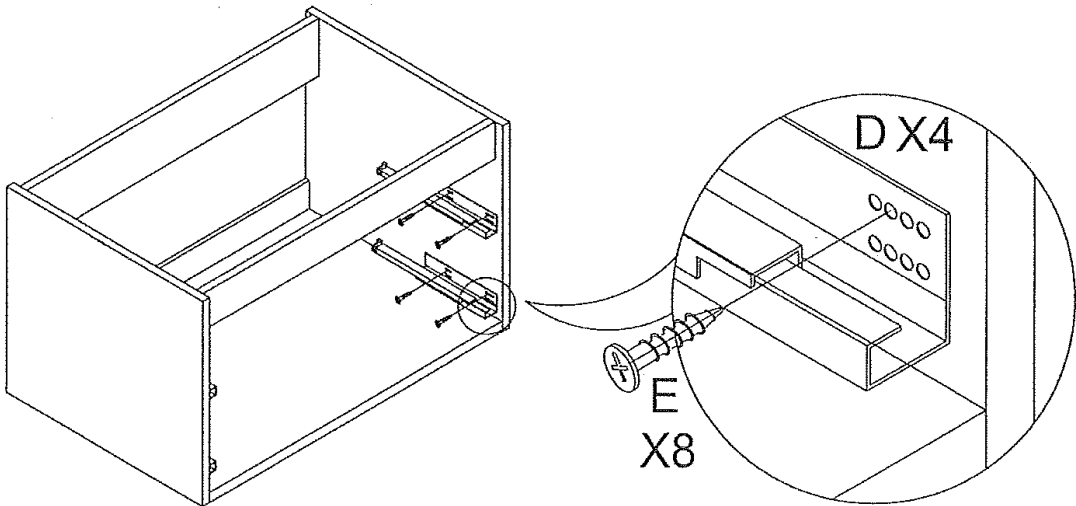


**3**

**3**

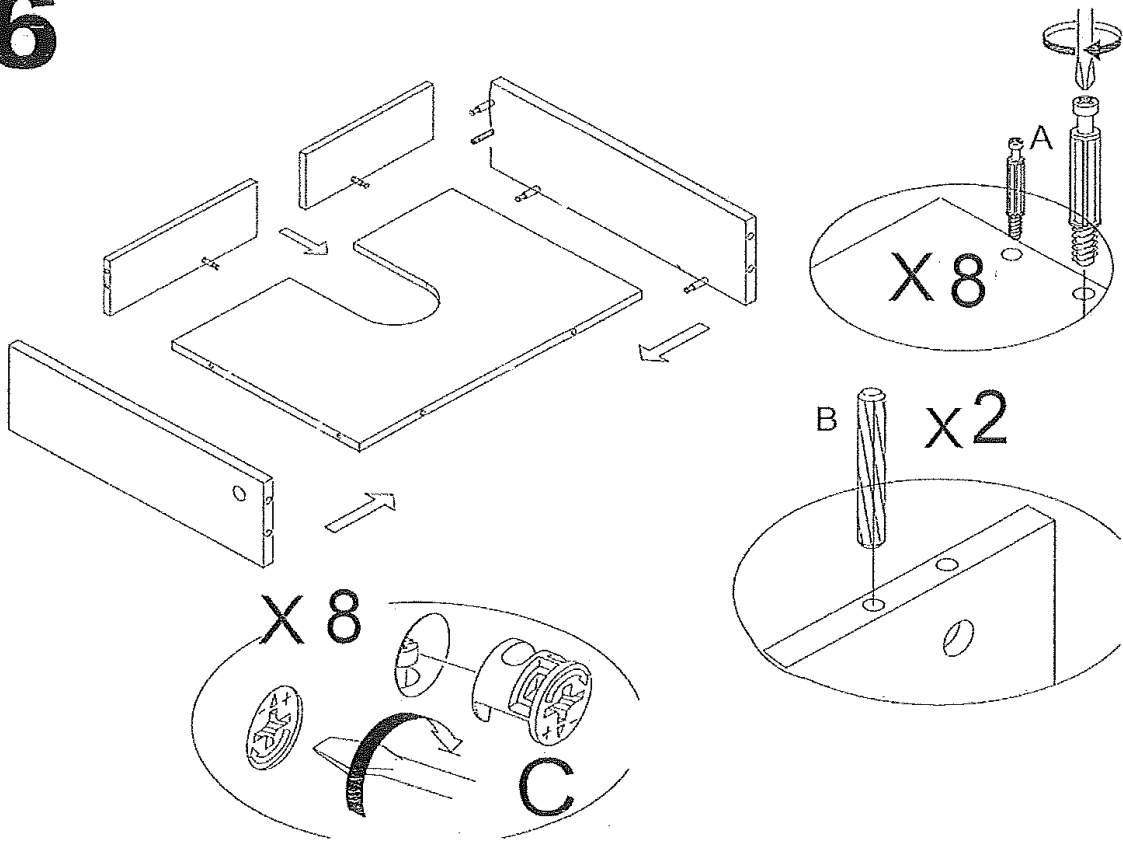


**4**

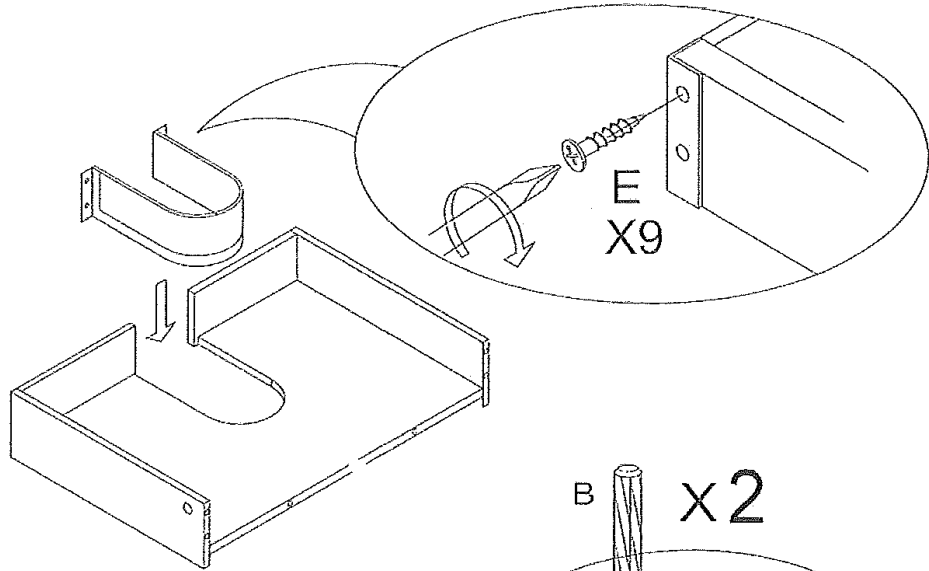


4

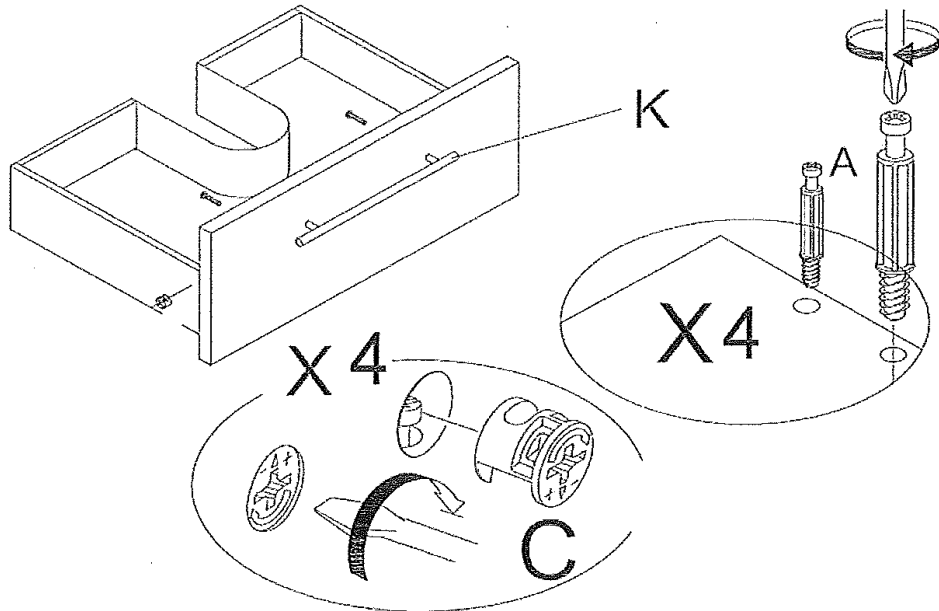
**6**



7



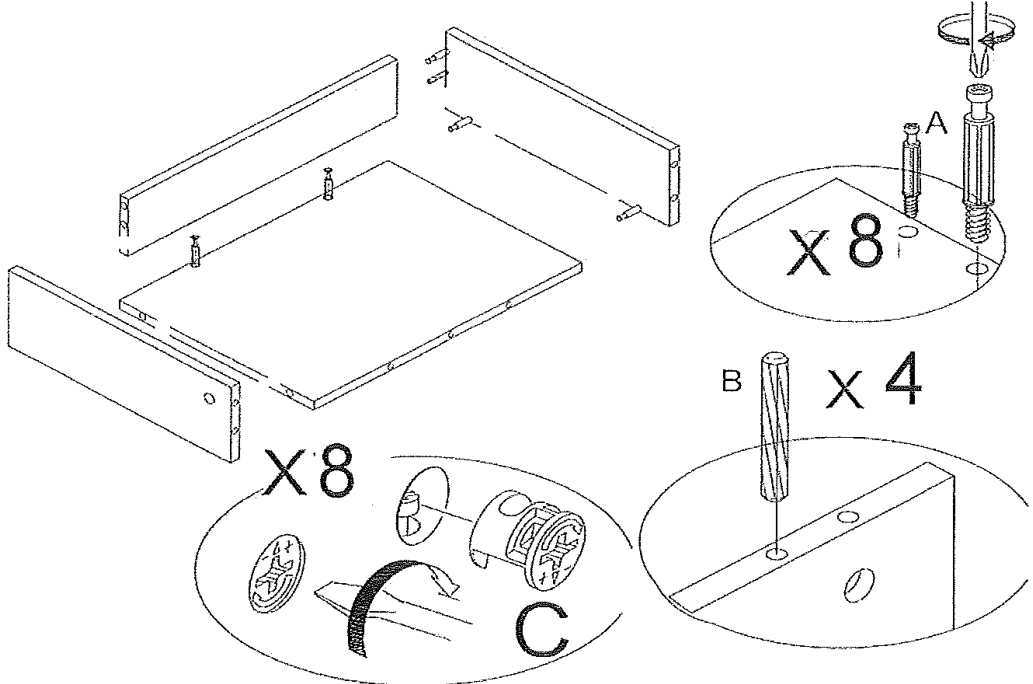
8



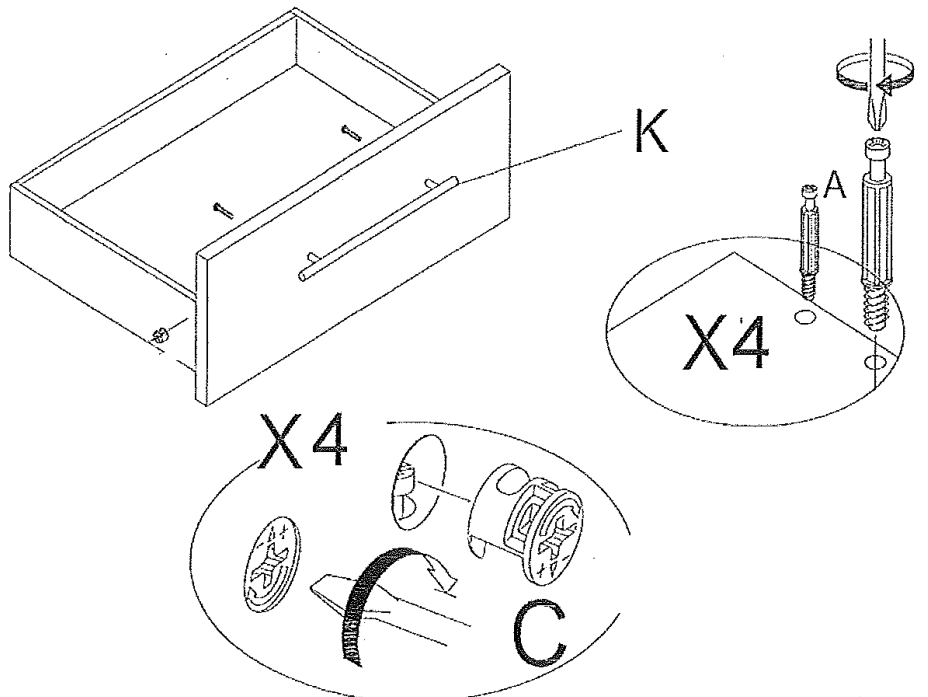
6



9

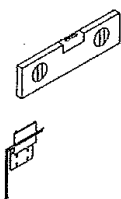
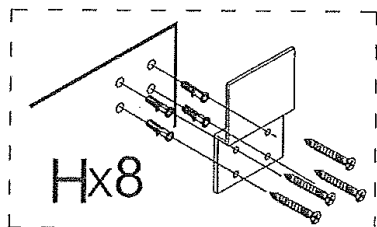
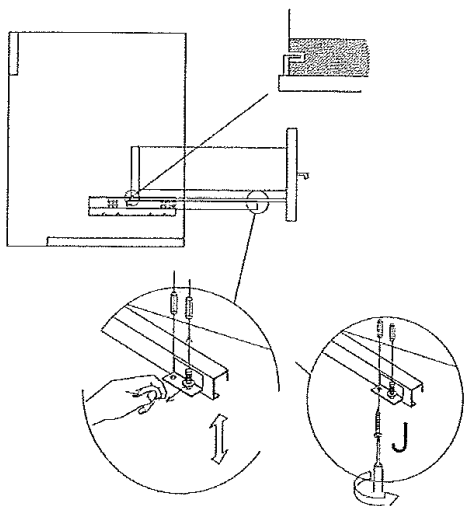


10

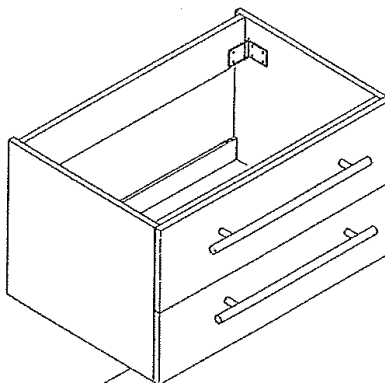
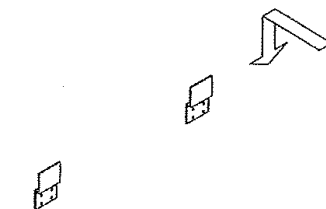
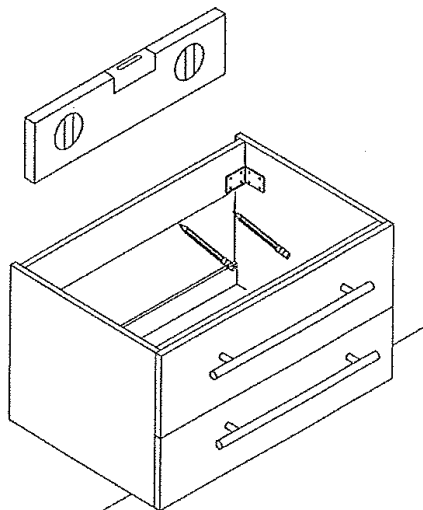




# 11



# 12



8