

FusionSolar Smart PV Residential Solution Quick Guide (Three-phase PV+LUNA2000+Smart Dongle Networking)



Solution Wiring Diagram

⚠ DANGER

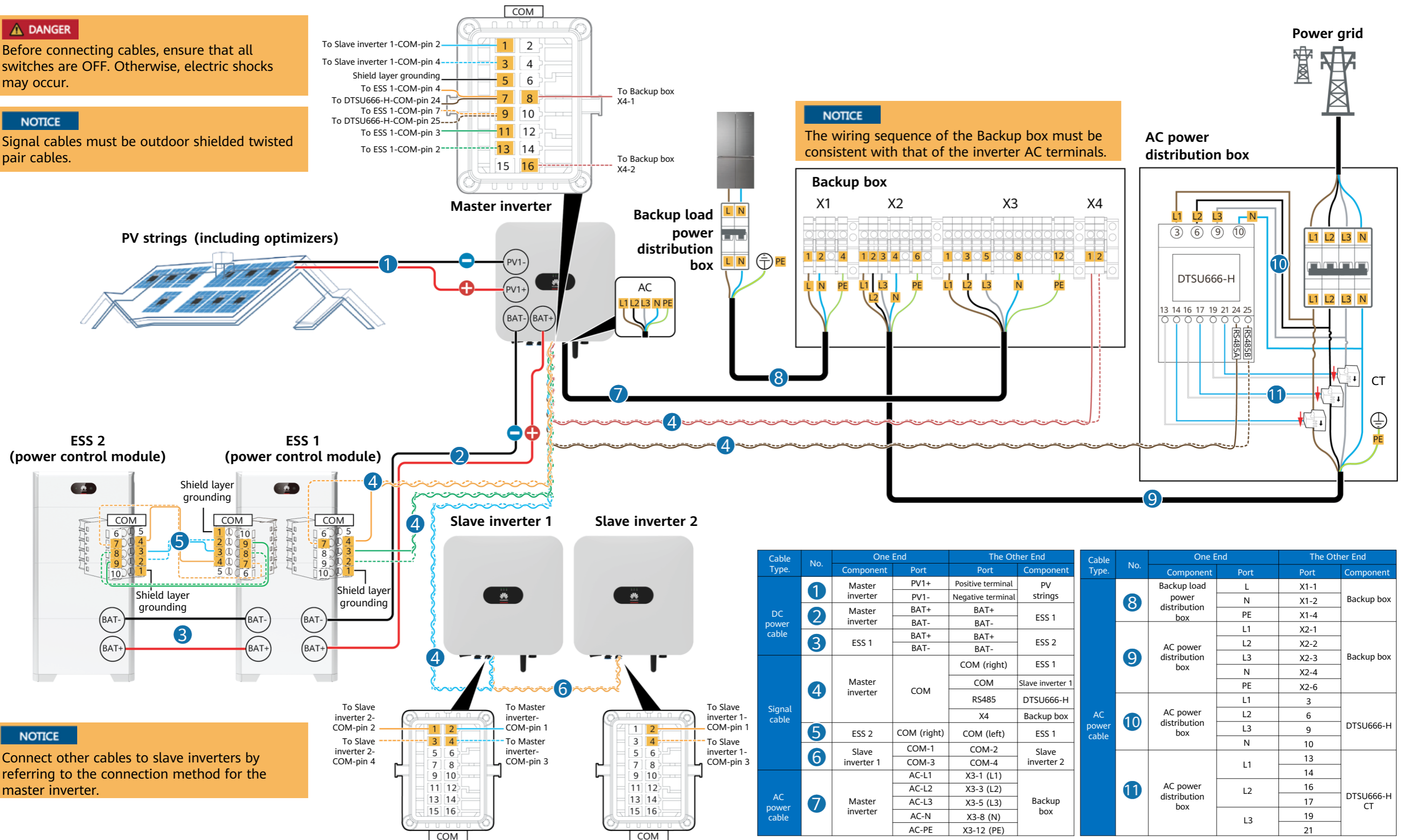
Before connecting cables, ensure that all switches are OFF. Otherwise, electric shocks may occur.

NOTICE

Signal cables must be outdoor shielded twisted pair cables.

NOTICE

The wiring sequence of the Backup box must be consistent with that of the inverter AC terminals.



NOTICE

Connect other cables to slave inverters by referring to the connection method for the master inverter.

Cable Type	No.	One End		The Other End		
		Component	Port	Port	Component	
DC power cable	1	Master inverter	PV1+	Positive terminal	PV strings	
	2	Master inverter	PV1-	Negative terminal	PV strings	
	3	ESS 1	BAT+	BAT+	ESS 2	
Signal cable	4	Master inverter	COM	COM (right)	ESS 1	
	5	ESS 2	COM (right)	COM (left)	ESS 1	
	6	Slave inverter 1	COM-3	COM-4	Slave inverter 2	
	7	Master inverter	AC-L1	X3-1 (L1)	Backup box	
		AC-L2	X3-3 (L2)			
		AC-L3	X3-5 (L3)			
		AC-N	X3-8 (N)			
AC power cable	7	Master inverter	AC-PE	X3-12 (PE)	Backup box	

Cable Type	No.	One End		The Other End	
		Component	Port	Port	Component
DC power cable	8	Backup load power distribution box	L	X1-1	Backup box
			N	X1-2	
			PE	X1-4	
AC power cable	9	AC power distribution box	L1	X2-1	Backup box
			L2	X2-2	
			L3	X2-3	
			N	X2-4	
AC power cable	10	AC power distribution box	L1	3	DTSU666-H
			L2	6	
			L3	9	
			N	10	
AC power cable	11	AC power distribution box	L1	13	DTSU666-H CT
			L2	14	
			L3	16	
			L3	17	