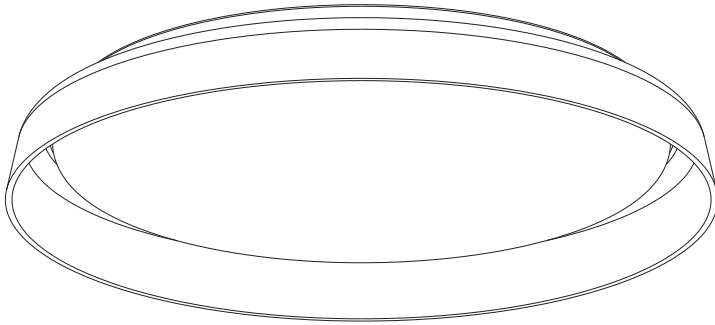
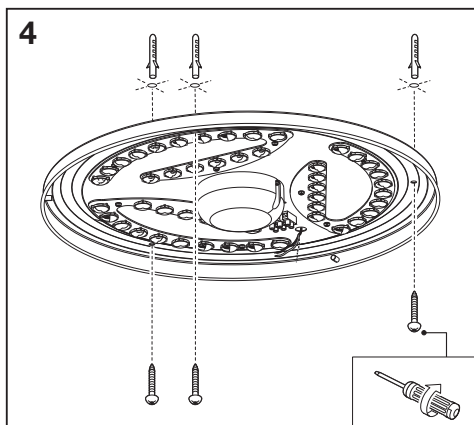
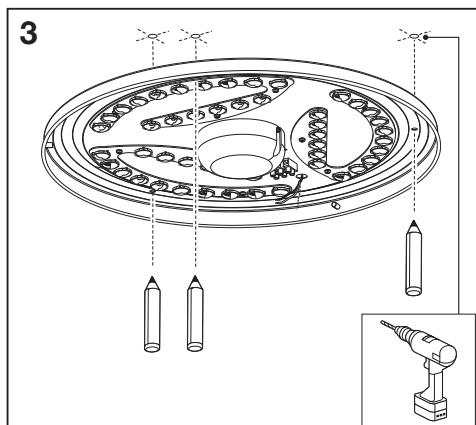
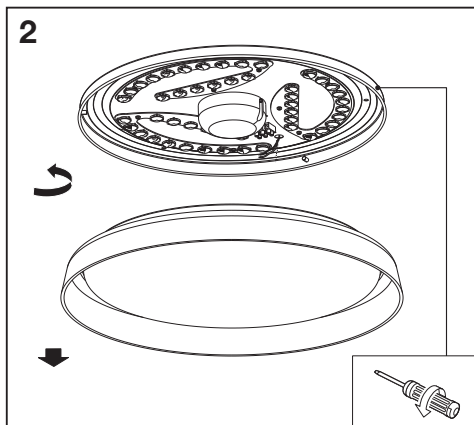
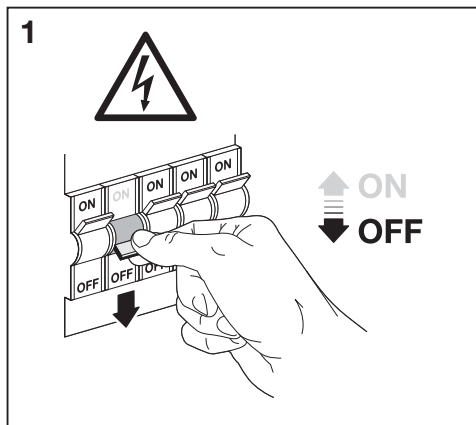
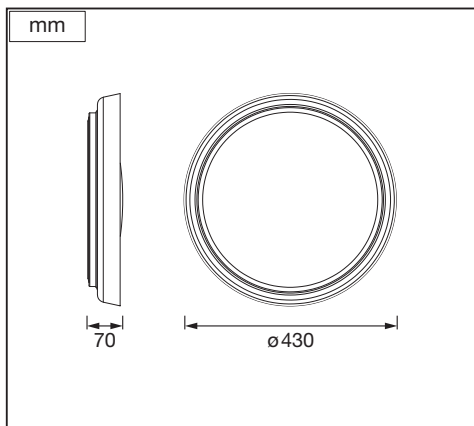
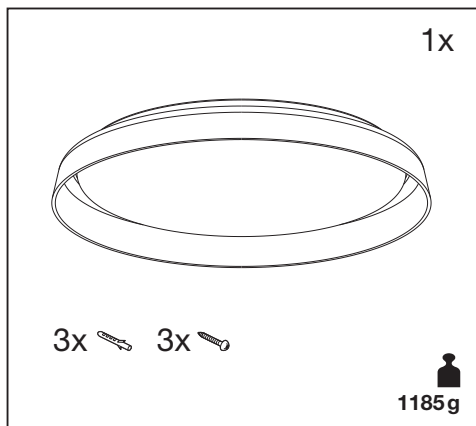


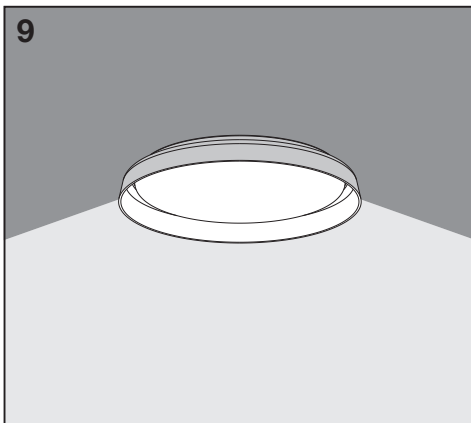
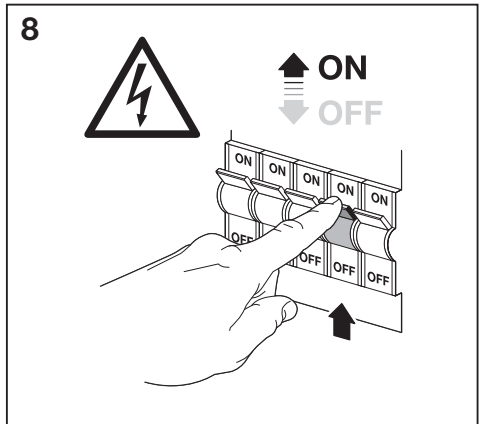
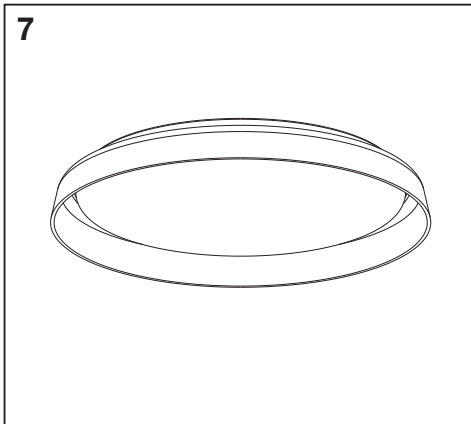
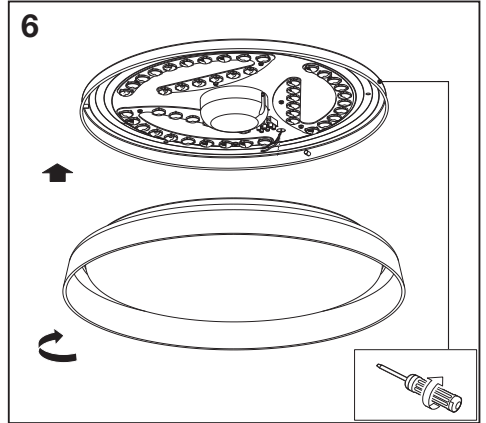
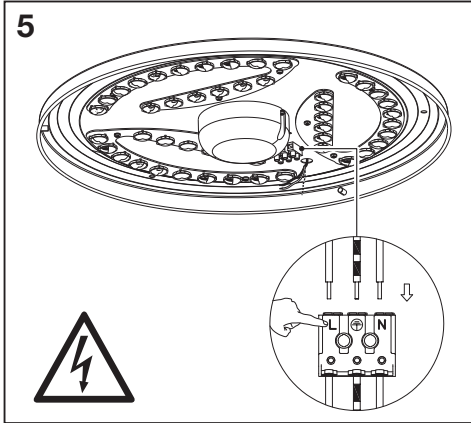



## SMART ORBIS PLATE



	EAN	W	Module lm	Fixture lm	K	IP	$\theta_{beam}$ (°C)	V~	mA	Hz	DF
SMART WIFI ORBIS PLATE RD 430 TW WT	4058075486447	26	2400	1250	3000- 6500	20	-20...+40	220-240	128	50/60	>0.9





	EAN	This product contains a light source of energy efficiency class	Contained Light Source
SMART WIFI ORBIS PLATE RD 430 TW WT	4058075486447	F	Contains 3 light sources 



C10449057  
G11125879  
01.09.2021



LEDVANCE GmbH  
Steinerne Furt 62  
86167 Augsburg, Germany  
[www.ledvance.com](http://www.ledvance.com)