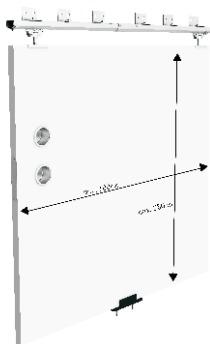
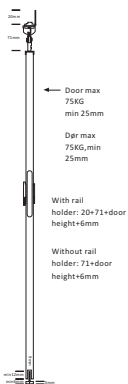
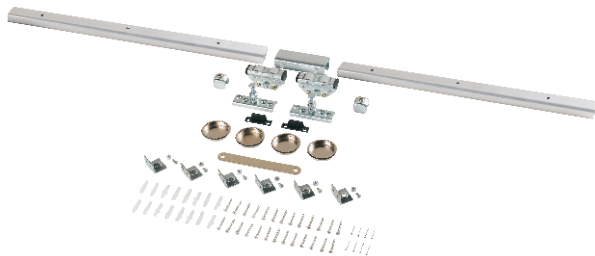


**MODERNE**  
Skydedørssæt 2 meter  
**MODERN**  
Sliding door system 2 meter

**Art: 10400**



**Version: 01-2018**

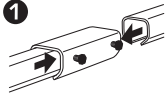
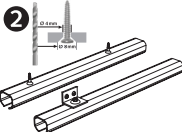
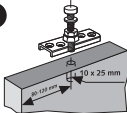
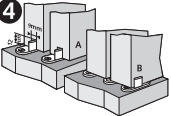


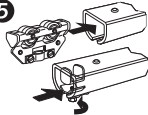
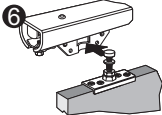
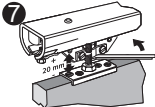
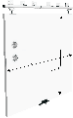
#### INDEHOLDER:

- 2 x Skinne af 1 meter
- 1 x Samlingsbeslag til skinne
- 2 x Ruller + LOFTEPLADER
- 2 x Endestoper
- 2 x Bundstyr
- 6 x Skinne beslag
- 1 x Dækplade til låsehus
- 4 x Dør håndtag
- 1 x Monteringsvejledning

#### CONTAINS:

- 2 x Rails 1 meter
- 1 x Rail connector
- 2 x Rollers+Lifting plates
- 2 x End stop
- 2 x Bottom handle bar
- 6 x Rail holders
- 1 x Cover plate for lock
- 4 x Door handels
- 1 x Installation instruction

	<p>Sæt de to 1 m. skinner sammen med samlebeslaget. Spænd boltene på side med en skruenøgle.</p>	<p>Connect the 2 pcs 1 meter rails with the rail connector. Firmly tighten the side bolts with a fork wrench.</p>
	<p>Du er nu klar til at montere 2 meter skinnen med de medfølgende skraver eller med de 6 stk. medfølgende skinnebeslag til montage på lodrette flader. Ved direkte montering i loftet skal der ud klinkes til samlebeslaget med et stemmejern.</p> <p>Skinnen skal placere i midten, af dørens vandrette bevægelses område.</p>	<p>You are now ready to mount the 2 meter rail in to the ceiling with the enclosed screws or on the wall with the 6 pcs. rail brackets. For direct mounting in to the ceiling, the rail connector must be coping with a chisel. The rail should be placed in the center of the door movement area horizontally.</p>
	<p>Nu skal løftepladerne monteres i toppen af dør kanten. Træk beslaget ind fra kanten til mellem 80-120 mm afhængig af dørens bredde. Bor så et <math>\varnothing 10\text{mm} \times 25\text{mm}</math> dybt hul center i kanten. Monter nu pladerne fast med de medfølgende skraver.</p> <p>VIGTIGT Total vægten på døren må IKKE overstige 75 kg.</p>	<p>Now the lifting plates must be mounted at the top of the door edge. Pull the bracket from the edge to between 80-120 mm depending on the width of the door. Then drill a 10mm x 25mm deep hole center at the edge. Mount the plates firmly with the enclosed screws. <b>IMPORTANT</b> MAX 75 kg door.</p>
	<p>A: Fræs nu et spor center i underkanten af døren 9 mm bred og 12 mm dybt.</p> <p>B: Gulv beslagene kan også placeres synligt på siden af dørens kant hvis ønskes.</p>	<p>A: Now chamfer a track center at the bottom of the door 9 mm width and 12 mm deep.</p> <p>B: The floor fittings can also be placed visibly on the side of the door edge if desired.</p>

<p><b>5</b></p> 	<p>Skub nu 2 de medfølgende ruller ind i skinnens ende og efter følgende luk begge ender med stopperne. Disse skal efterfølgende justeres i den rigtige position.</p>	<p>Now push 2 the supplied rollers into the end of the rail and afterwards close both ends with the stops, These should be adjusted in to the correct position.</p>
<p><b>6</b></p> 	<p>Monter nu døren i rullerne og spænd boltene fast i rullen.</p>	<p>Now install the door in the rollers and tighten the bolts in each roller.</p>
<p><b>7</b></p> 	<p>Du kan nu justere dør højden med en gaffelnøgle så døren er min. 3 mm over gulvet. Fastspænd derefter kontramøtrikkerne. Dørstopperne skal nu placeres i den rigtige position.</p>	<p>You can now adjust the door height with a wrench so the door is min. 3 mm above the floor. Then tighten the counter nuts. The stops must now be placed in the correct position.</p>
<p><b>8</b></p> 	<p>Monter grebsskålene i hullerne og låsepladen i låsehullet, med de medfølgende skruer. Nu er din skydedør færdig monteret.</p>	<p>Install (if necessary) the door cups in the holes and the locking plate in the locking hole, with the supplied screws. Now your sliding door is ready to be used.</p>

 **WARNING**

- Failure to wear proper safety gear (i.e., eye protection) may result in serious injury or death. Always wear proper safety gear before using power tools.
- Improper operation of power tools may result in loss of control, serious injury or death. Always ensure you have complete control of the power tool and the work area is free of hazards before operating a power tool.
- Lack of secure clamping of the door may result in unexpected movement of the door, loss of power tool control and serious injury or death. Always securely clamp the door in place before cutting, or drilling, the door.
- Lack of, or improperly installed Anti-jump Disc may result in the door coming off the track and cause serious injury or death. Installation of Anti-jump Discs are required for safe operation of this hardware. Installed properly, these discs will keep the door securely attached to the track.

 **CAUTION**

- Mishandling of heavy objects (i.e., doors) may cause a loss of balance and serious injury. Always be sure you have a secure hold on the object and are balanced before moving the object. Always wear safety shoes when lifting heavy objects.
- Getting body parts (i.e., hair, fingers) caught in moving parts may cause pinching and serious injury. Do not put fingers in parts that may move and always remove or contain anything on your body that may become entangled with a moving part.
- Closing sliding doors with your hand on the end of the door may result in your hand, or fingers, getting caught between the door and other solid objects (i.e., another door, molding) causing serious injury. Always use the door handle to close doors.

**NOTICE**

Use of excessive force when opening, and closing, the door(s) may result in damage to the hardware. Always hold the handle and gently open and close the door(s).