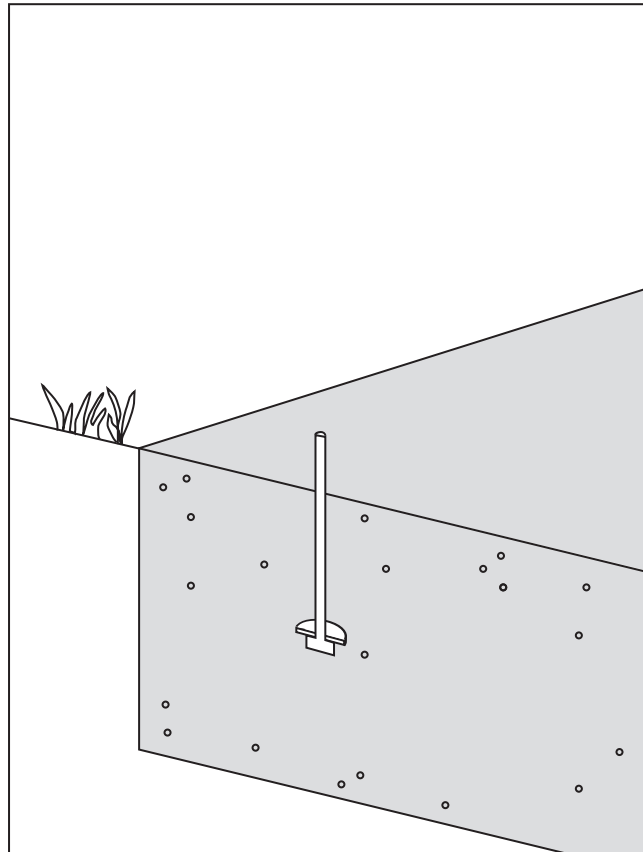
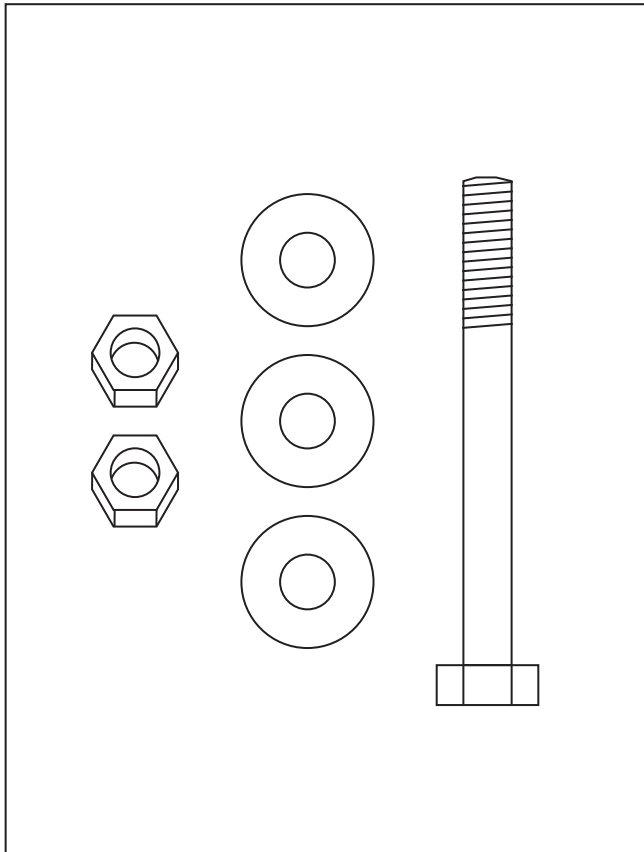
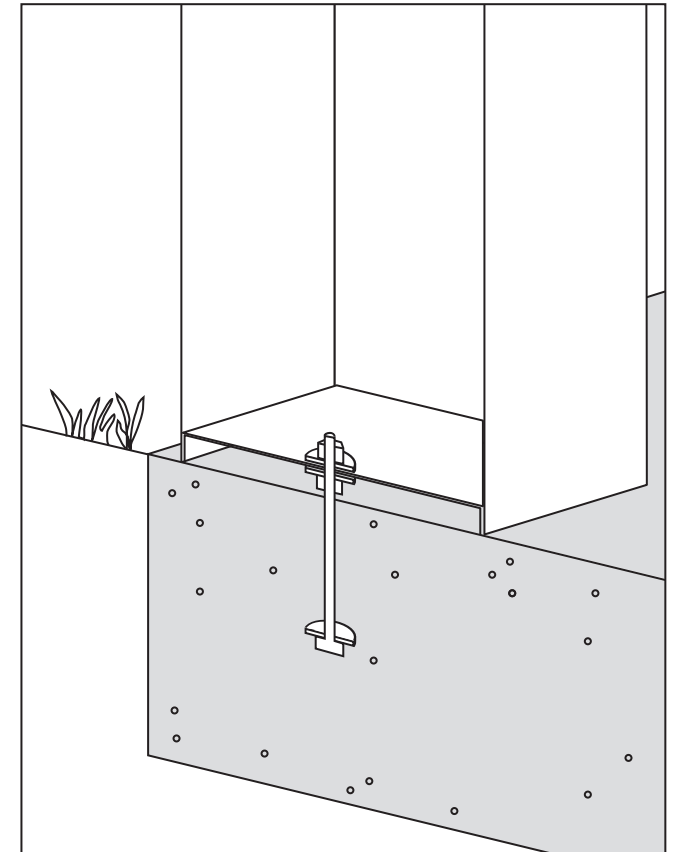


Garden Parcel mounting

On ground into cement



Place bolt and one washer in wet cement.
Let cement harden.



After some time, mount the mailbox in the middle
hole in the bottom of the box with washer and nut.