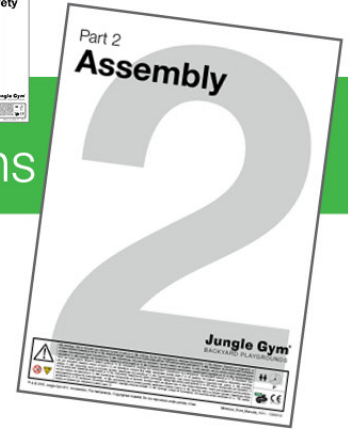


Part 2

Assembly

Instructions

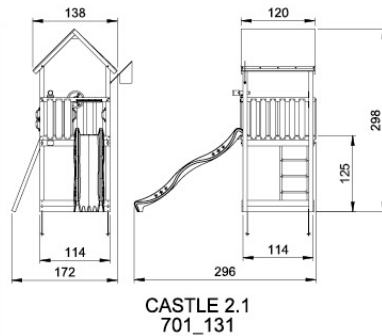
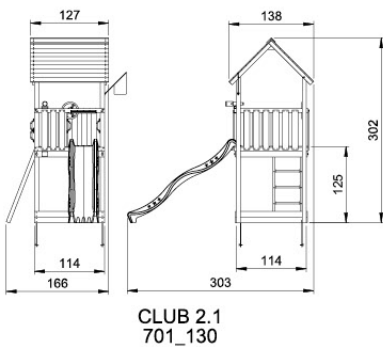
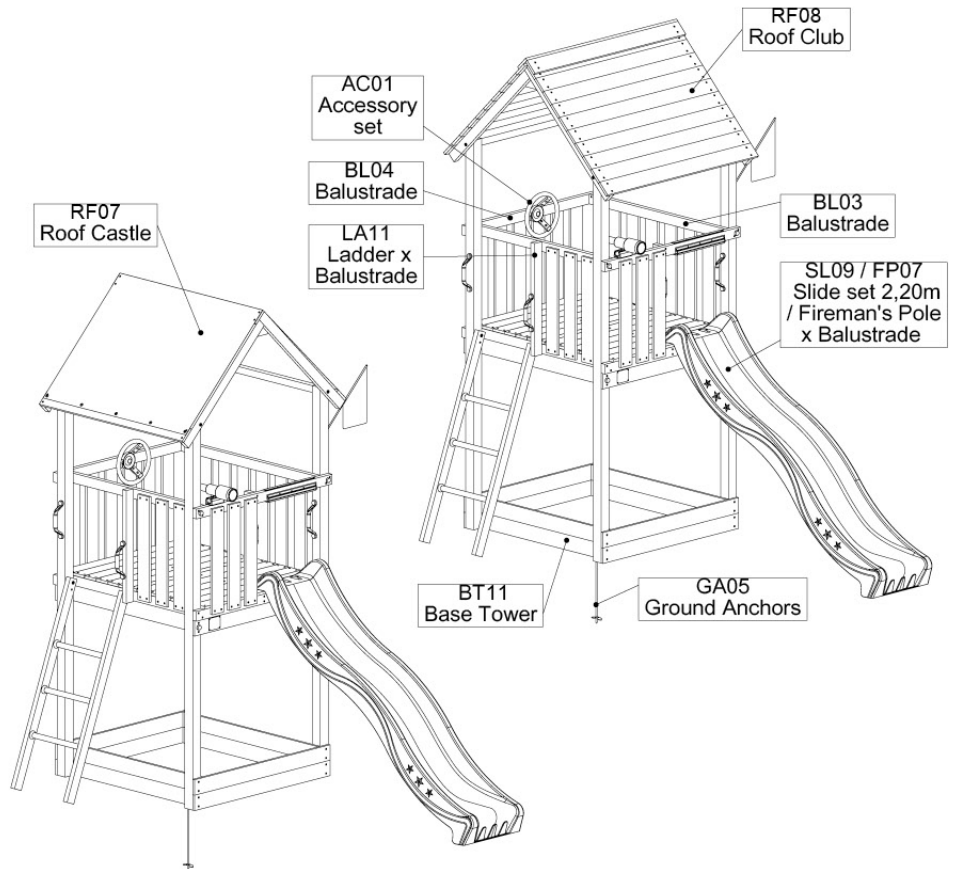
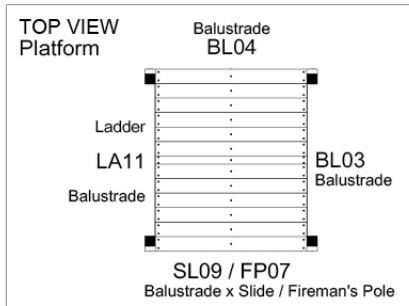


Jungle Club 2.1 &

801_130

Jungle Castle 2.1

801_131



Jungle Gym

BACKYARD PLAYGROUNDS

since 1988



EN. Warnings. Only for domestic use. Maximum number of users is 6. **DE.** Achtung. Nur für den Hausgebrauch. Maximale Benutzerzahl: 6. **FR.** Attention. Réserve à un usage familial. Le nombre maximal d'utilisateurs est de 6. **NL.** Waarschuwingen. Uitsluitend voor huishoudelijk gebruik. Het maximale aantal gebruikers is 6. **BG.** Внимание. За употреба само в домашни условия. Максималният брой потребители е 6. **CS.** Varování. Jen pro domácí použití. Maximální počet uživatelů je 6. **DA.** Advarsel. Kun til privat brug. Maksimum antal brugere er 6. **EL.** Προειδοποίηση. Μόνο για οικιακή χρήση. Μέγιστος αριθμός χρηστών 6. **ES.** Advertencias. Solo para uso doméstico. Número máximo de usuarios: 6. **ET.** Hoiatused. Ainult koduseks kasutamiseks. Maksimaalne kasutajate arv on 6. **FI.** Varoitukset. Ainoastaan kotikäyttöön. Käyttäjää yhteensä enintään 6. **HR.** Upozorenja. Samo za kućansku uporabu. Maksimalan broj korisnika je 6. **HU.** Figyelmeztetések. Csak otthoni használatra! A használók max. száma: 6. **IS.** Varnaðarorð. Engöngu fyrir einhættu og á einkalóðum. Hámarksfjöldi notenda er 6. **IT.** Avvertenze. Solo per uso domestico. Massimo numero di utenti è 6. **LT.** Įspėjimai. Tik buitnam naudojimui. Maksimalus naudotojų skaičius 6. **LV.** Brīdinājumi. Izmantoj tikai mājās. Maksimālais lietotāju skaits ir 6. **NO.** Advarsel. Kun for privat bruk. Maksimalt antall brukere er 6. **PL.** Ostrzeżenia. Wyłącznie do użytku domowego. Maksymalna liczba użytkowników to 6. **PT.** Avisos. Apenas para uso doméstico. O número máximo de utilizadores é 6. **RO.** Avertismente. Numai pentru uz domestic. Numărul maxim de utilizatori este 6. **RU.** Предостережения. Только для домашнего использования. Максимальное количество пользователей - 6. **SK.** Upozornenia. Iba na domáce použitie. Maximálne množstvo osôb je 6. **SL.** Opozorila. Samo za domačo uporabo. Maksimalno število uporabnikov je 6. **SR.** Upozorenja. Samo za kućnu upotrebu. Maksimalan broj korisnika je 6. **SV.** Varningar. Endast för hemmabruk. Det maximala antalet användare är 6. **TR.** Uyarılar. Sadece ev kullanımı için. Maksimum kullanıcı sayısı 6.



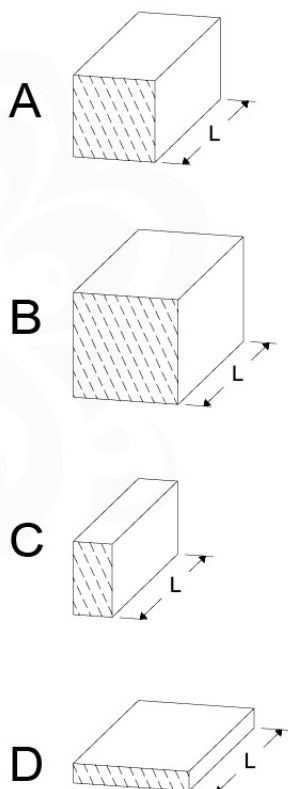
What's in the delivery?

401_125 / 123_222 (Jungle Castle 2.1)

| | | | | |
|---|---|-----------------------|-----------------------|---|
| <p>1x 040_805</p> <p>1x 040_030</p> | <p>1x 022_300</p> | <p>1x 120_024</p> | <p>2x 007_001</p> | <p>4x 022_320</p> |
| <p>1x 103_901</p> | <p>1x 122_302</p> <p>1x 022_800</p> | <p>1x 123_200</p> | <p>1x 104_107</p> | <p>1x 100_051</p> |
| <p>1x 022_910</p> | <p>3x 005_03x</p> <p>6x 022_835</p> | <p>8x 120_005</p> | <p>9x 022_845</p> | <p>(Jungle Castle 2.1) 1x 123_222</p> <p>120 cm</p> <p>Canvas</p> |

Timber




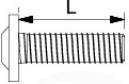
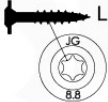
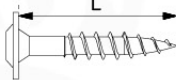

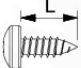

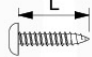

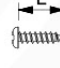

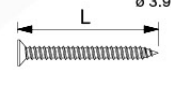
Jungle Club 2.1 | Castle 2.1


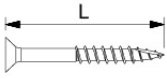


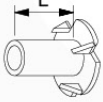






| L | | | |
|-------------------------------------|--|--|--|
| | | 601_130 Jungle Club 2.1 | 601_131 Jungle Castle 2.1 |
| A240 | 239cm - 240cm | 4 x | 4 x |
| - | - | - | - |
| C130 C114 C96 C90 C70 | 129cm - 130cm 113cm - 114cm 95cm - 97cm 89cm - 90cm 69cm - 70cm | 2 x 9 x 2 x 2 x 2 x | 2 x 9 x 2 x 2 x 2 x |
| D127 D120 D114 D100 D65 | 126cm - 127cm 119cm - 120cm 113cm - 114cm 99cm - 100cm 64cm - 65cm | 18 - 24 x 12 x 13 - 14 x 19 x | 3 x 12 x 13 - 14 x 19 x |

output: 02/12/20

General Hardware Types

| | | L | |
|--|--|---|--|
|  |  | 000_101 | 20 mm |
|  |  | 001_102 | 30 mm |
|  |  | 001_404 001_406 001_411 001_417 001_422 | 30 mm 45 mm 60 mm 80 mm 137 mm |
|  |  | 002_036 | 16 mm |
|  |  | 002_041 | 20 mm |
|  |  | 002_042 | 13 mm |
|  |  | 002_301 | 40 mm |

| | | L | |
|---|--|--|----------------------------------|
|  |  | 002_308 002_219 002_220 002_223 | 20 mm 30 mm 45 mm 80 mm |
| |  | 003_010 | |
| |  | 003_034 | |
| |  | 004_050 | 22mm |
| |  | 022_845 022_846 022_847 022_848 | Yellow Blue Green Red |
| |  | 023_031 | White |
|  |  | 120_005 | White |

output: 20/11/20

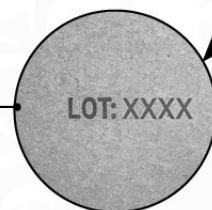
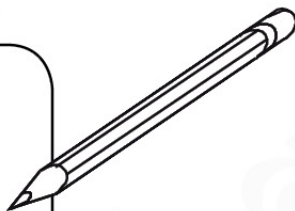
01 Product Identification



Art. Description: _____

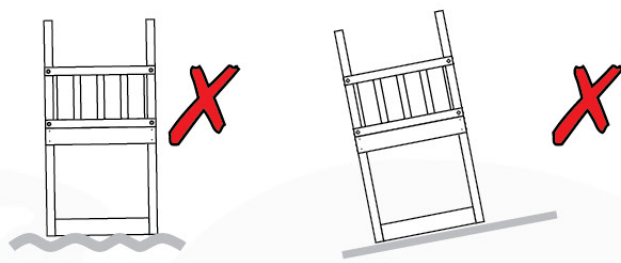
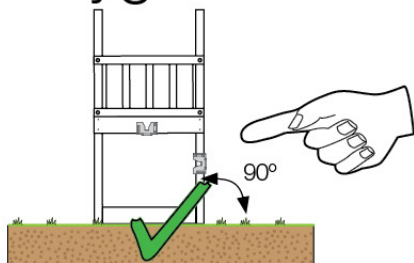
Art. Reference: _____

LOT: _____

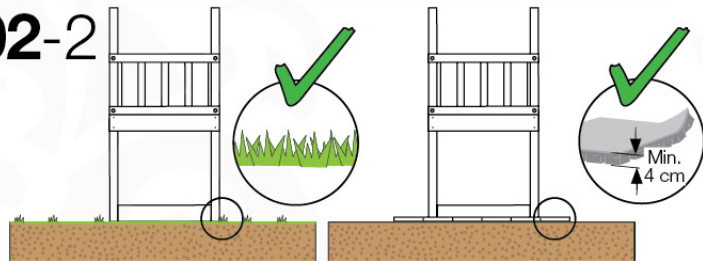


02 Safe Playground

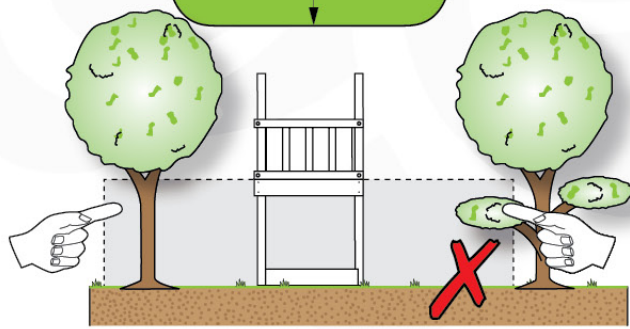
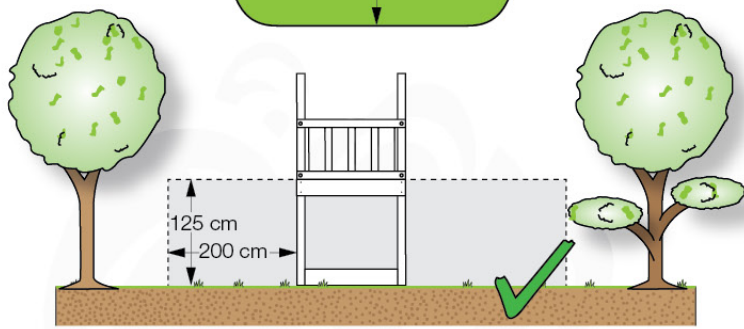
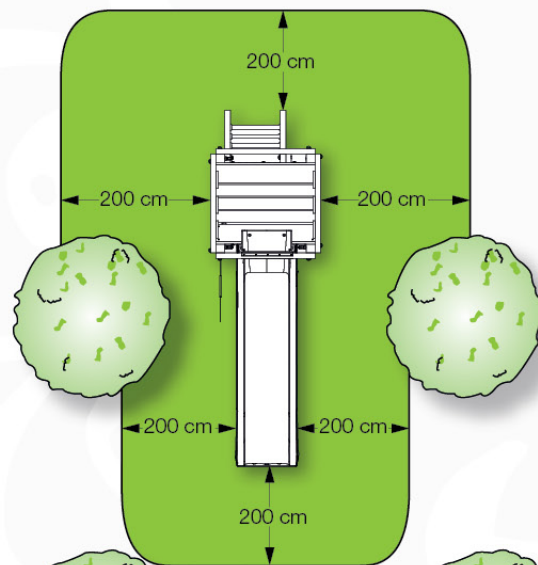
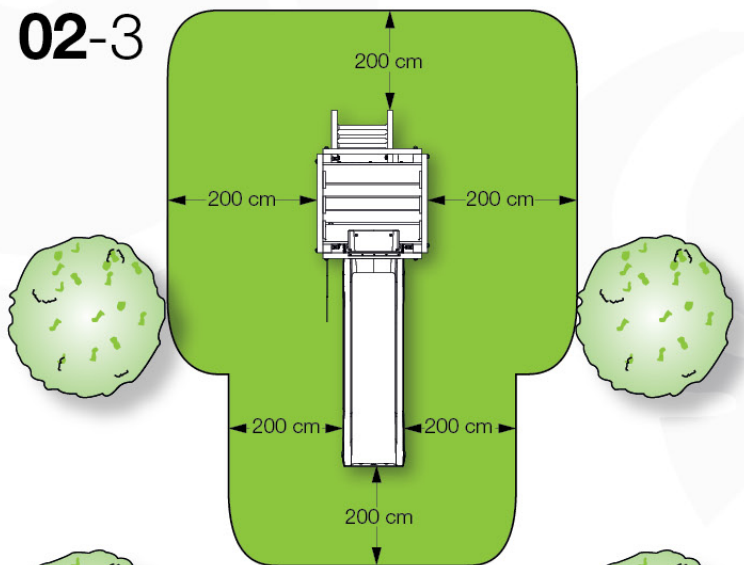
02-1



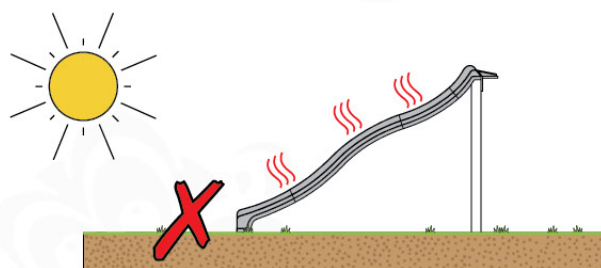
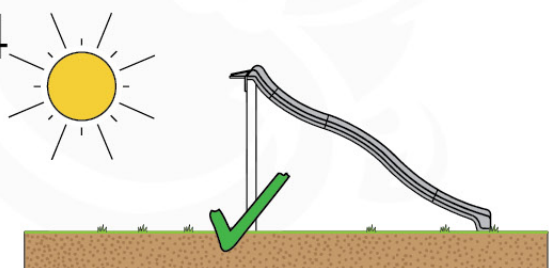
02-2



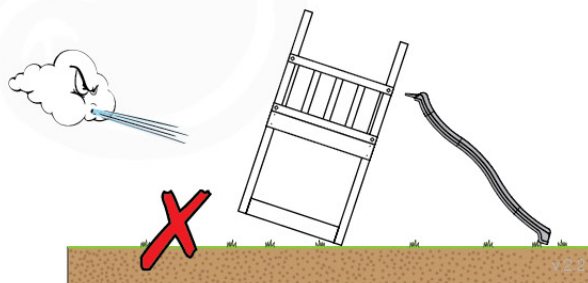
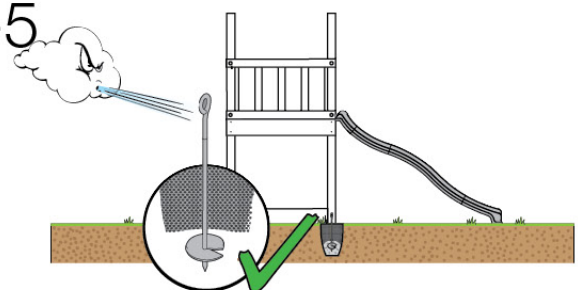
02-3



02-4



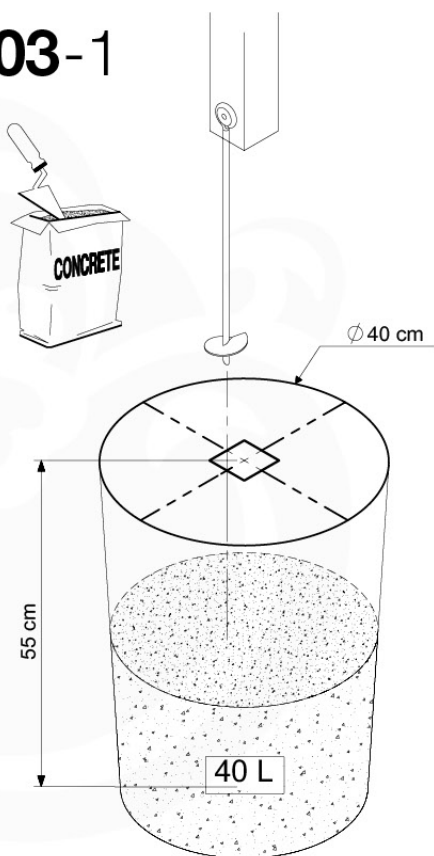
02-5



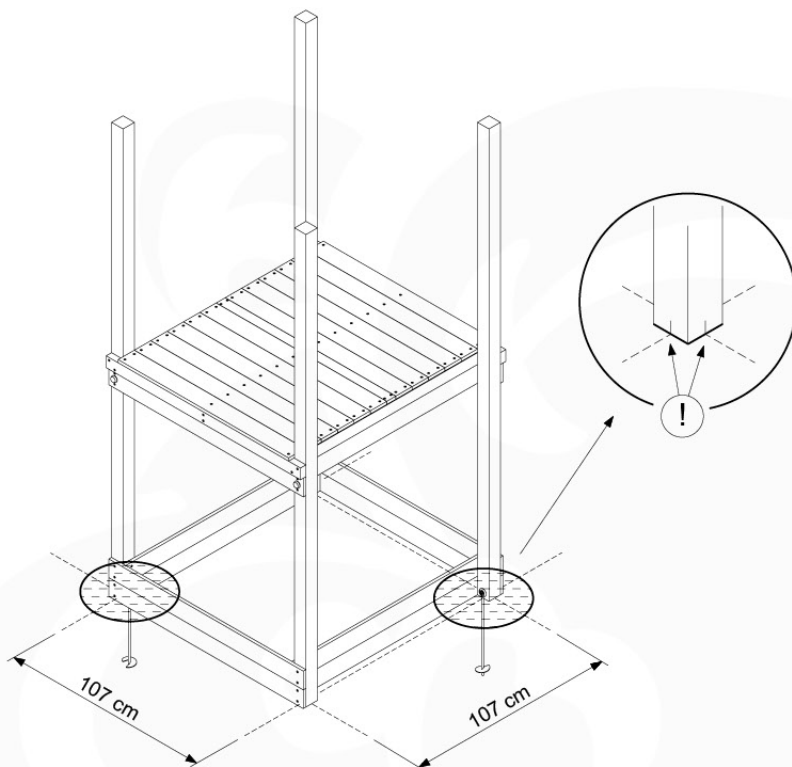
03 Playground Foundation

FD05

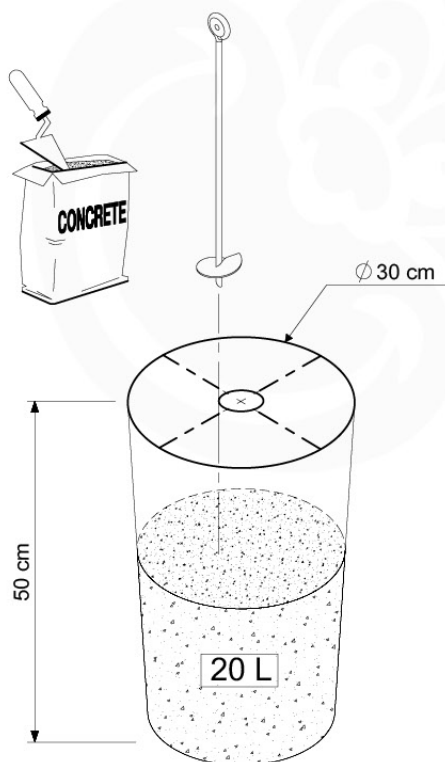
03-1



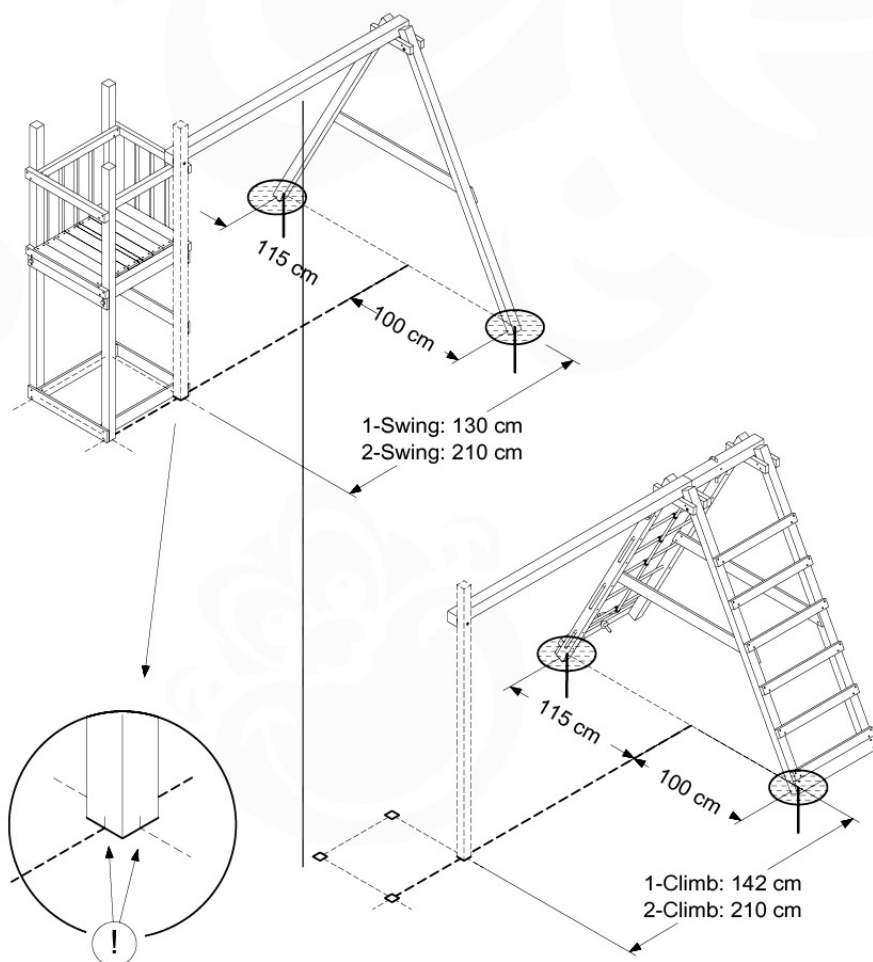
Foundation Plan - P07 - 27-11-2020 - v3



03-2



Foundation Plan - P06 - 27-11-2020 - v3

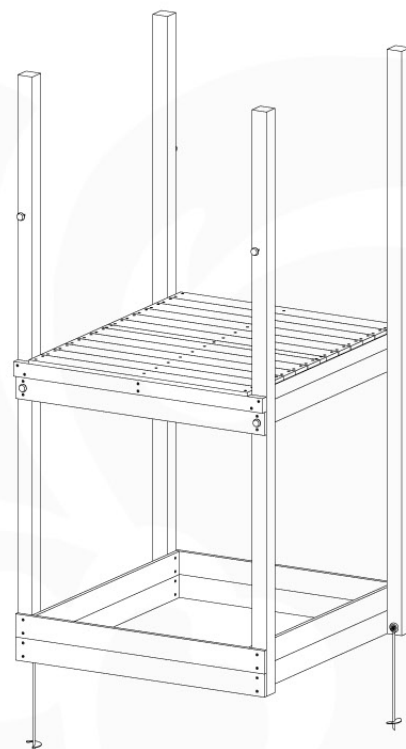


04 Base Tower

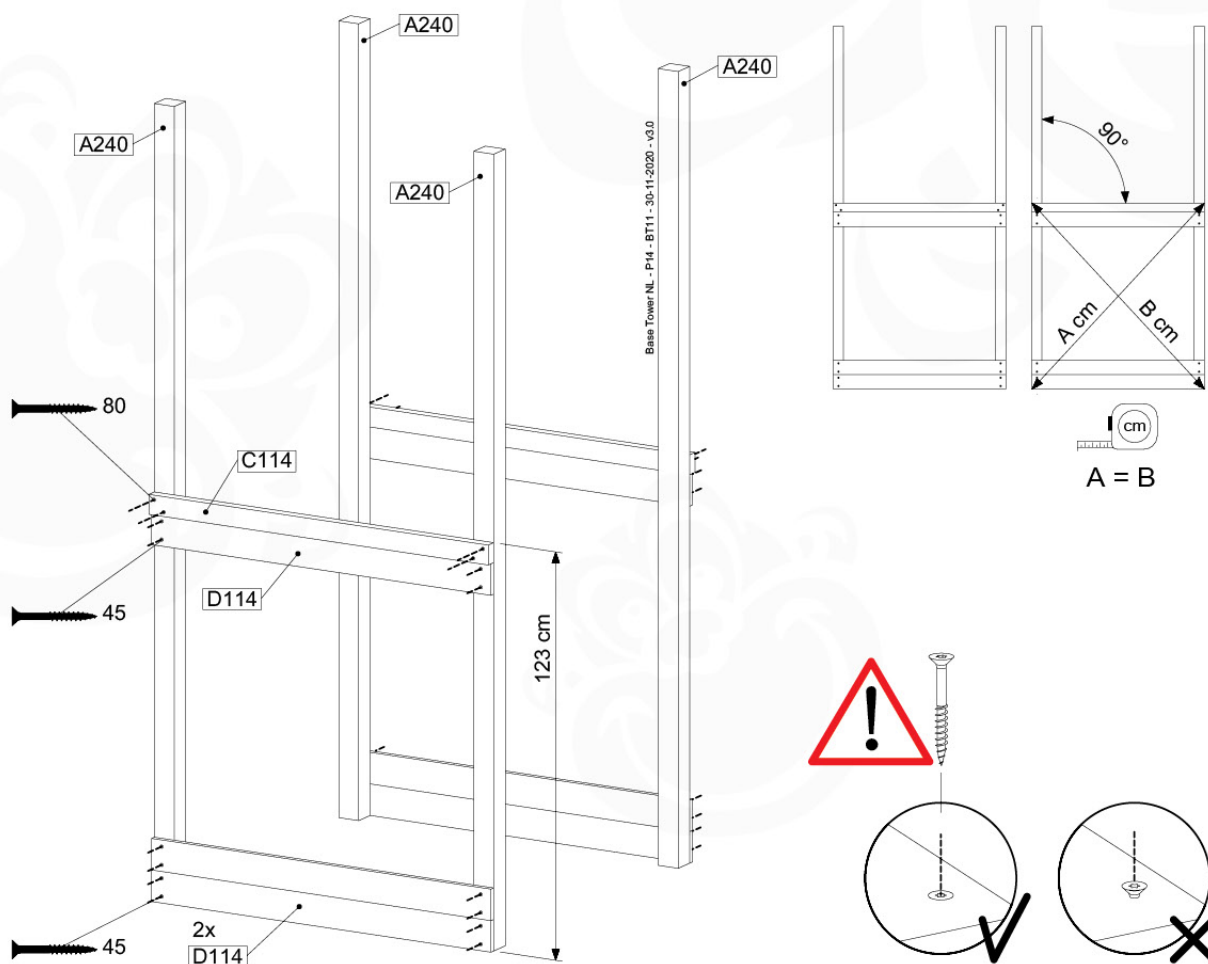
BT11

| | PartNo | PartName | QTY. |
|---------------|---------|----------------------------|-------|
| Hardware Pack | 001_406 | Stealth Screw 8x45 | 10 |
| | 002_220 | Gap Point Screw T25 - 5x45 | 118 |
| | 002_223 | Gap Point Screw T25 - 5x80 | 20 |
| Other | 007_001 | Ground-anchor | 2 |
| Hardware Pack | 022_31x | bpc-base version 3 | 8 |
| | 022_84x | bpc cover | 8 |
| Timber | A240 | Post 70x70 L2400 | 4 |
| | C114 | Beam 1140 mm | 5 |
| | D100 | Board 1000 mm | 11-14 |
| | D114 | Board 1140 mm | 12 |

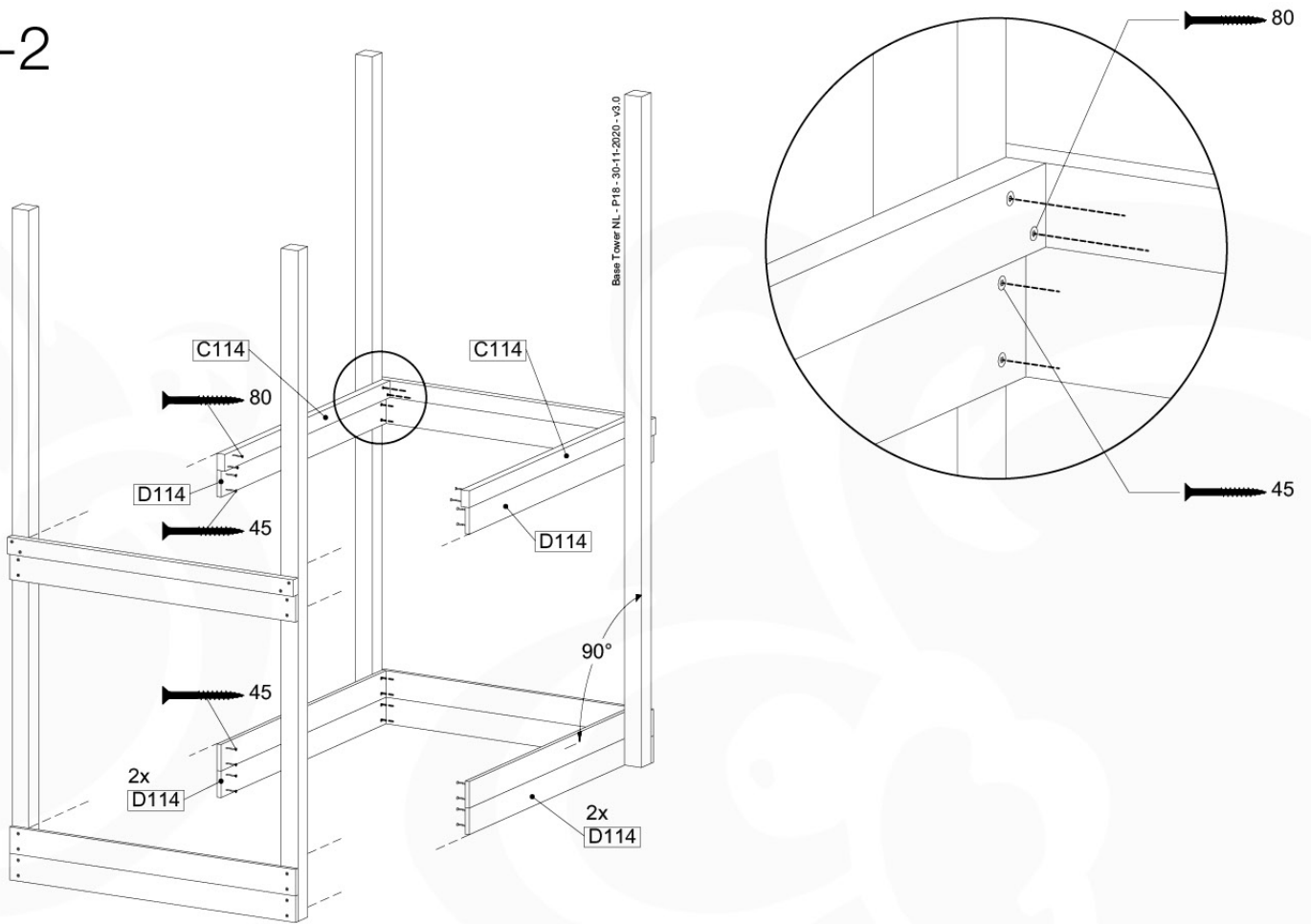
Base Tower NL - P06 - BT11 - 30-11-2020 - v3.0



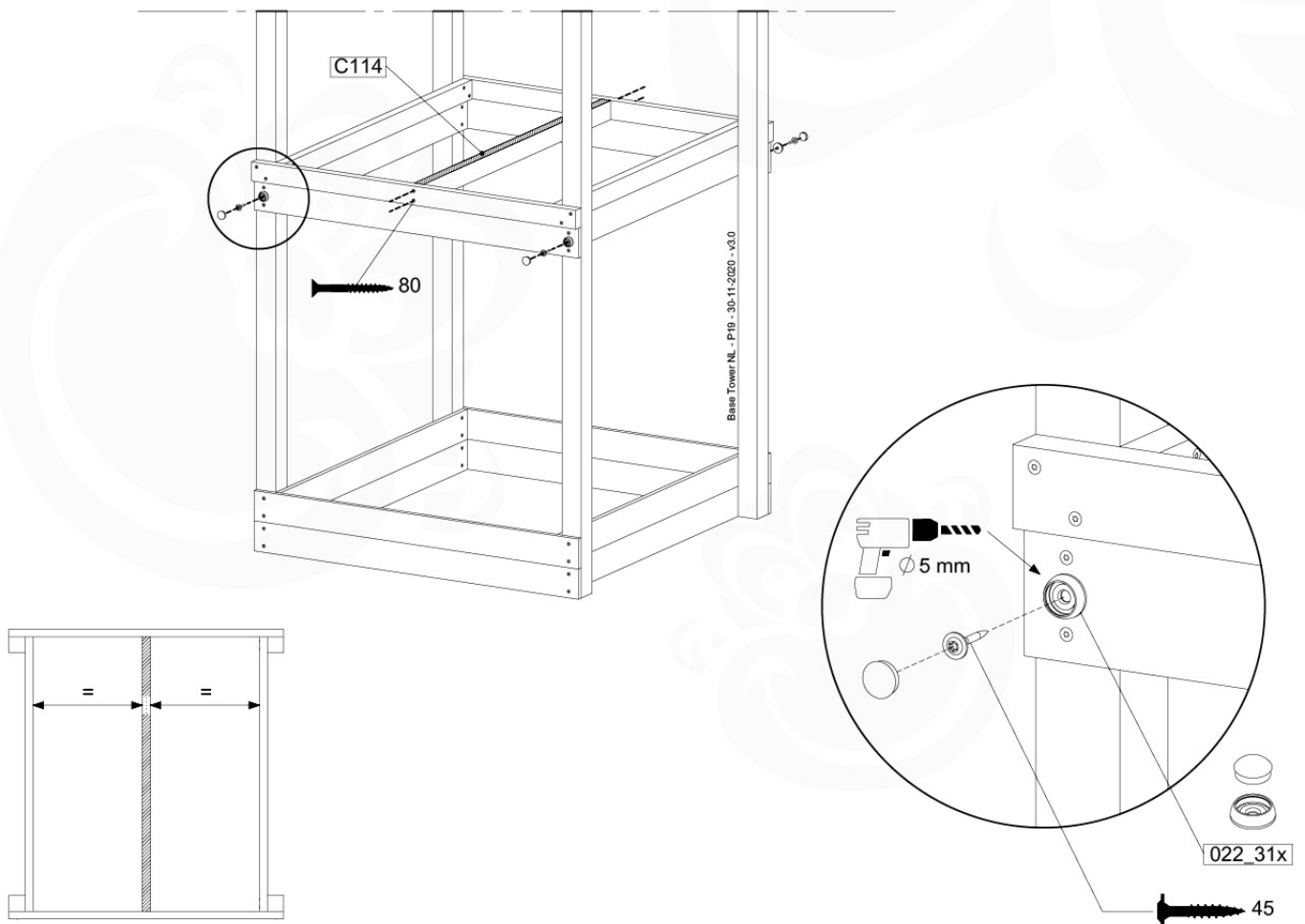
04-1



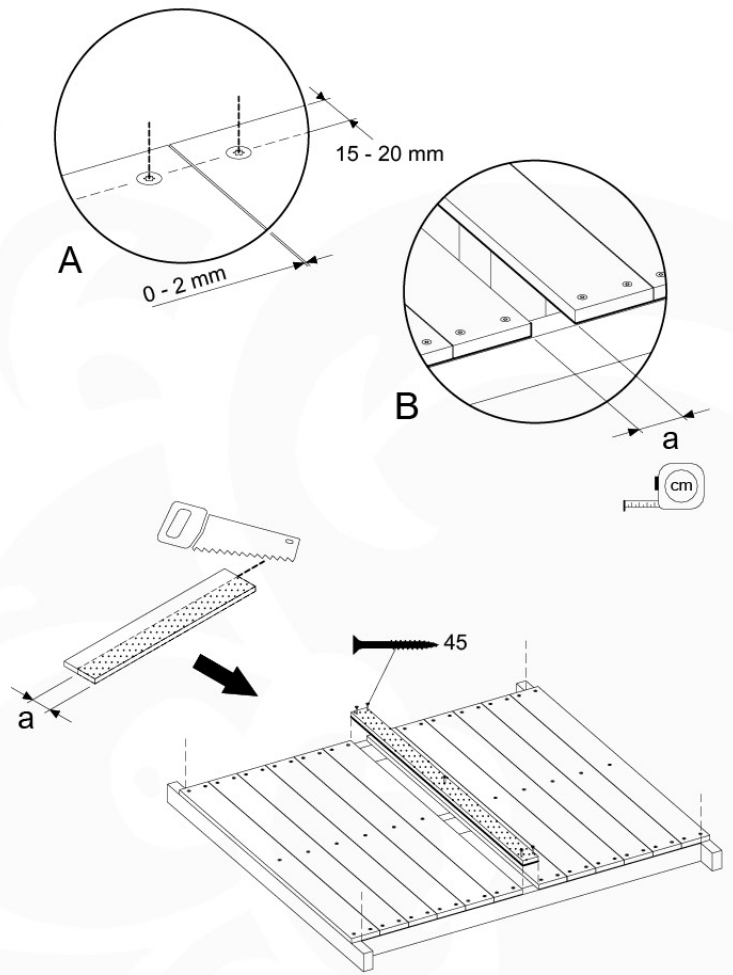
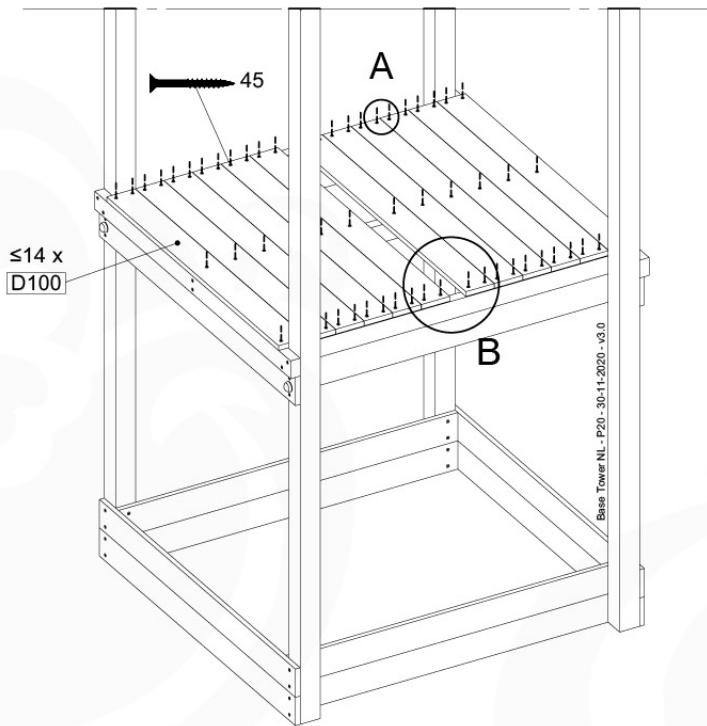
04-2



04-3

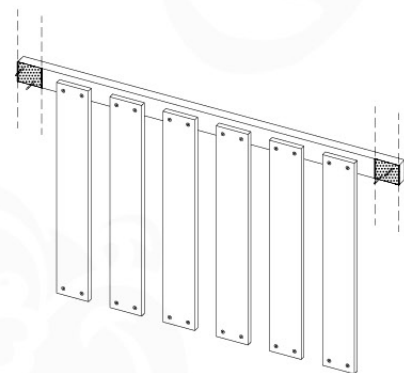


04-4



05 Balustrade (1x)

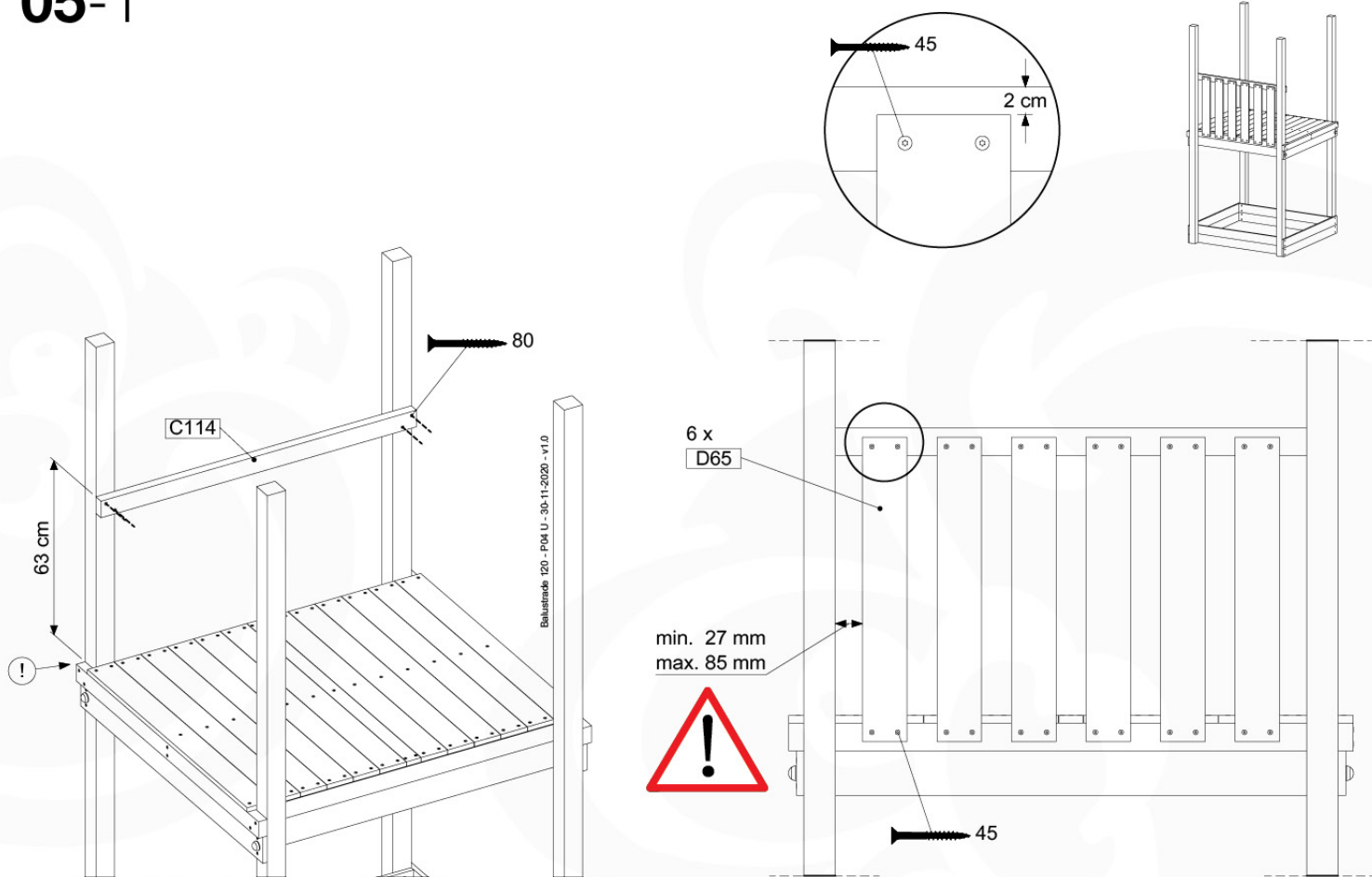
BL03



| | PartNo | PartName | QTY. |
|---------------|---------|----------------------------|------|
| Hardware Pack | 002_220 | Gap Point Screw T25 - 5x45 | 24 |
| | 002_223 | Gap Point Screw T25 - 5x80 | 4 |
| Timber | C114 | Beam 1140 mm | 1 |
| | D65 | Board 650 mm | 6 |

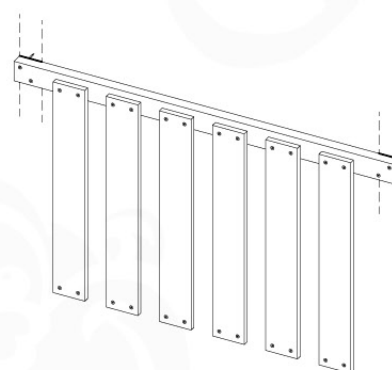
Balustrade 120 - P02 U - 30-11-2020 - v1.0

05-1



06 Balustrade (1x)

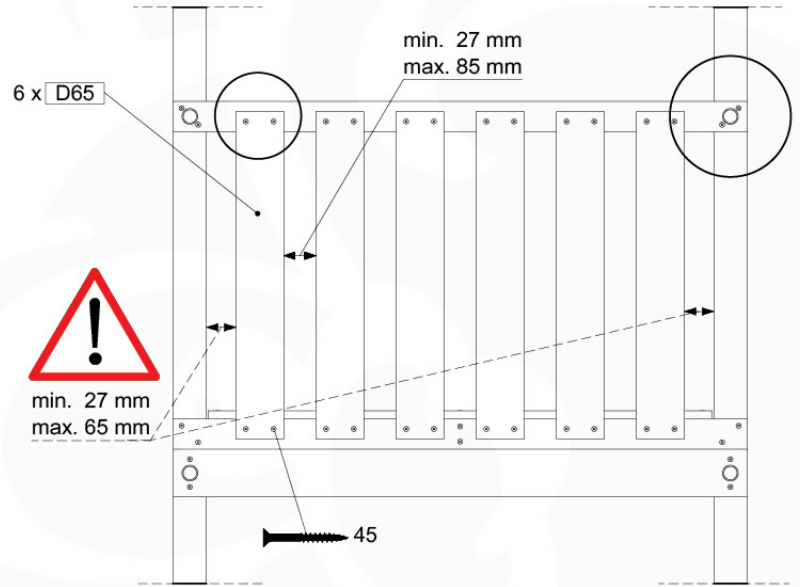
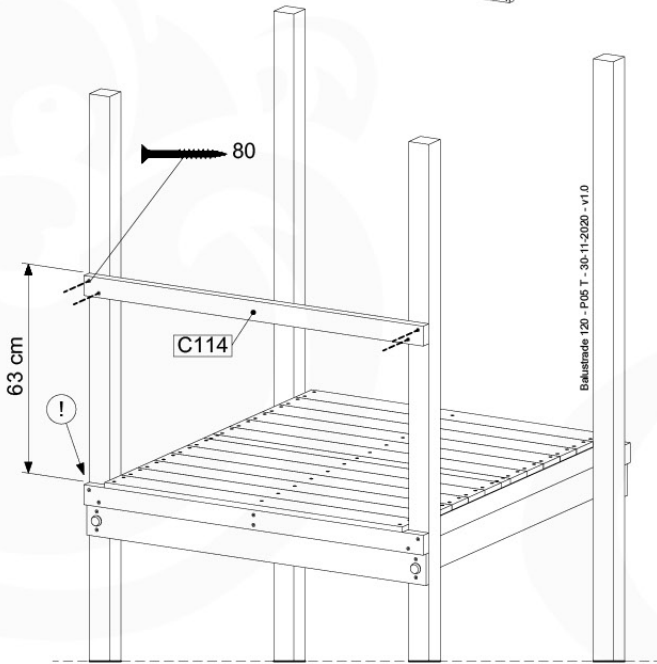
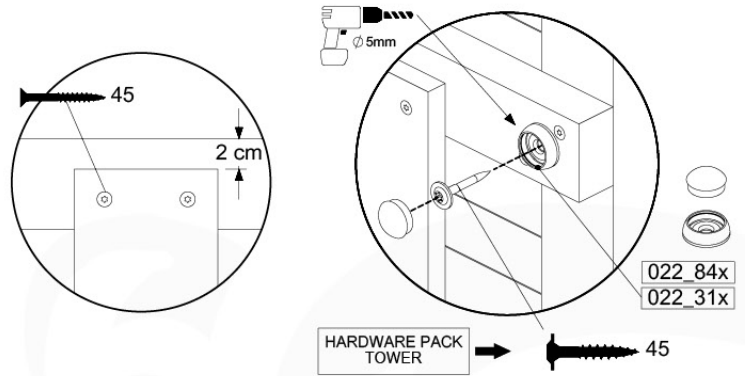
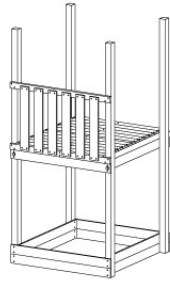
BL04



| | PartNo | PartName | QTY. |
|---------------|---------|----------------------------|------|
| Hardware Pack | 002_220 | Gap Point Screw T25 - 5x45 | 24 |
| | 002_223 | Gap Point Screw T25 - 5x80 | 4 |
| Timber | C114 | Beam 1140 mm | 1 |
| | D65 | Board 650 mm | 6 |

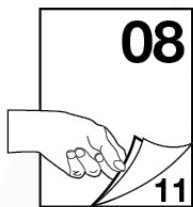
Balustrade 120 - P04 U - 30-11-2020 - v1.0

06-1

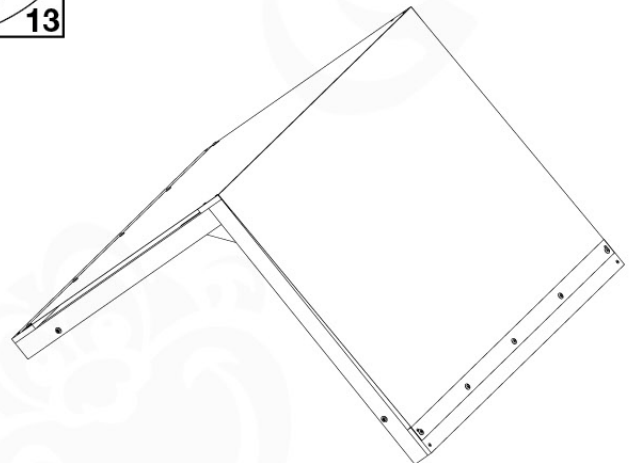
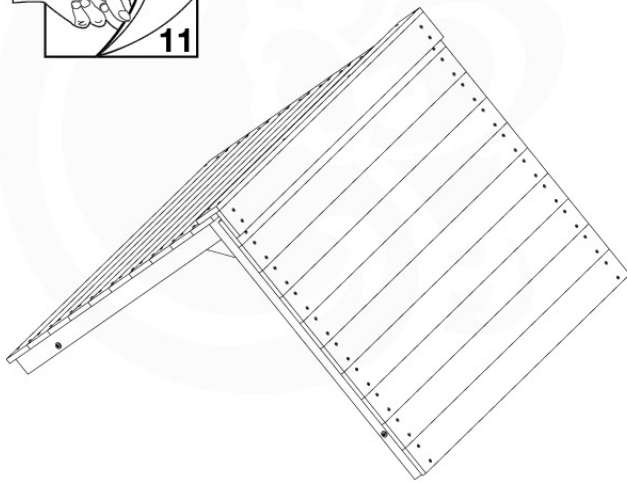
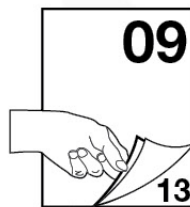


07 Roof

Club

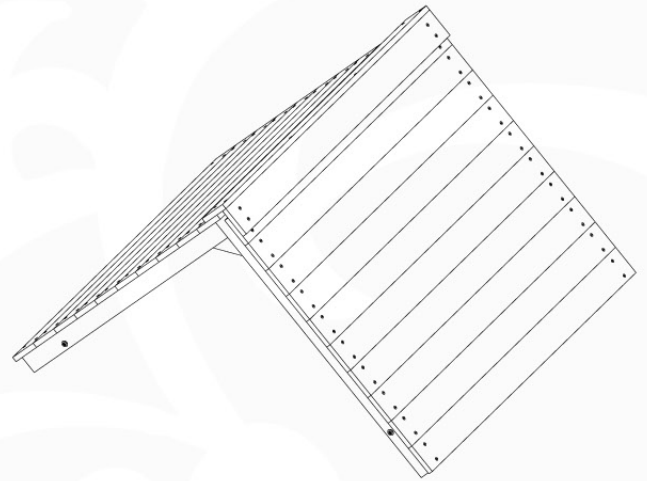


Castle



08 Roof Club

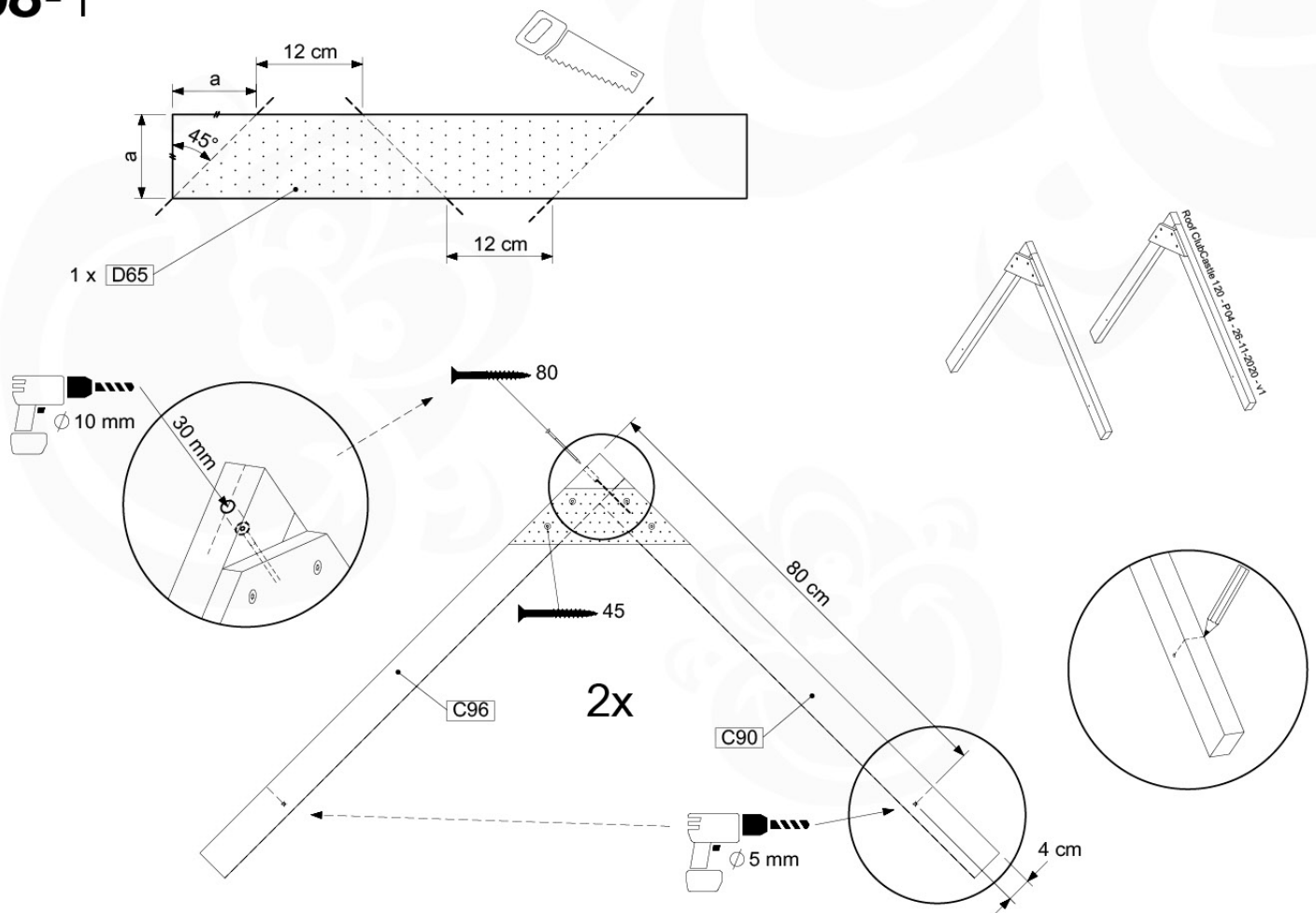
RF08



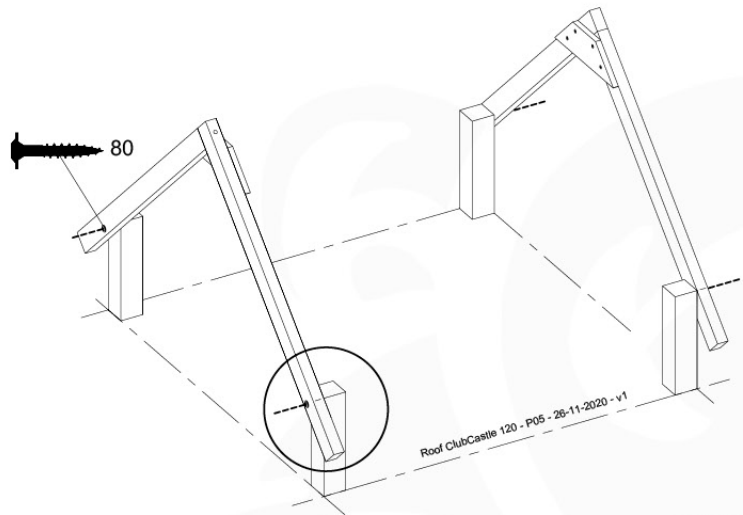
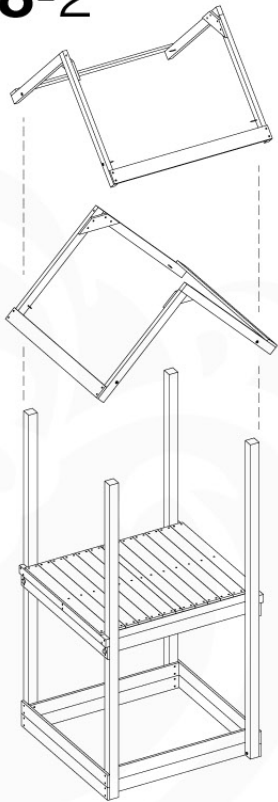
| | PartNo | PartName | QTY. |
|---------------|---------|----------------------------|-------|
| Hardware Pack | 001_417 | Stealth Screw 8x80 | 4 |
| | 002_220 | Gap Point Screw T25 - 5x45 | 100 |
| | 002_223 | Gap Point Screw T25 - 5x80 | 8 |
| Timber | C90 | Beam 900 mm | 2 |
| | C96 | Beam L=(900+beamheight) mm | 2 |
| | D65 | Board 650 mm | 1 |
| | D127 | Board 1270 mm | 18-24 |

Roof Club/Castle 120 - P03 - RF08 - 26-11-2020 - v1

08-1

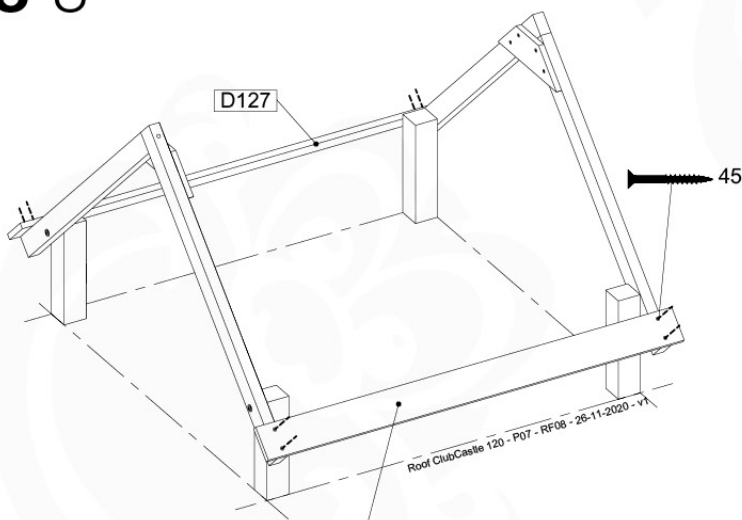


08-2



Roof ClubCastle 120 - P05 - 26-11-2020 - v1

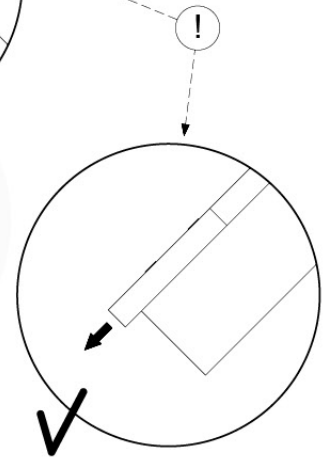
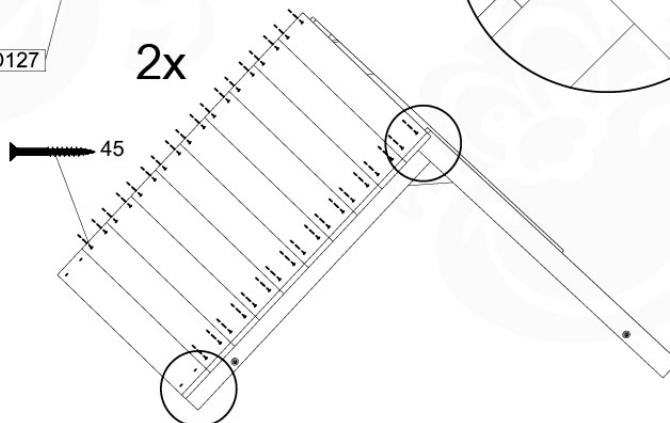
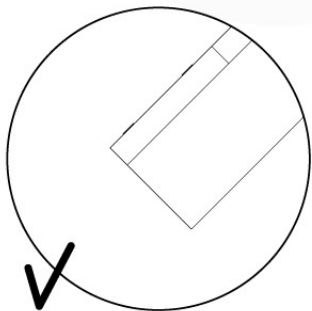
08-3



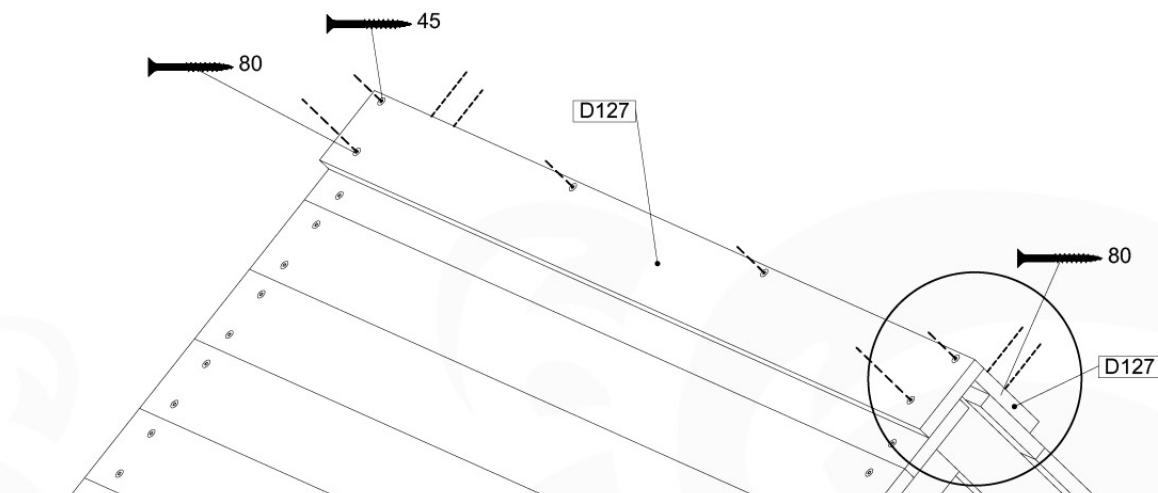
Roof ClubCastle 120 - P07 - RF06 - 26-11-2020 - v1

≤ 11 x D127

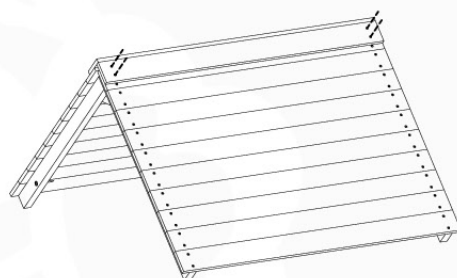
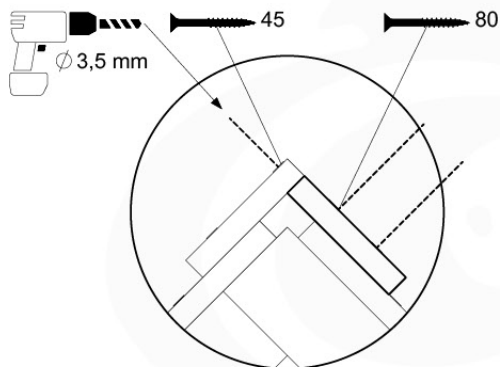
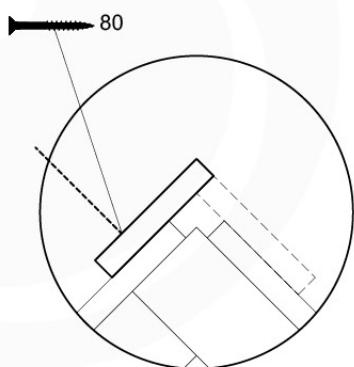
2x



08-4



Roof ClubCastle 120 - P08 - RF08 - 26-11-2020 - v1

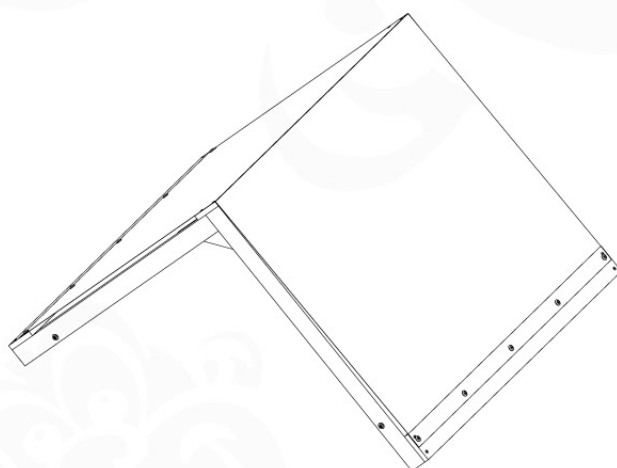


09 Roof Castle

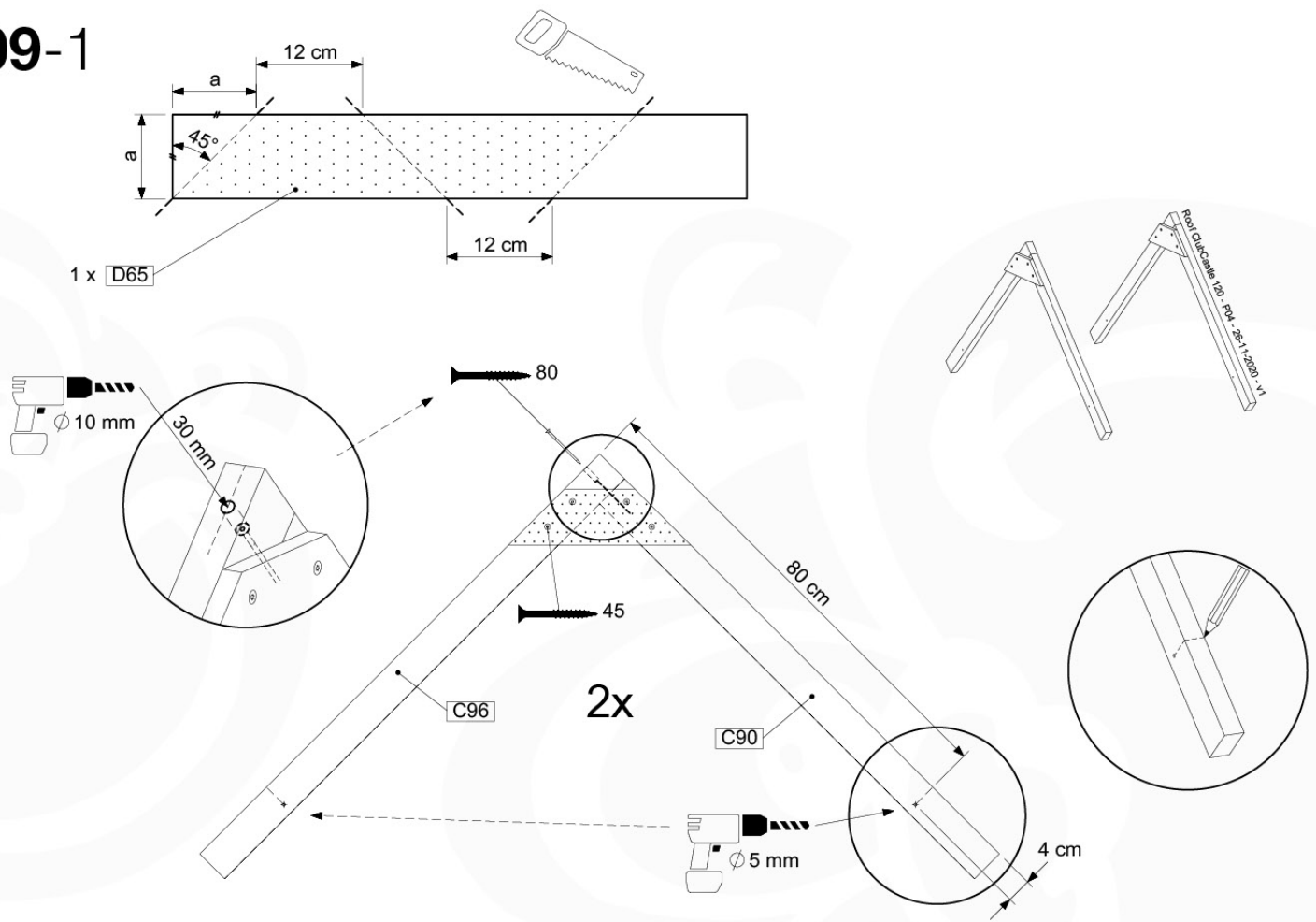
RF07

| | PartNo | PartName | QTY. |
|---------------|---------|---------------------------------------|------|
| Hardware Pack | 001_417 | Stealth Screw 8x80 | 4 |
| | 002_220 | Gap Point Screw T25 - 5x45 | 20 |
| | 002_223 | Gap Point Screw T25 - 5x80 | 2 |
| | 002_308 | Gap Point Screw T25 - 5x20 | 10 |
| | 023_031 | Finishing Washer GPS 5.0 | 10 |
| Other | 123_222 | Sheet Canvas Navigator Line 1200x1850 | 1 |
| Timber | C90 | Beam 900 mm | 2 |
| | C96 | Beam L=(900+beamheight) mm | 2 |
| | D65 | Board 650 mm | 1 |
| | D120 | Board 1200 mm | 3 |

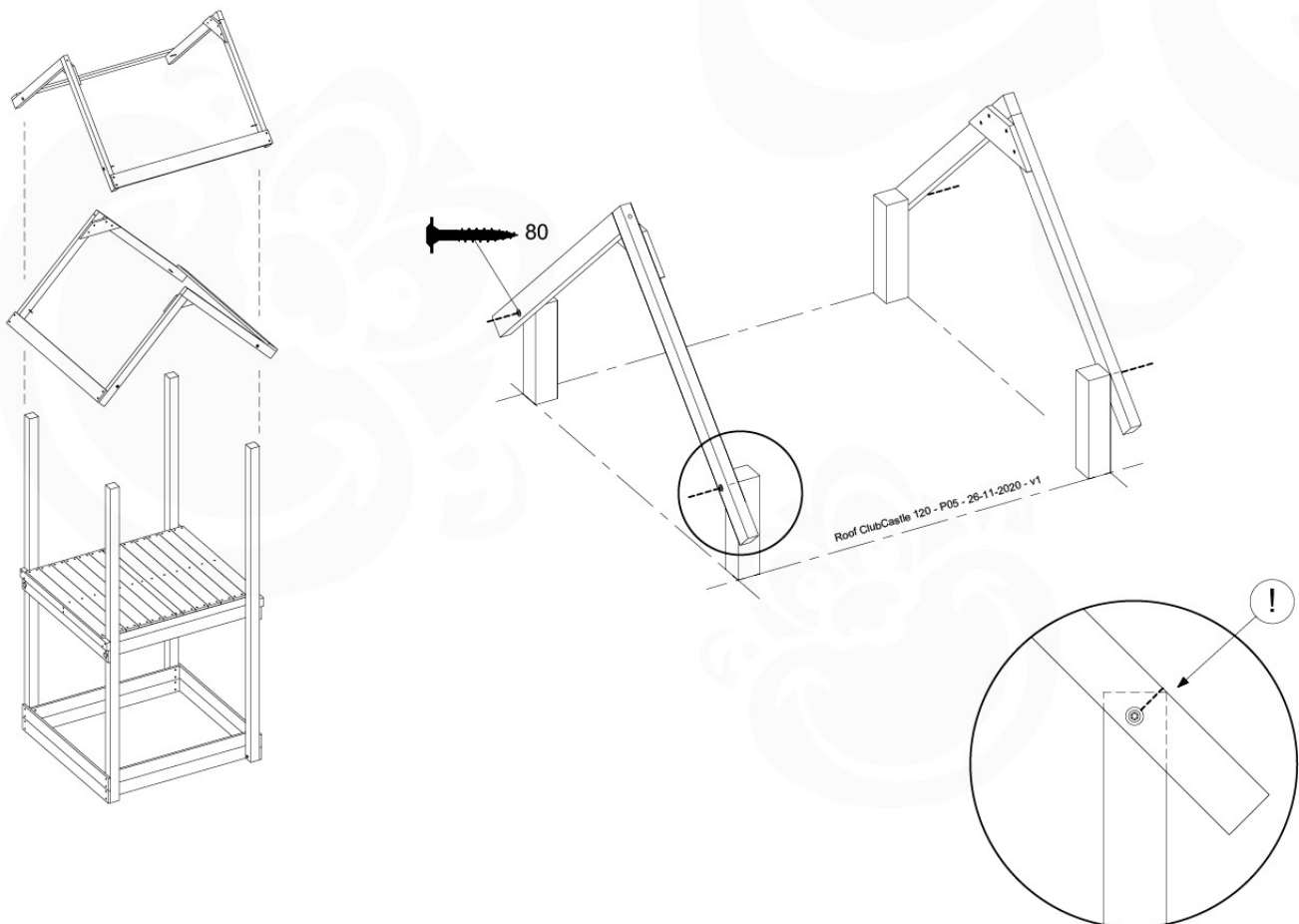
Roof ClubCastle 120 - P02 - RF07 - 26-11-2020 - v1



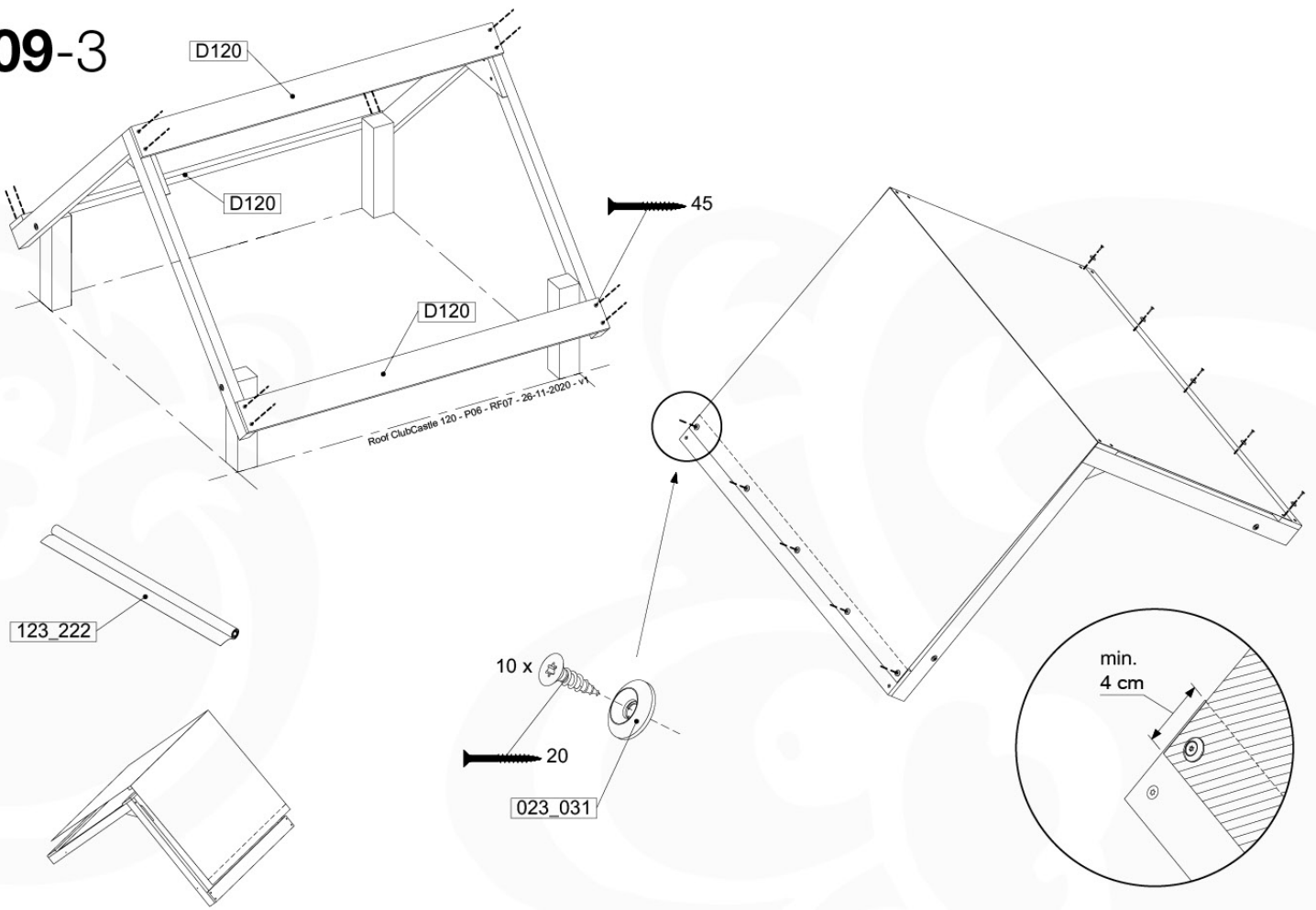
09-1



09-2



09-3

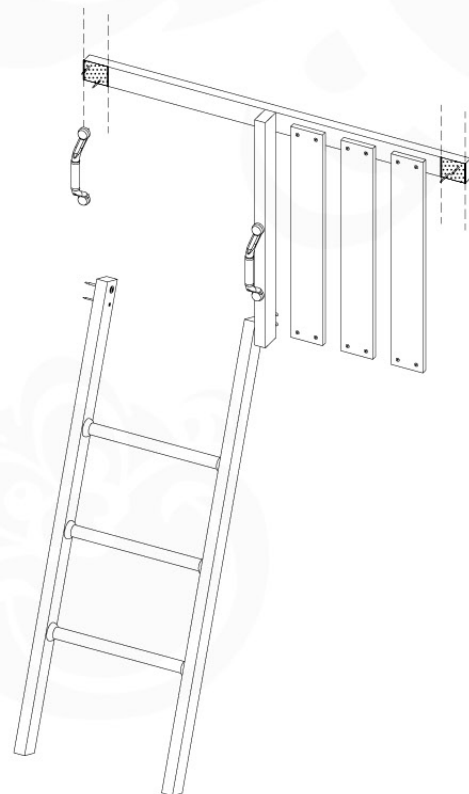


10 Ladder

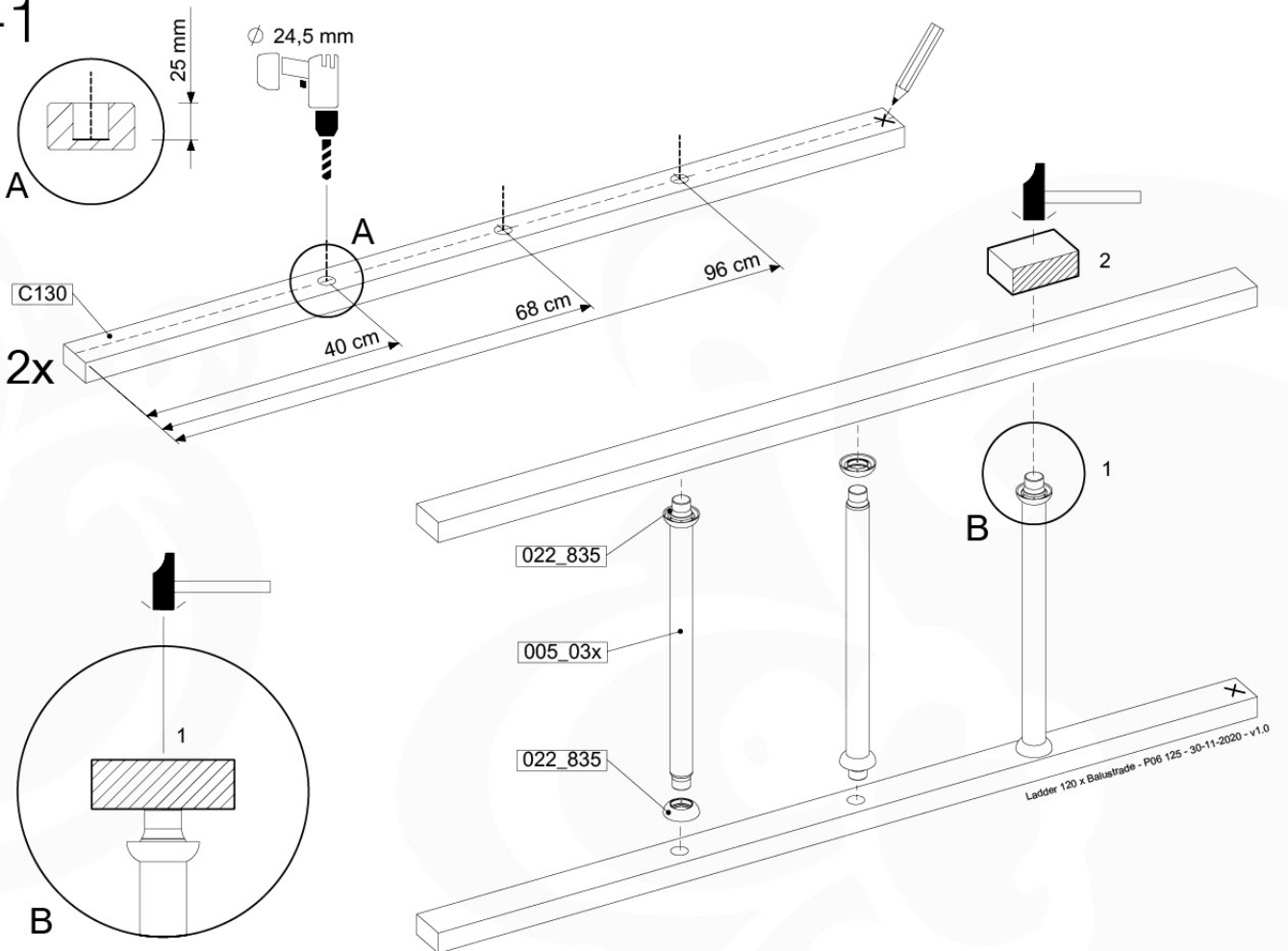
LA11

| | PartNo | PartName | QTY. |
|---------------|---------|----------------------------|------|
| Hardware Pack | 001_411 | Stealth Screw 8x60 | 2 |
| | 001_417 | Stealth Screw 8x80 | 1 |
| | 002_220 | Gap Point Screw T25 - 5x45 | 22 |
| | 002_223 | Gap Point Screw T25 - 5x80 | 9 |
| Other | 005_03x | Ladder Rung Y/B/G/R | 3 |
| | 022_835 | Rung Cap | 6 |
| | 120_102 | Handgrip set (complete 2x) | 1 |
| Timber | C70 | Beam 700 mm | 1 |
| | C114 | Beam 1140 mm | 1 |
| | C130 | Beam 1300 mm | 2 |
| | D65 | Board 650 mm | 3 |

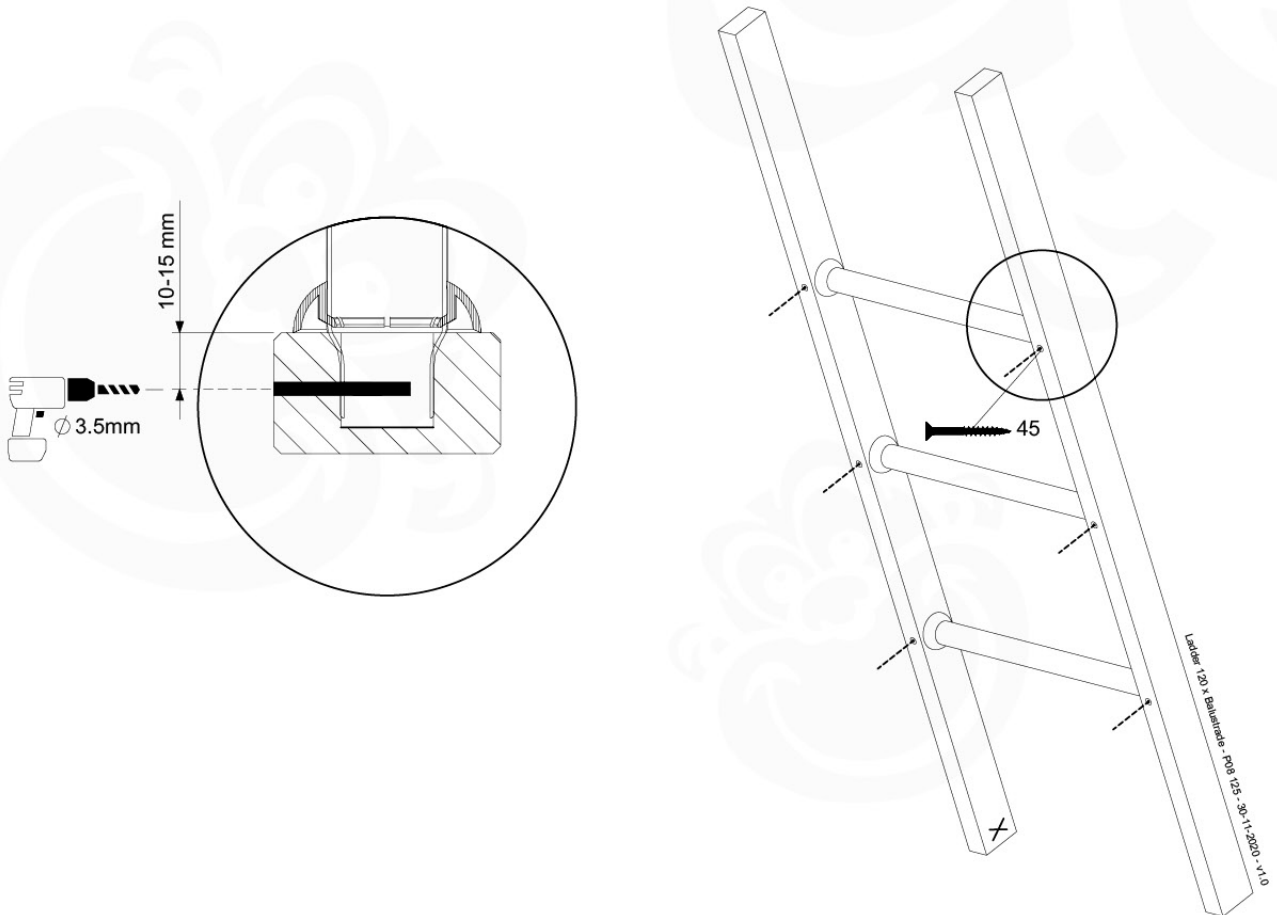
Ladder 120x Bakstrade - P02 UL - 30-11-2020 - v1.0



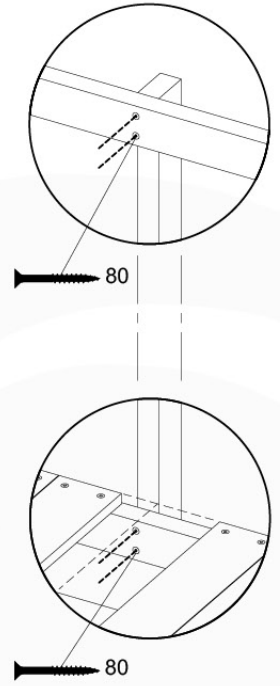
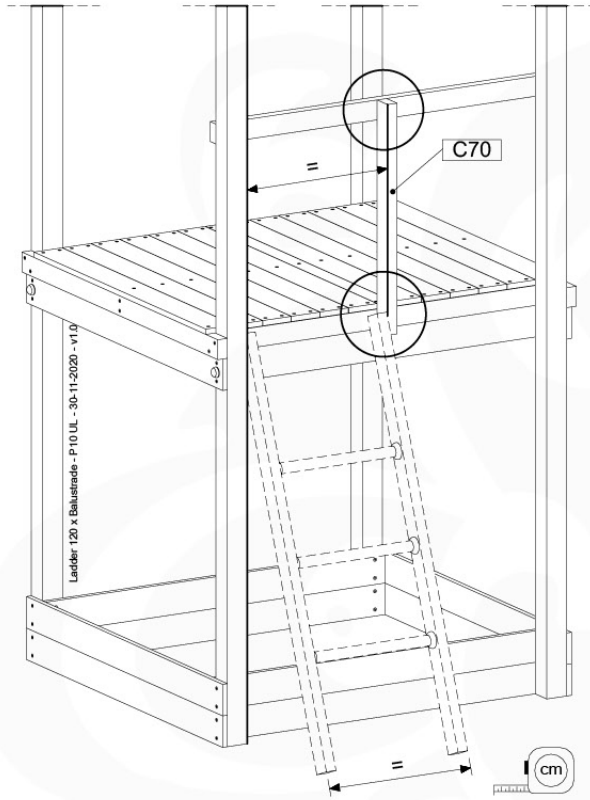
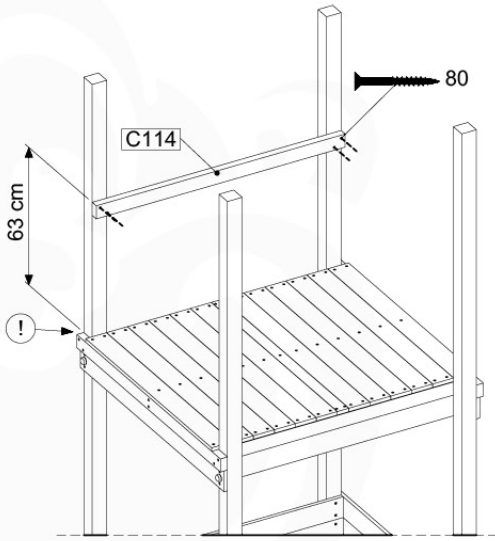
10-1



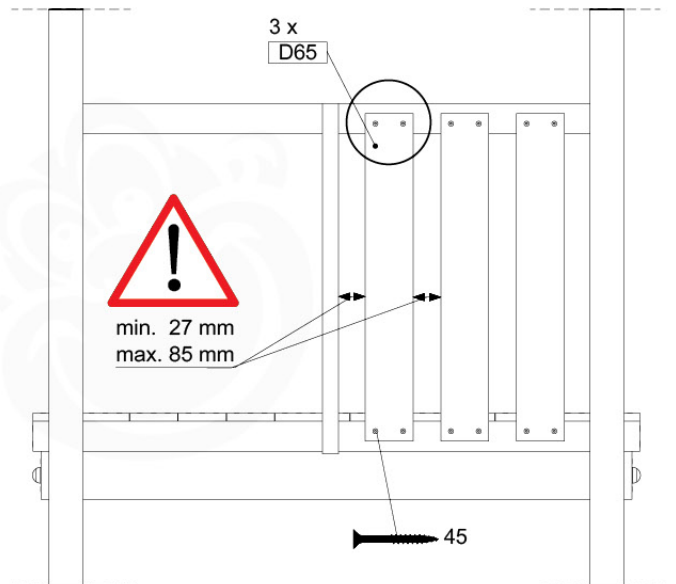
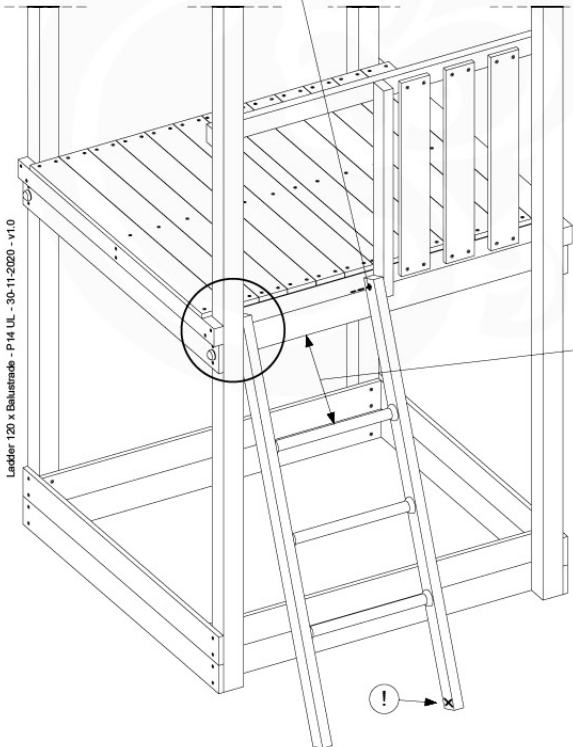
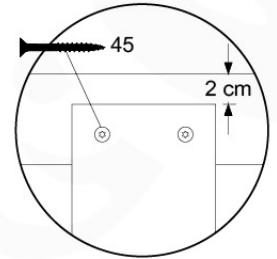
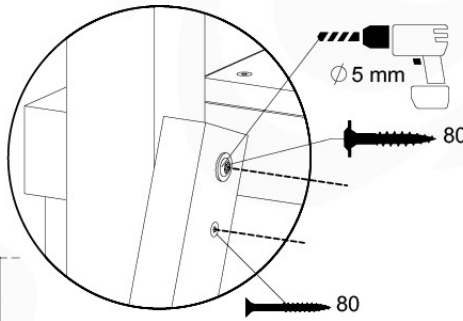
10-2



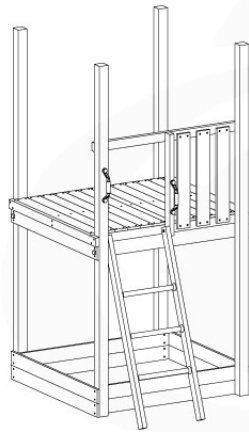
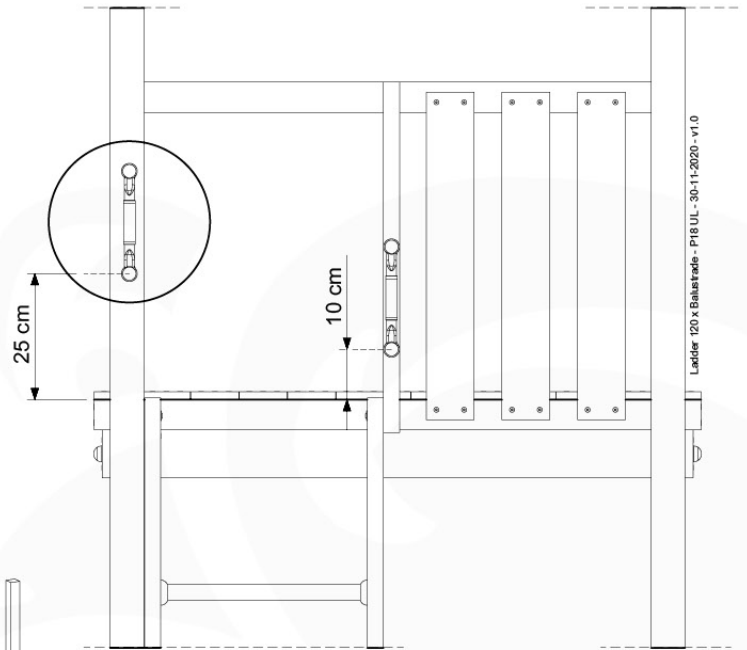
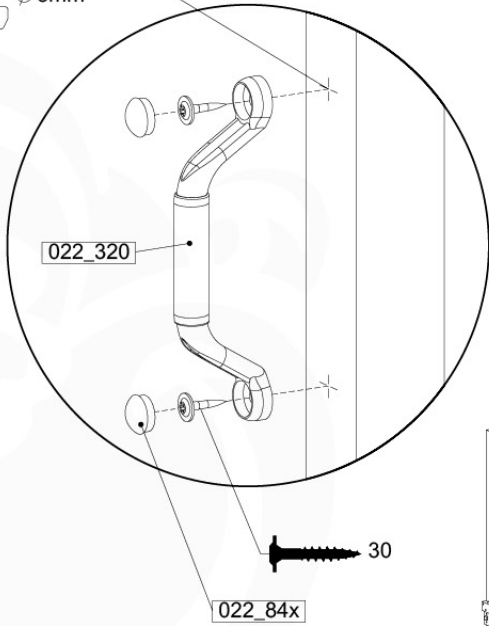
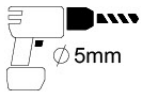
10-3



10-4



10-5



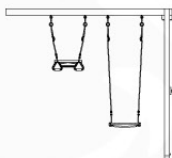
11 Swing Frame / Climb Frame



12



+



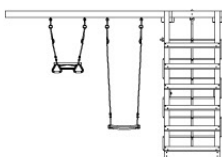
1-Swing frame / 2-Swing frame
457_101
457_102



12



+



1-Climb frame / 2-Climb frame
457_105
457_106

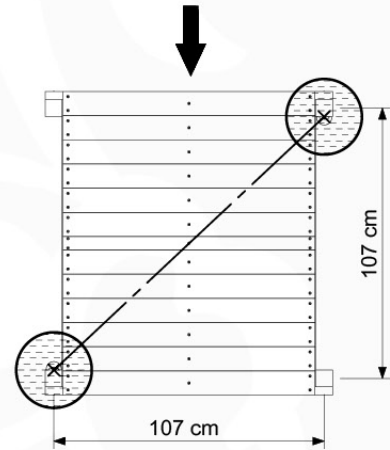
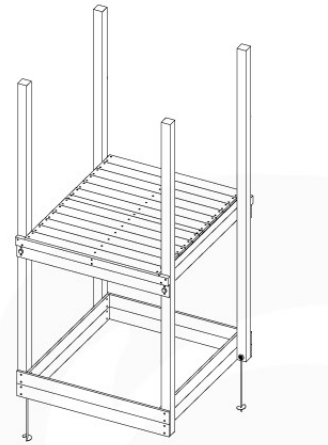
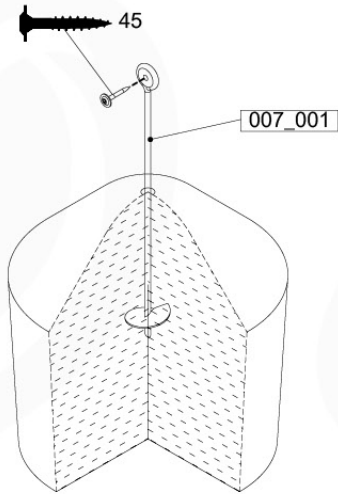


12

12 Ground Anchors

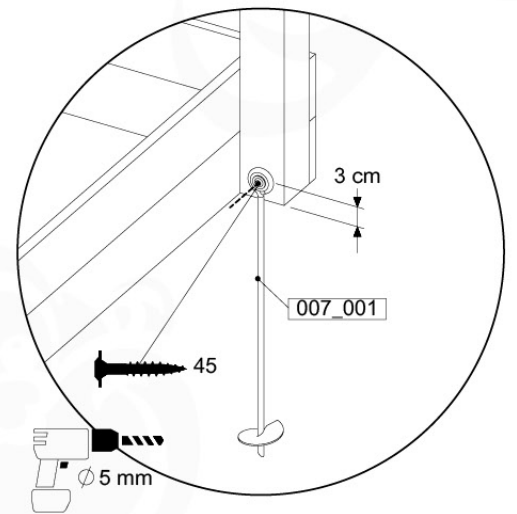
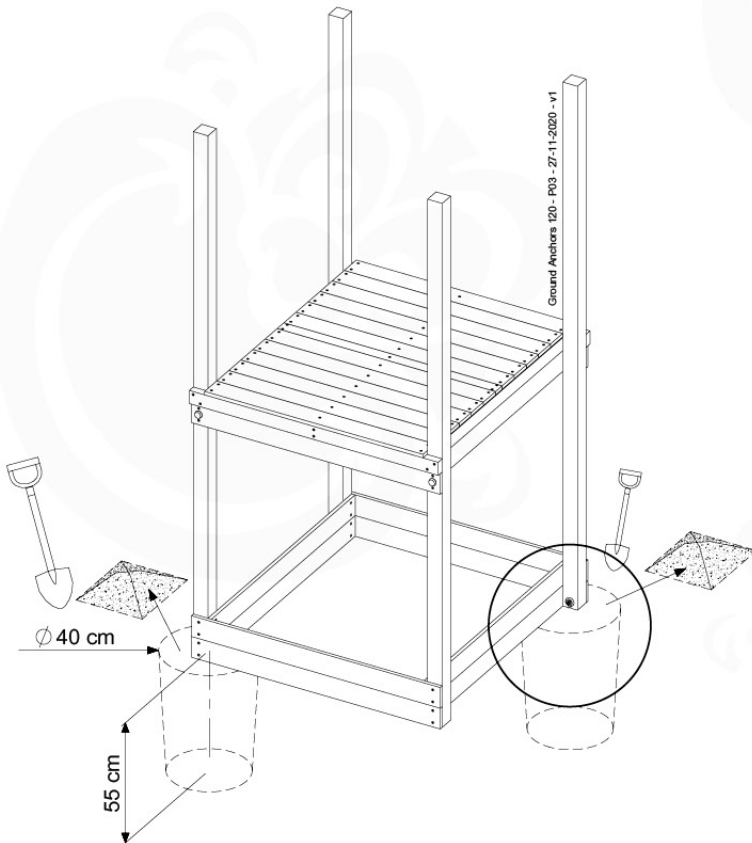
GA05

Parts:
Hardware Package Tower →



Ground Anchors 120 - P02 - 27-11-2020 - v1

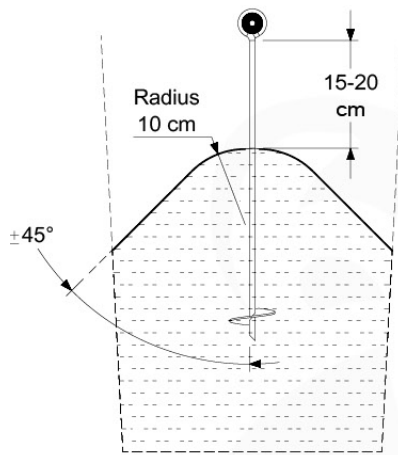
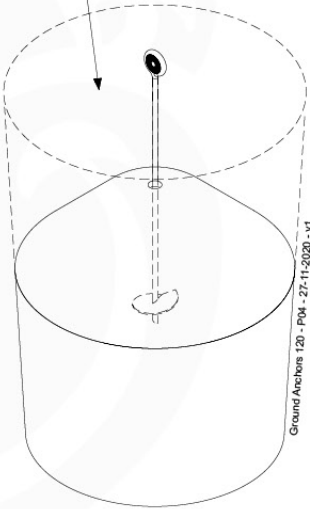
12-1



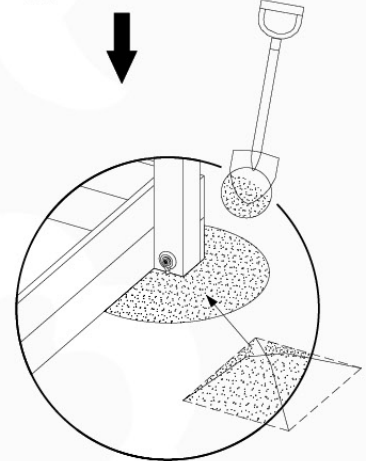
12-2



40 L / 80 kg



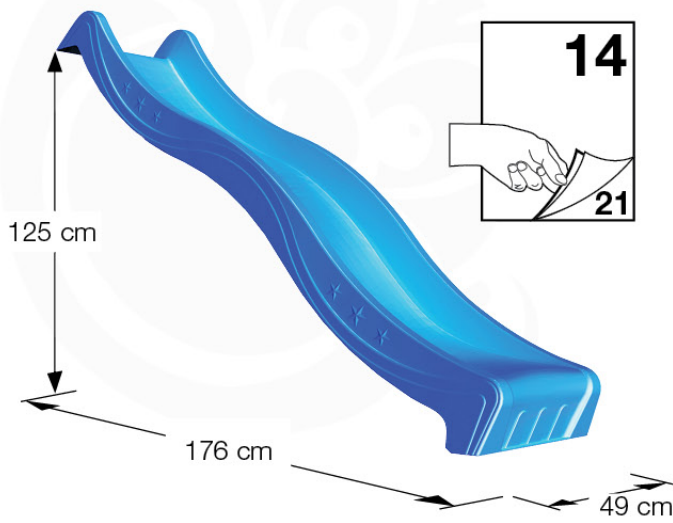
24h



13 Add-on

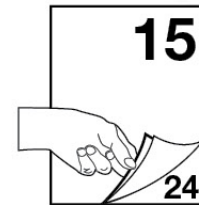
Wavy Star Slide XL

- 324_100 Yellow
- 324_400 Red
- 324_200 Blue
- 324_500 Fuchsia
- 324_300 Green
- 324_600 Dark Green



Fireman's Pole

201_275

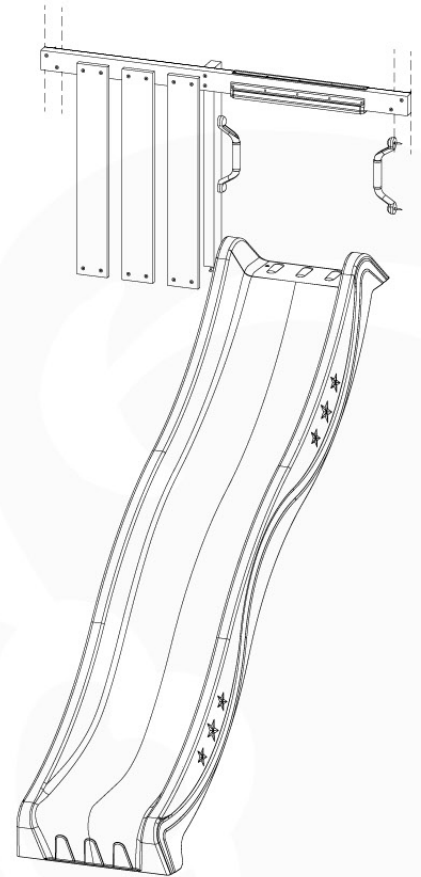


14 Slide Set

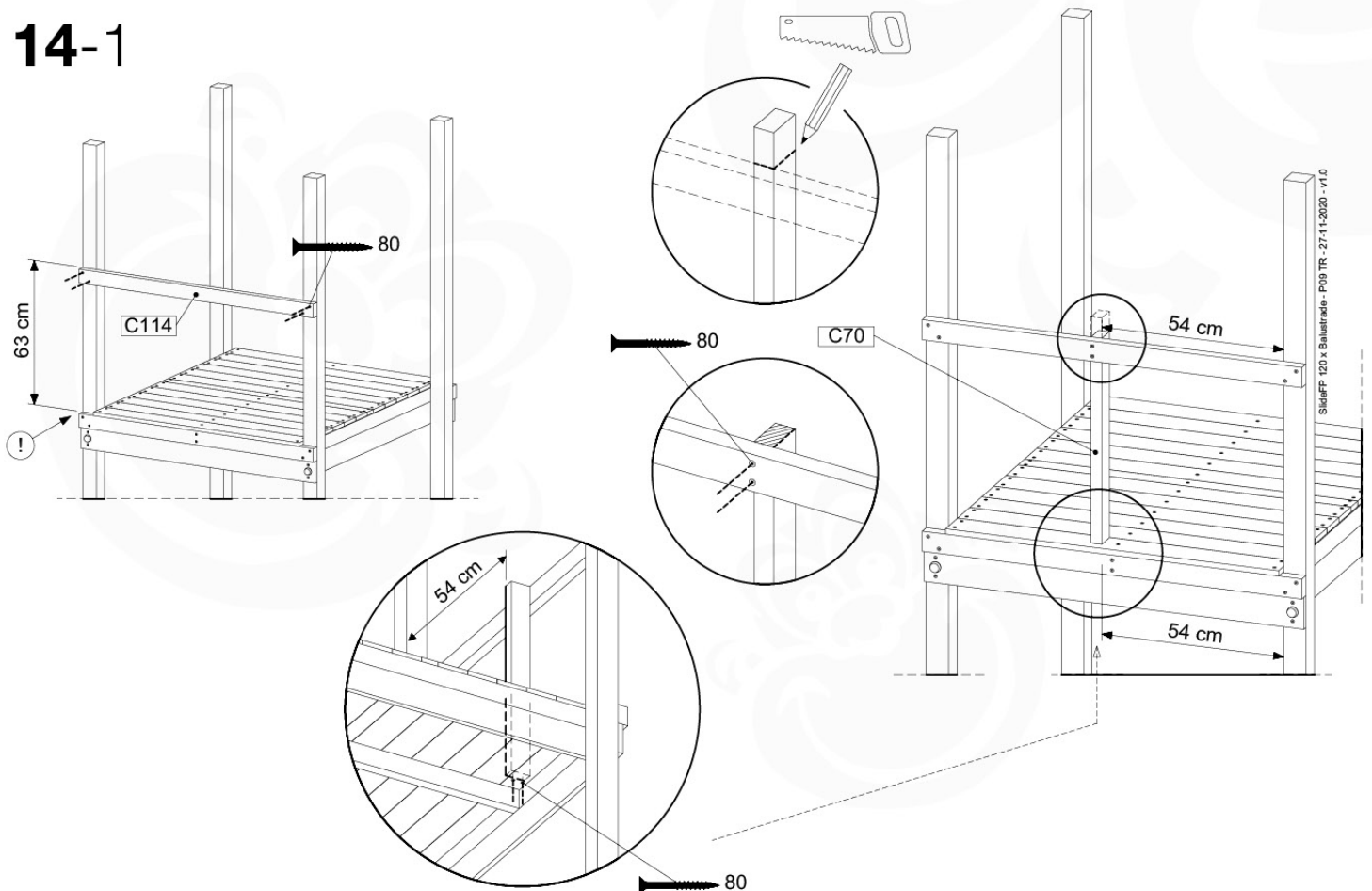
SL09

| | PartNo | PartName | QTY. |
|---------------|--------------------|---|------|
| Hardware Pack | 000_101 | Nail Pan Head | 10 |
| | 002_220 | Gap Point Screw T25 - 5x45 | 16 |
| | 002_223 | Gap Point Screw T25 - 5x80 | 8 |
| | 002_308 | Gap Point Screw T25 - 5x20 | 2 |
| Other | 120_102 | Handgrip set (complete 2x) | 1 |
| | 123_200 | Bumperpad | 1 |
| | 324_xxx 334_xxx | Wavy Star Slide XL 2200 mm / Wavy Star Slide XXL 2650 mm | 1 |
| Timber | C70 | Beam 700 mm | 1 |
| | C114 | Beam 1140 mm | 1 |
| | D65 | Board 650 mm | 3 |

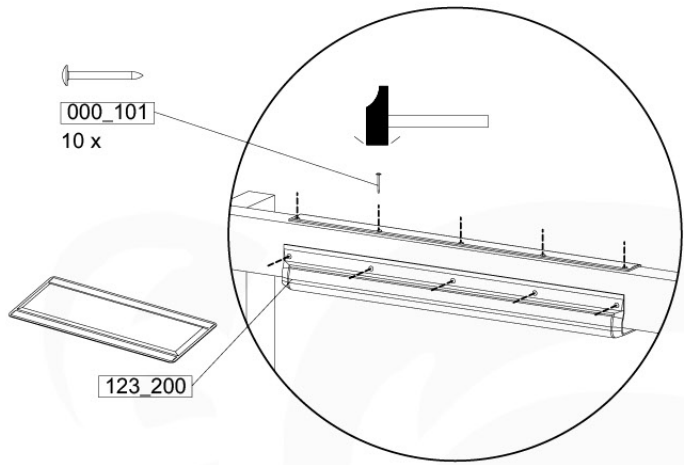
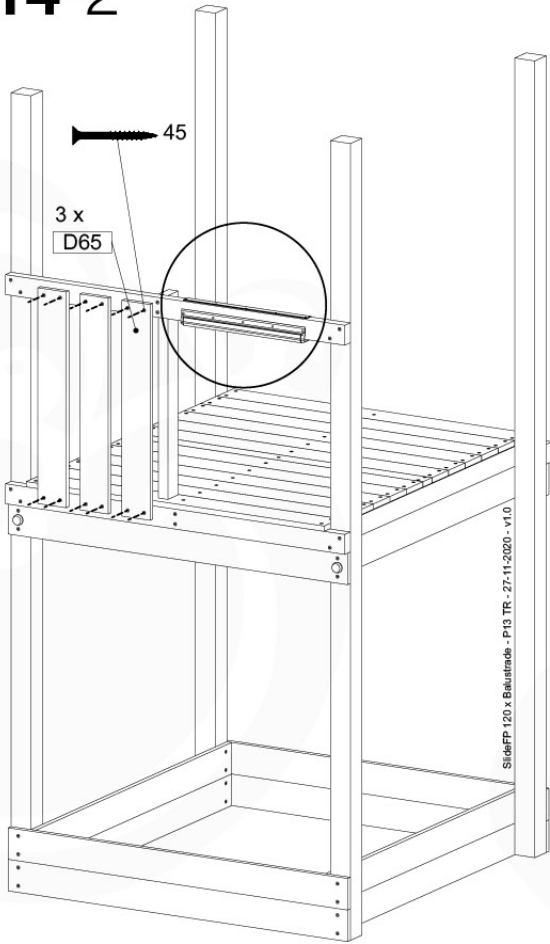
SlideFP 120 x Balustrade - P09 TR - 27-11-2020 - v1.0



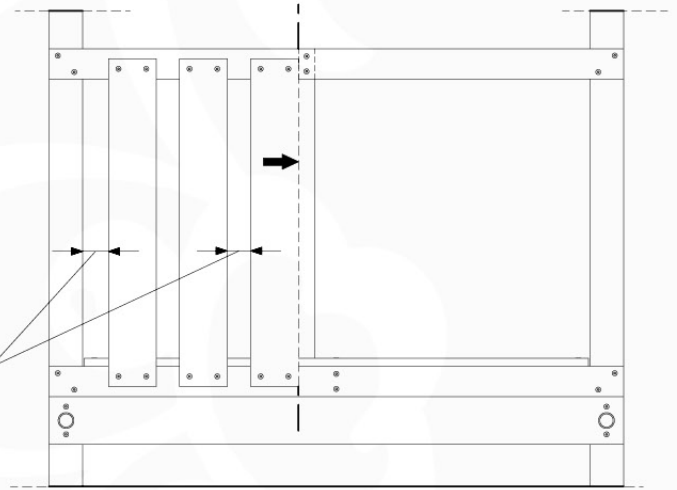
14-1



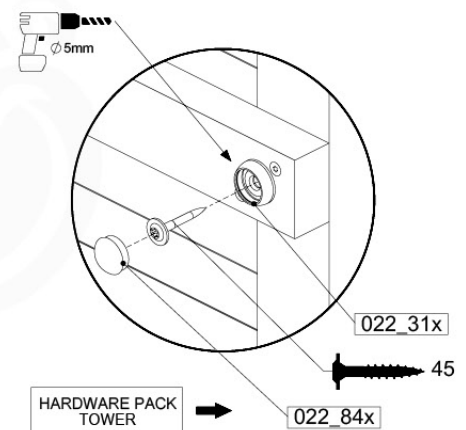
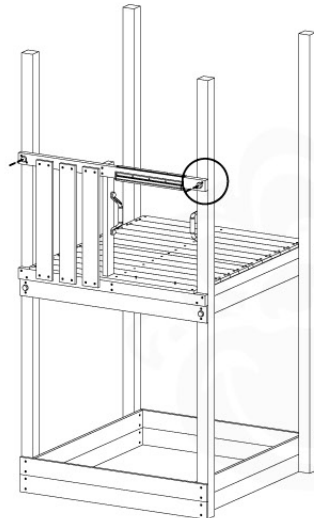
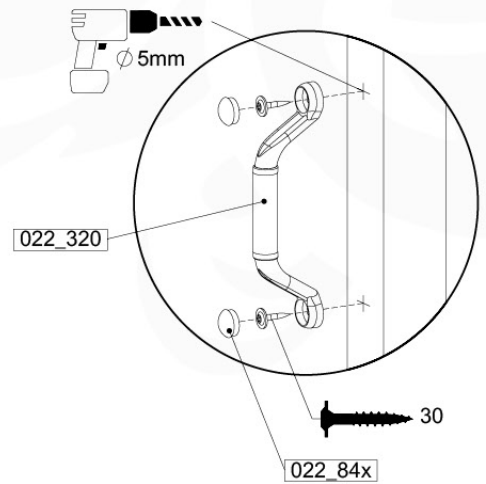
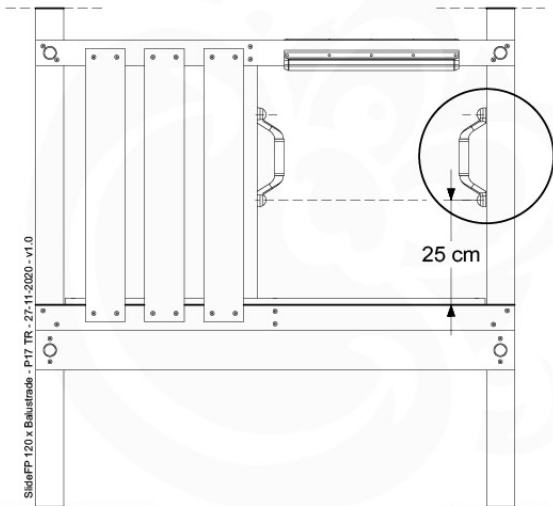
14-2



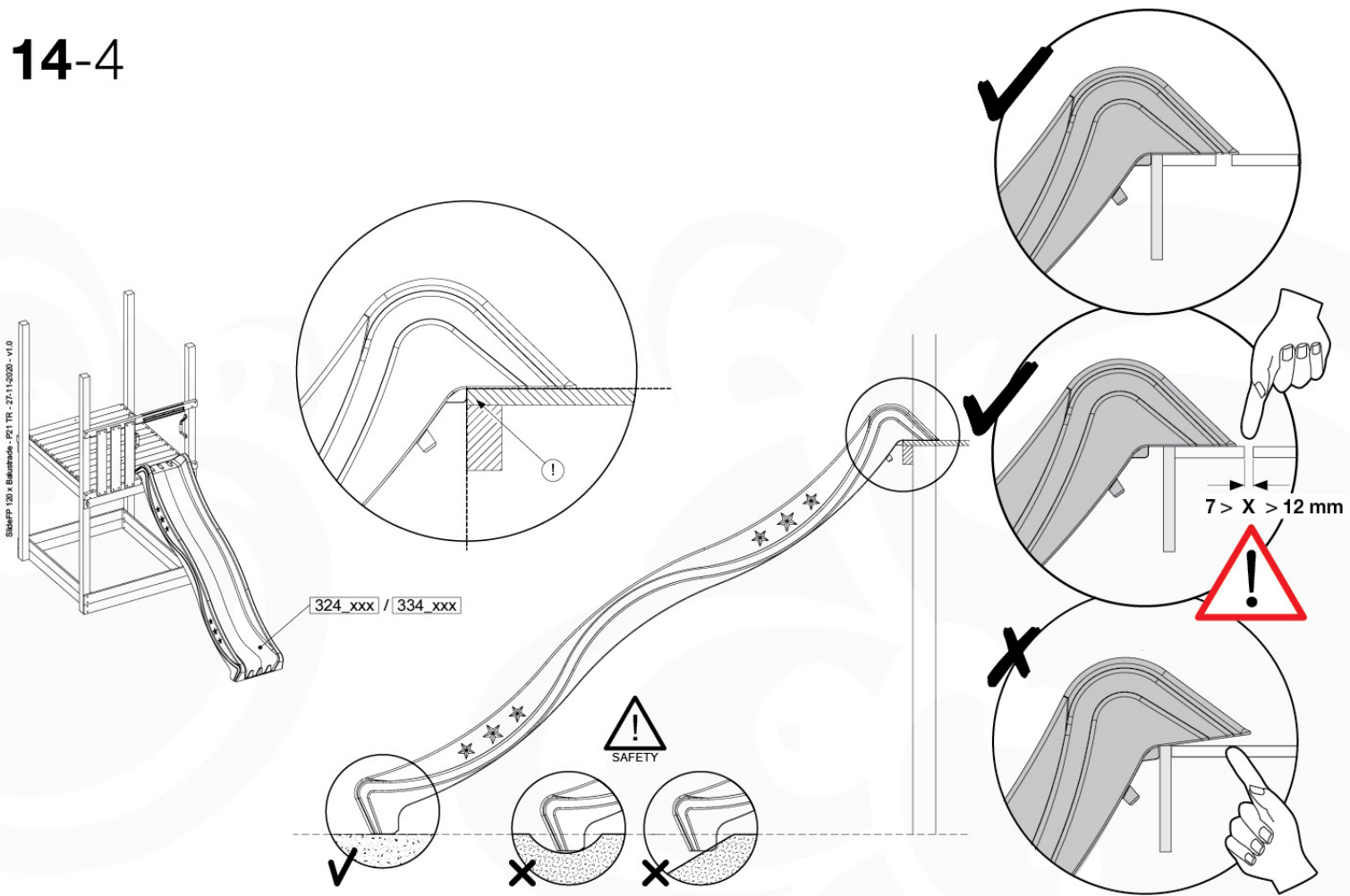
min. 26 mm
max. 65 mm



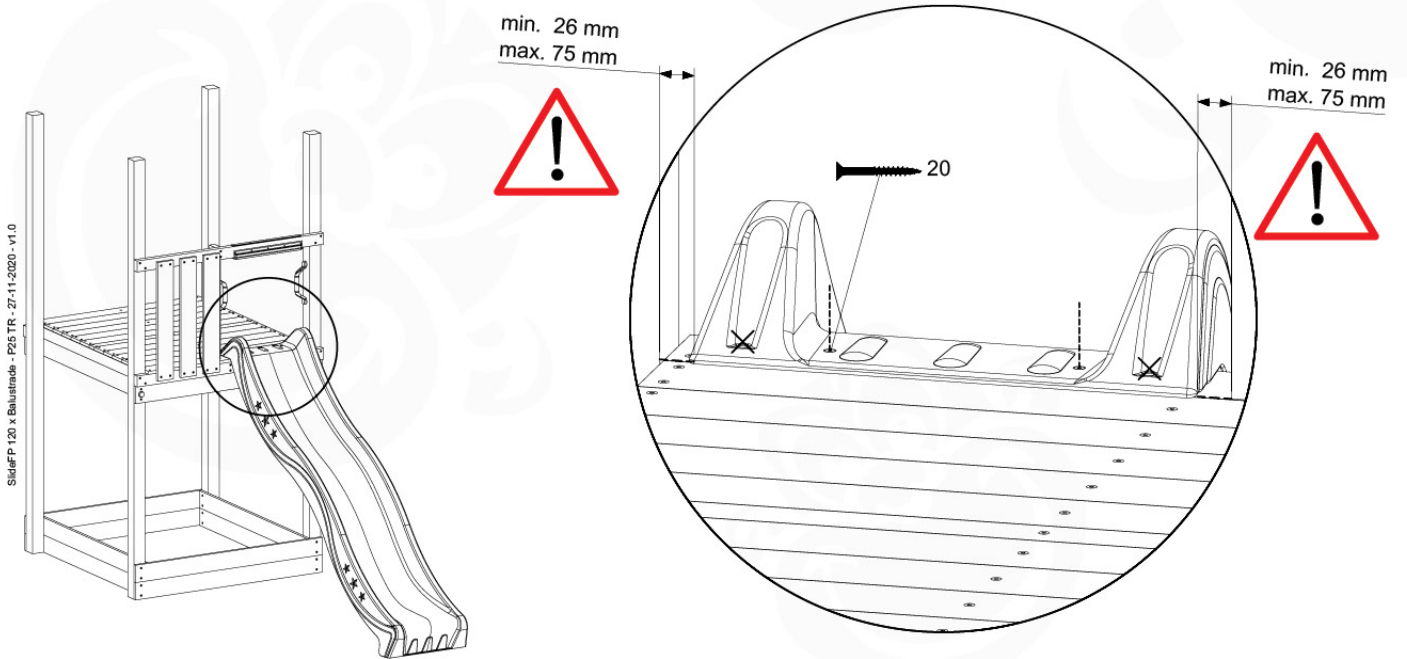
14-3



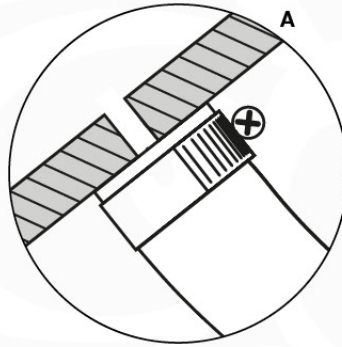
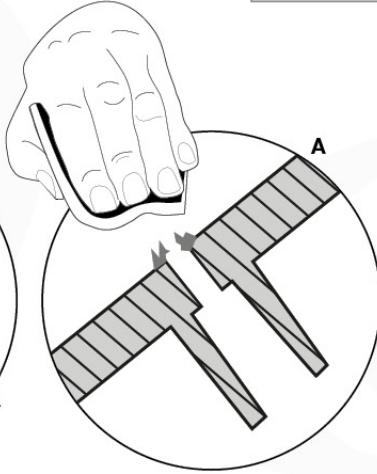
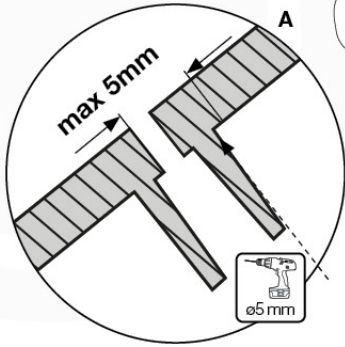
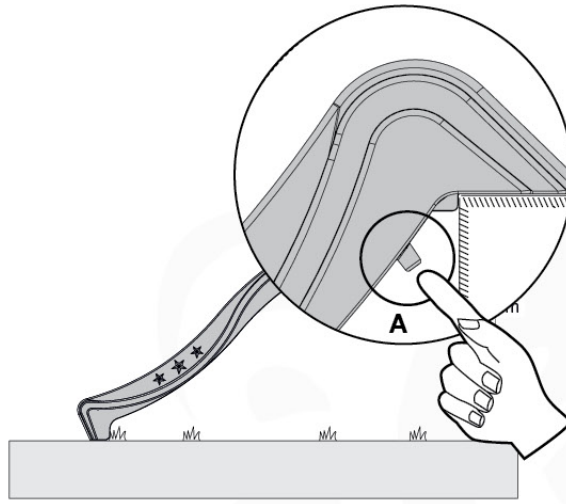
14-4



14-5

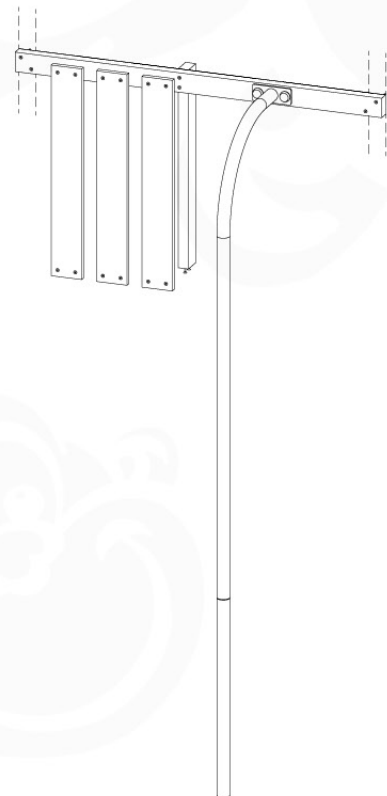


14-6



15 Firemans Pole

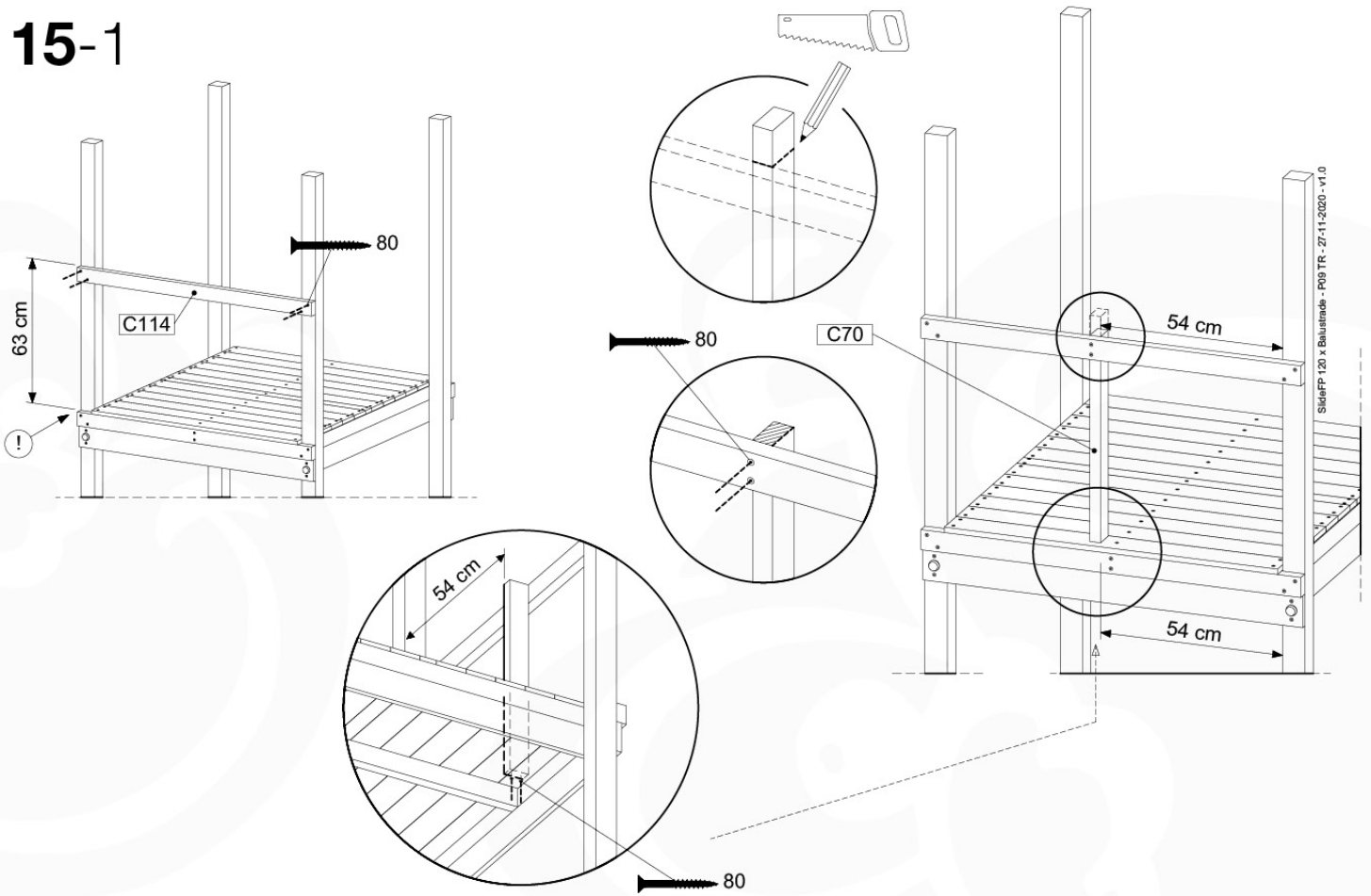
FP07



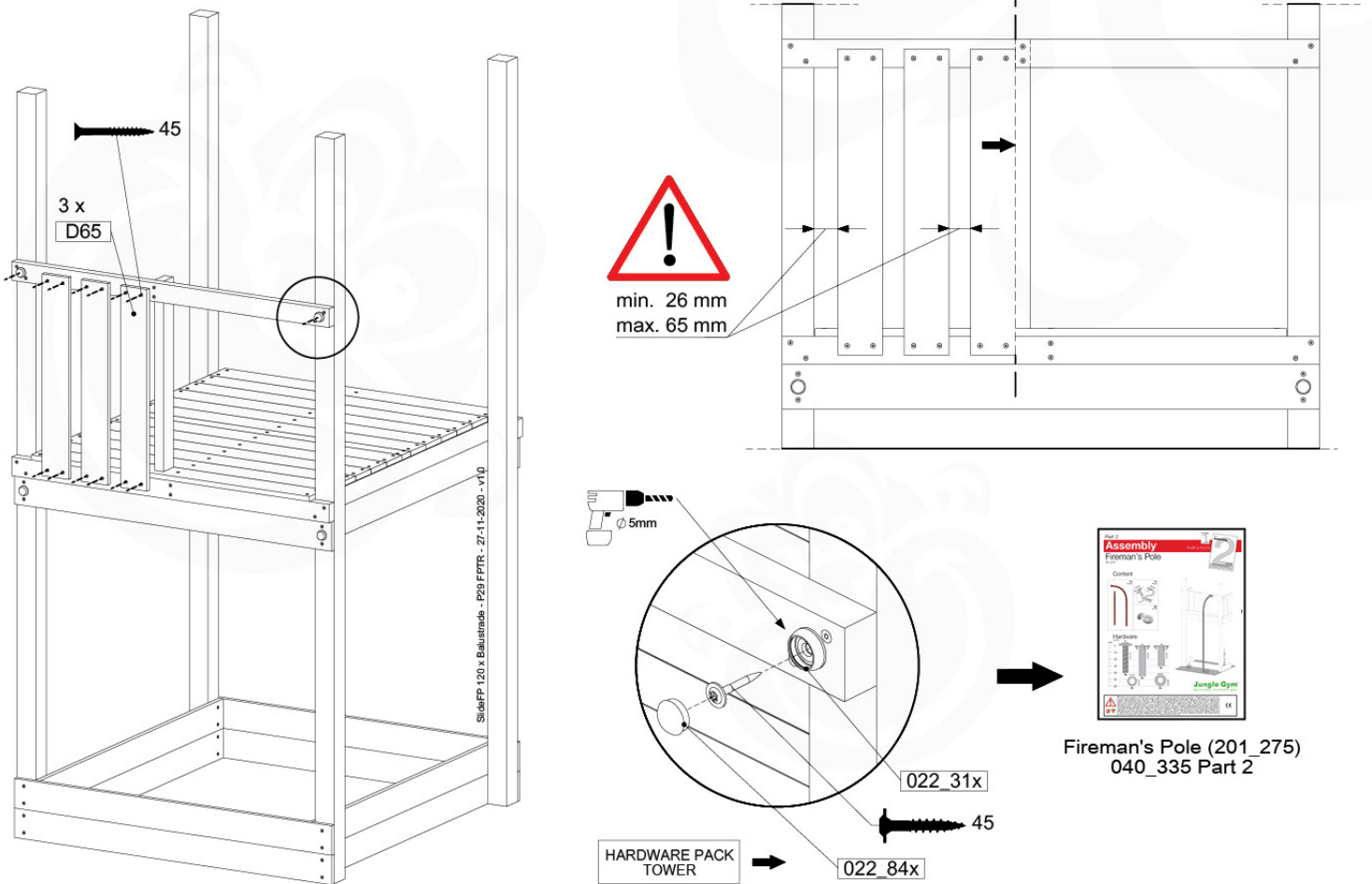
| | PartNo | PartName | QTY. |
|------------------|---------|----------------------------|------|
| Hardware Pack(s) | 001_103 | M8 Washer Head Screw 40mm | 2 |
| | 002_220 | Gap Point Screw T25 - 5x45 | 16 |
| | 002_223 | Gap Point Screw T25 - 5x80 | 8 |
| | 003_010 | M8 spring lock washer | 2 |
| | 003_040 | M8 Washer | 2 |
| | 004_052 | M8 Drive-in Nut 30mm | 2 |
| | 004_054 | M8 Drive-in Nut 45mm | 2 |
| | 022_31x | bpc-base version 3 | 2 |
| | 022_84x | bpc cover | 2 |
| Other | 102_915 | Fireman's Pole | 1 |
| Timber | C70 | Beam 700 mm | 1 |
| | C114 | Beam 1140 mm | 1 |
| | D65 | Board 650 mm | 3 |

SlideFP 120 x Ballastende - P33 FFTR - 27-11-2020 - v1.0

15-1



15-2



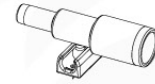
16 Accessories

AC01

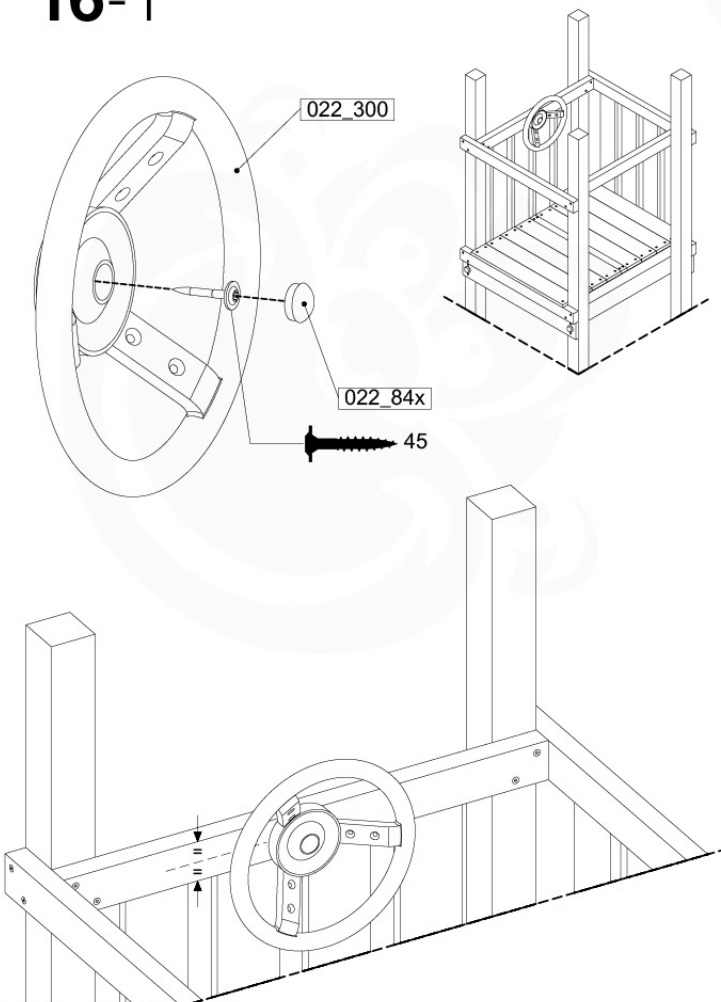
(194_119)

| | PartNo | PartName | QTY. |
|--------------------------|---------|-----------------------------|------|
| Hardware Pack 100_617 | 001_406 | Stealth Screw 8x45 | 1 |
| | 002_041 | Dome head screw 4.5 x 20 mm | 3 |
| | 002_042 | Dome head screw 3.5 x 13mm | 4 |
| | 002_219 | Gap Point Screw T25 - 5x30 | 2 |
| | 022_84x | bpc cover | 1 |
| Other | 022_300 | Steering Wheel | 1 |
| | 022_800 | Rail P/T 105 | 1 |
| | 022_910 | Sandpad | 1 |
| | 103_901 | Logo ID Plate | 1 |
| | 104_107 | Tool Set Climbing Units | 1 |
| | 120_024 | Tower Flag | 1 |
| | 122_302 | Telescope | 1 |

Accessory ref. - P02 - 18-11-2020 - v3

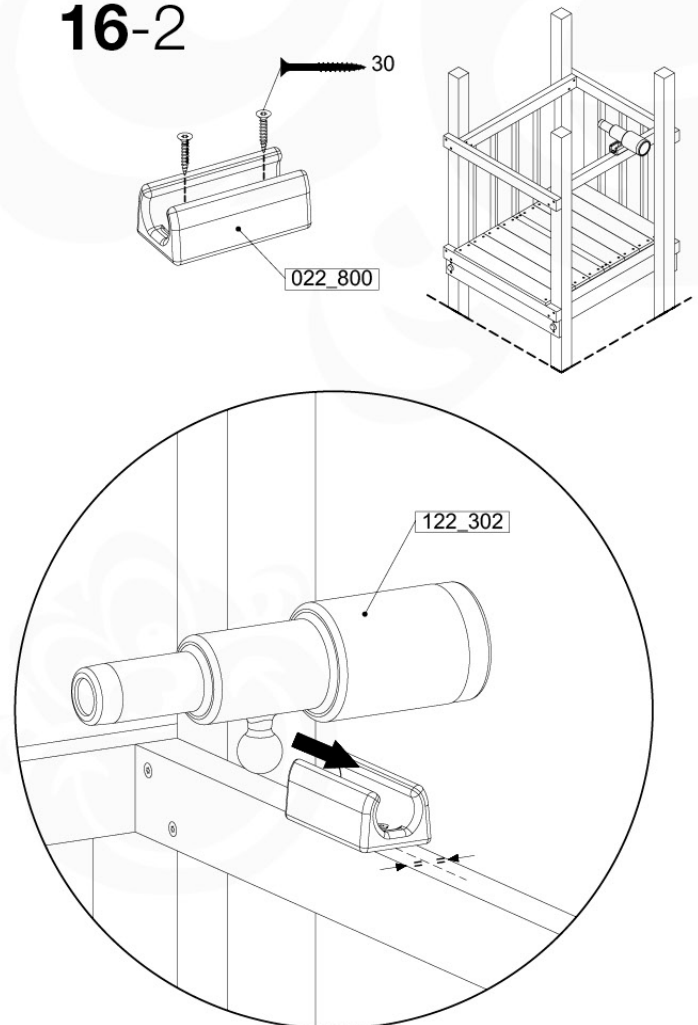


16-1

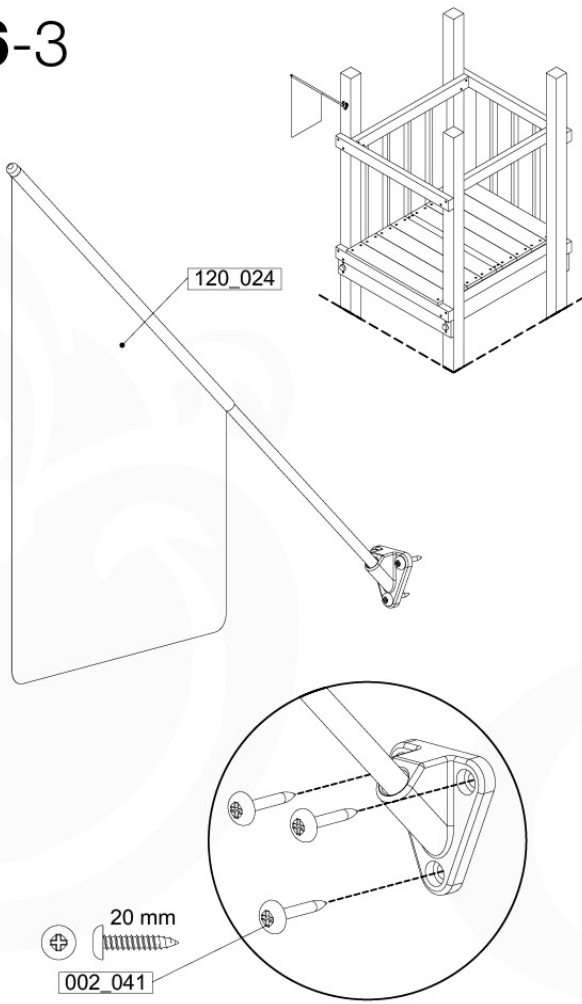


Accessory ref. - P03 - 18-11-2020 - v3

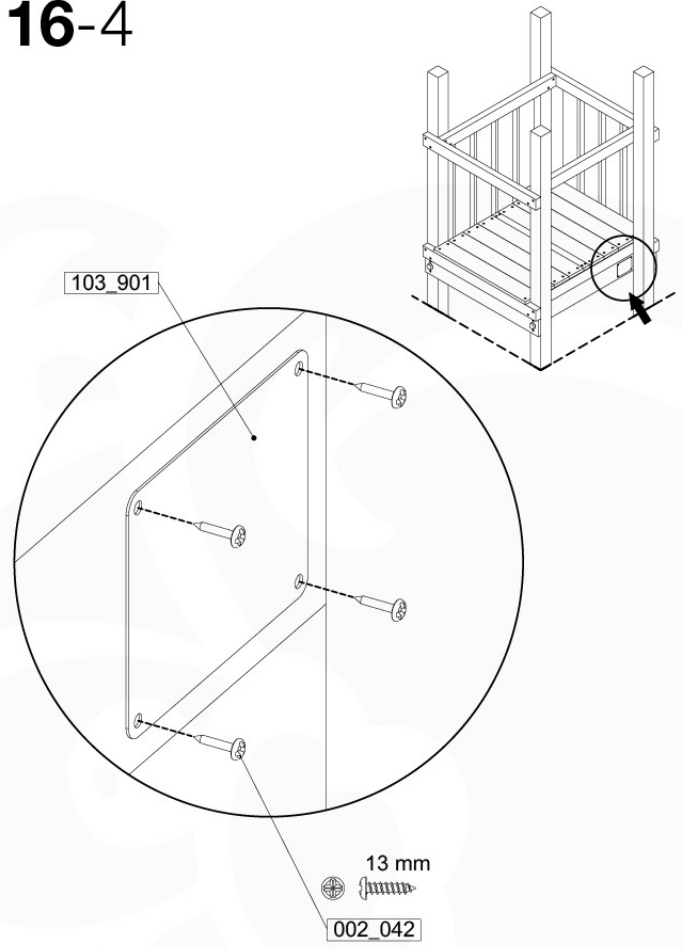
16-2



16-3

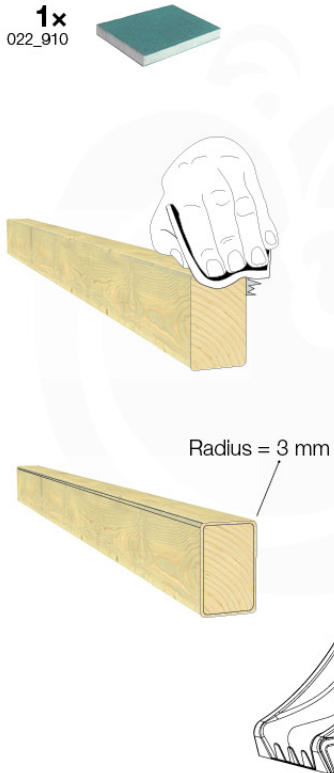


16-4

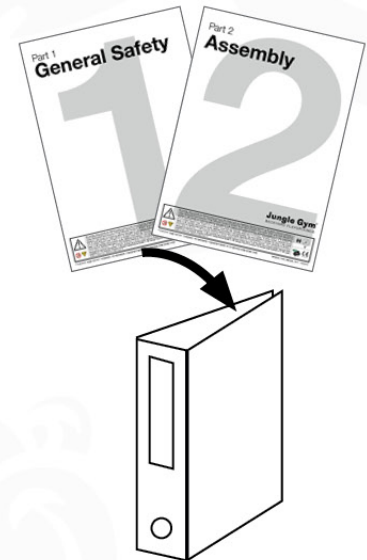


Accessory set - P04 - 16-11-2020 - v3

16-5

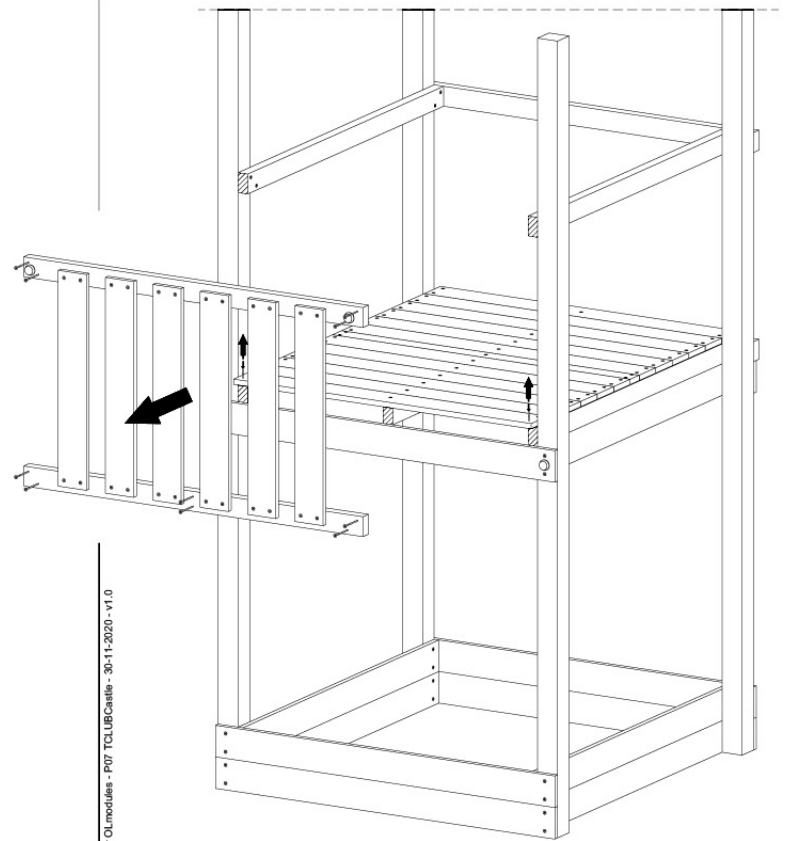
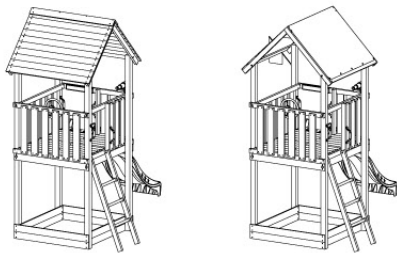


17



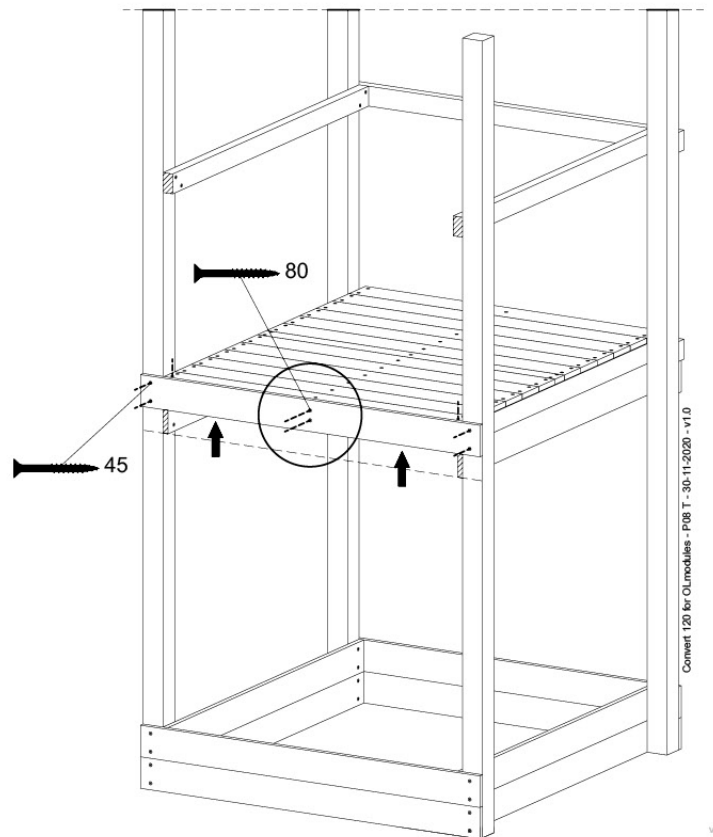
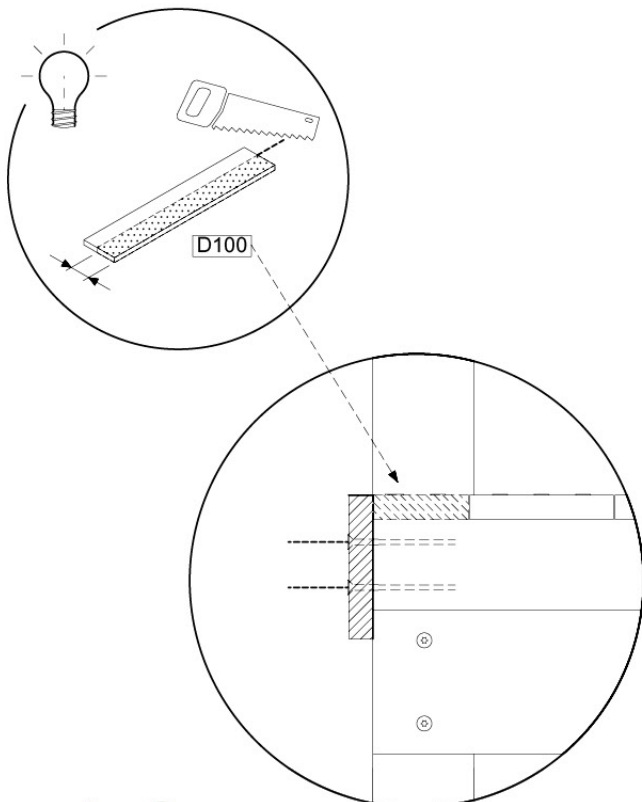
18 Tower preparation for Modules/ links

- 450_240 / 850_240 Bridge Module
- 450_255 / 850_255 Balcony Module
- 450_410 / 850_410 Boat Module
- 450_415 / 850_415 Train Module
- 470_100 / 870_100 Bridge Link
- 470_105 / 870_105 Net Link



Convert 120 for OLmodules - P07 TCLUBCastle - 30-11-2020 - v1.0

18-1



Convert 120 for OLmodules - P08 T - 30-11-2020 - v1.0

v.2.11.4