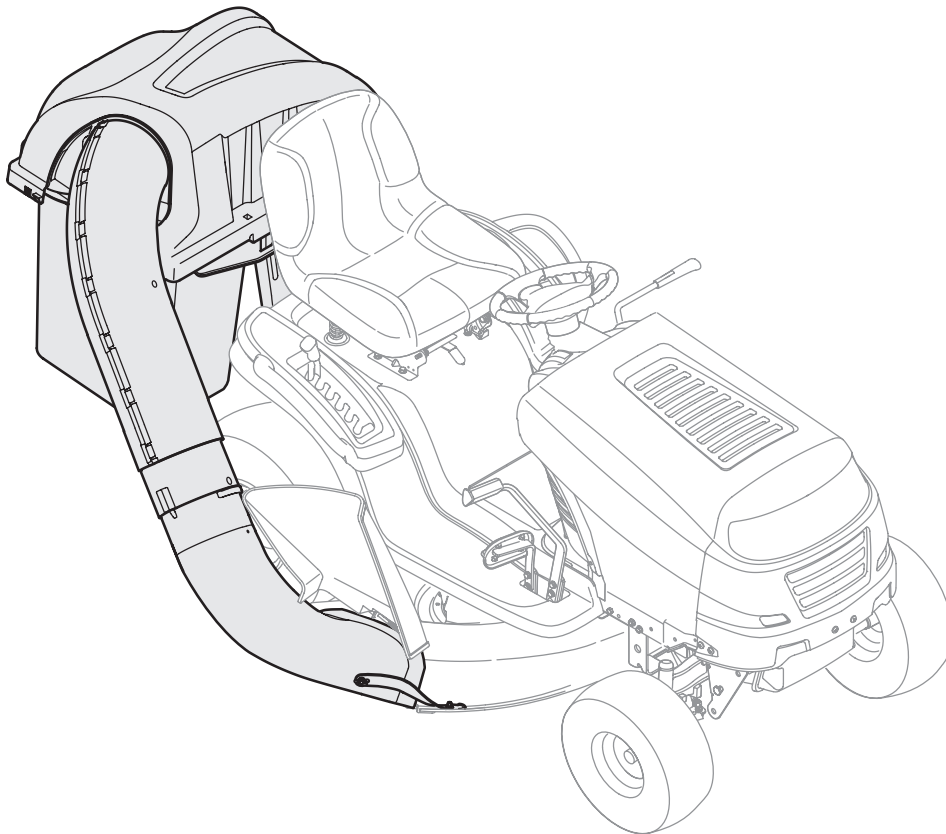

OPERATOR'S MANUAL



Twin Rear Bagger - Model No. OEM-190-180A & 19A30002000

⚠ WARNING

**READ AND FOLLOW ALL SAFETY RULES AND INSTRUCTIONS IN THIS MANUAL
BEFORE ATTEMPTING TO OPERATE THIS MACHINE.
FAILURE TO COMPLY WITH THESE INSTRUCTIONS MAY RESULT IN PERSONAL INJURY.**

MTD LLC, P.O. BOX 361131 CLEVELAND, OHIO 44136-0019

Thank You

Thank you for purchasing a double bagging attachment manufactured by MTD LLC. It was carefully engineered to provide excellent performance when properly operated and maintained.

Please read this entire manual prior to operating the equipment. It instructs you how to safely and easily set up, operate and maintain this attachment. Please be sure that you, and any other persons who will operate the machine, carefully follow the recommended safety practices at all times. Failure to do so could result in personal injury or property damage.

All information in this manual is relative to the most recent product information available at the time of printing. Review this manual frequently to familiarize yourself with the attachment, its features and operation. Please be aware that this Operator's Manual may cover a range of product specifications for various models. Characteristics and features discussed and/or illustrated in this manual may not be applicable to all models. MTD LLC reserves the right to change product specifications, designs and equipment without notice and without incurring obligation.

If you have any problems or questions concerning this attachment, phone your local authorized MTD service dealer or contact us directly. MTD's Customer Support telephone numbers, website address and mailing address can be found on this page. We want to ensure your complete satisfaction at all times.

Throughout this manual, all references to *right* and *left* side of the machine are observed from the operating position

Table of Contents

Identify The Model of Tractor.....	3	Parts List.....	18
Safe Operation Practices.....	4	Warranty.....	20
Carton Contents & Hardware Packs.....	7	Spanish.....	21
Assembly & Installation.....	9	French.....	41
Operation.....	16		

Record Product Information

Before setting up and operating your new equipment, please locate the model plate on the equipment and record the information in the provided area to the right. From the operator's position, locate the model plate in the front, left portion of the plastic grass catcher cover. This information will be necessary, should you seek technical support via our web site, Customer Support Department, or with a local authorized service dealer.

MODEL NUMBER

--	--	--	--	--	--	--	--	--	--	--	--

SERIAL NUMBER

--	--	--	--	--	--	--	--	--	--	--	--

Customer Support

Please do NOT return the machine to the retailer or dealer without first contacting our Customer Support Department.

If you have difficulty assembling this product or have any questions regarding the controls, operation, or maintenance of this machine, you can seek help from the experts. Choose from the options below:

- ◇ Visit us on the web at www.mtdproducts.com
- ◇ Call a Customer Support Representative at (800) 800-7310 or (330) 220-4683
- ◇ Write us at MTD LLC • P.O. Box 361131 • Cleveland, OH • 44136-0019

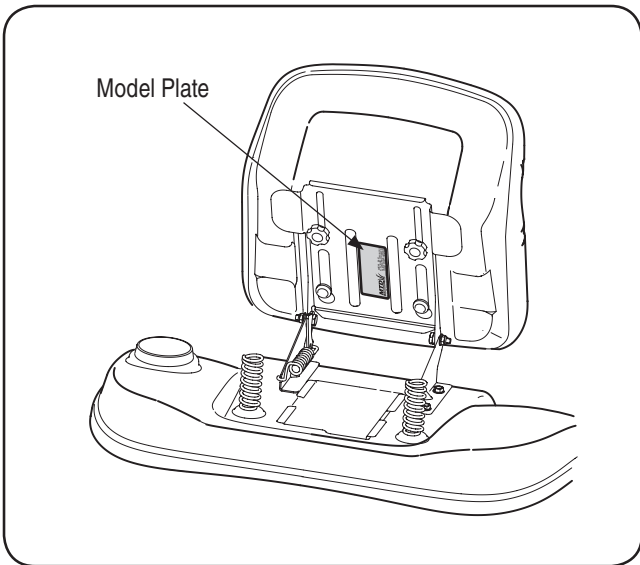


Figure 1-1

Identify The Model of Tractor

This manual is designed for installation of this new bagging unit on several different models of tractors. It is important for you to determine which model of tractor that you have. Once this is known, follow the pertinent set of instructions on the following pages.

Note: Read and observe all WARNING, NOTES and IMPORTANT statements. They are included to provide for the protection of the equipment installer and user, and to ensure the prolonged service life of the equipment.

Note: References to LEFT and RIGHT indicate the left and right sides of the tractor when facing forward in the operator's position. Reference to the FRONT indicates the grille end; to the REAR, the rear end of the rider.

To determine which model of rider you have, you will need to locate the rider's model plate, located under the seat. Simply flip the seat up and locate the model plate, which will consist of an 11 digit/letter model number and a serial number. See Fig. 1-1. For ease in this installation and for future use, copy your rider's model number & serial number below now:

Rider Model Number: _____ _____

Rider Serial Number: _____

The 5th, 6th & 7th numbers from the left in your model number determine your rider's model series. See Fig. 1-2.

When you fill in your model number in the space above, the actual model series number should fall into the gray shaded area.

Now that you have determined what model rider you are attaching this grass bag collection system to, follow the instructions on the following pages according to your model of rider.

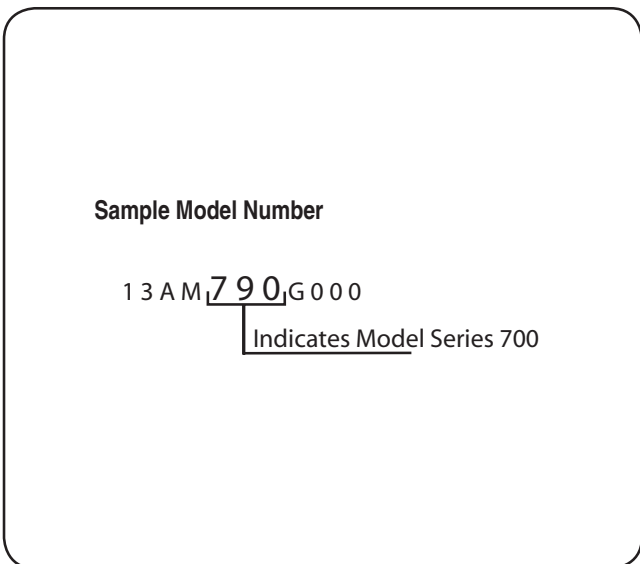


Figure 1-2



WARNING! This symbol points out important safety instructions which, if not followed, could endanger the personal safety and/or property of yourself and others. Read and follow all instructions in this manual before attempting to operate this machine. Failure to comply with these instructions may result in personal injury.

When you see this symbol. **HEED ITS WARNING!**



DANGER! This attachment was built to be used according to the safe operation practices in this manual. Carelessness or error on the part of the operator can result in serious injury. Mowers are capable of amputating hands and feet and throwing objects. Failure to observe the following safety instructions as well as the instructions provided with your mower, could result in serious injury or death.

General Operation

1. Read, understand, and follow all instructions on your equipment and in their manuals before attempting to assemble and operate. Keep this manual in a safe place for future and regular reference and for ordering replacement parts.
2. To help avoid blade contact or a thrown object injury, keep bystanders, helpers, children and pets at least 75 feet from the mower while it is in operation. Stop machine if anyone enters the area.
3. Thoroughly inspect the area where the equipment is to be used. Remove all stones, sticks, wire, bones, toys, and other foreign objects which could be picked up and thrown by the blade(s). Thrown objects can cause serious personal injury.
4. Always wear safety glasses or safety goggles during operation and while performing an adjustment or repair to protect your eyes. Thrown objects which ricochet can cause serious injury to the eyes.
5. Do not operate the mower without the discharge cover or entire grass catcher in its proper place. A missing or damaged discharge cover or grass bag attachment component may result in thrown objects or blade contact injuries.
6. Do not put hands or feet near rotating parts or under the cutting deck. Contact with the blade(s) can amputate hands and feet.
7. Shut off mower's engine and wait for blades to come to a complete stop before unclogging mower's discharge opening or bagger parts.
8. Slow down before turning. Operate the machine smoothly. Avoid erratic operation and excessive speed. Be aware that a grass catcher attachment can affect the handling characteristics of your mower.
9. Disengage blade(s), set parking brake, stop engine and wait until the blade(s) come to a complete stop before opening bagger attachment's top cover, removing grass catcher, emptying grass, unclogging chute, removing any grass or debris, or making any adjustments.
10. Never leave a running machine unattended. Always turn off blade(s), place transmission in neutral, set parking brake, stop engine and remove key before dismounting.
11. Your machine is designed to cut normal residential grass of a height no more than 10". Do not attempt to mow through unusually tall, dry grass (e.g., pasture) or piles of dry leaves. Dry grass or leaves may contact the engine exhaust and/or build up on the mower deck presenting a potential fire hazard.
12. If situations occur which are not covered in this manual, use care and good judgment. Contact your customer service representative for assistance.

Slope Operation

Slopes are a major factor related to loss of control and tip-over accidents which can result in severe injury or death. Attachments can also affect the stability of the machine. All slopes require extra caution.

For your safety, use the slope gauge included as part of this manual to estimate the angle of slopes before operating this machine on a sloped or hilly area. If the slope is greater than 10 degrees as shown on the slope gauge, do not operate the mower with the grass bag attachment installed on that area or serious injury could result.

Do:

1. Mow up and down slopes, not across. Exercise extreme caution when changing direction on slopes.
2. Watch for holes, ruts, bumps, rocks, or other hidden objects. Uneven terrain could overturn the machine. Tall grass can hide obstacles.

3. Use slow speed. Choose a low enough speed setting so that you will not have to stop or shift while on the slope. Tires may lose traction on slopes even though the brakes are functioning properly. Always keep machine in gear when going down slopes to take advantage of engine braking action.
4. Follow the manufacturer's recommendations for wheel weights or counterweights to improve stability.
5. Keep all movement on the slopes slow and gradual. Do not make sudden changes in speed or direction. Rapid engagement or braking could cause the front of the machine to lift and rapidly flip over backwards which could cause serious injury.
6. Avoid starting or stopping on a slope. If tires lose traction, disengage the blade(s) and proceed slowly straight down the slope.

Do Not:



1. Do not turn on slopes unless necessary; then, turn slowly and gradually downhill, if possible.
2. Do not mow near drop-offs, ditches or embankments. The mower could suddenly turn over if a wheel is over the edge of a cliff, ditch, or if an edge caves in.
3. Do not try to stabilize the machine by putting your foot on the ground.
4. Do not use a grass catcher on steep slopes.
5. Do not mow on wet grass. Reduced traction could cause sliding.

General Service

1. Before cleaning, repairing, or inspecting, make certain the blade(s) and all moving parts have stopped. Disconnect the spark plug wire and ground against the engine to prevent unintended starting.
2. Keep all nuts, bolts, and screws tight to be sure the equipment is in safe working condition.
3. Never tamper with your mower's safety interlock system or other safety devices. Check their proper operation regularly.
4. Never attempt to make adjustments or repairs while the mower's engine is running.
5. Grass catcher components and the discharge cover are subject to wear and damage which could expose moving parts or allow objects to be thrown. For safety protection, frequently check components and replace immediately with original equipment manufacturer's (O.E.M.) parts only, listed in this manual. Use of parts which do not meet the original equipment specifications may lead to improper performance and compromise safety!
6. Maintain or replace safety and instruction labels, as necessary.

Safety Symbols

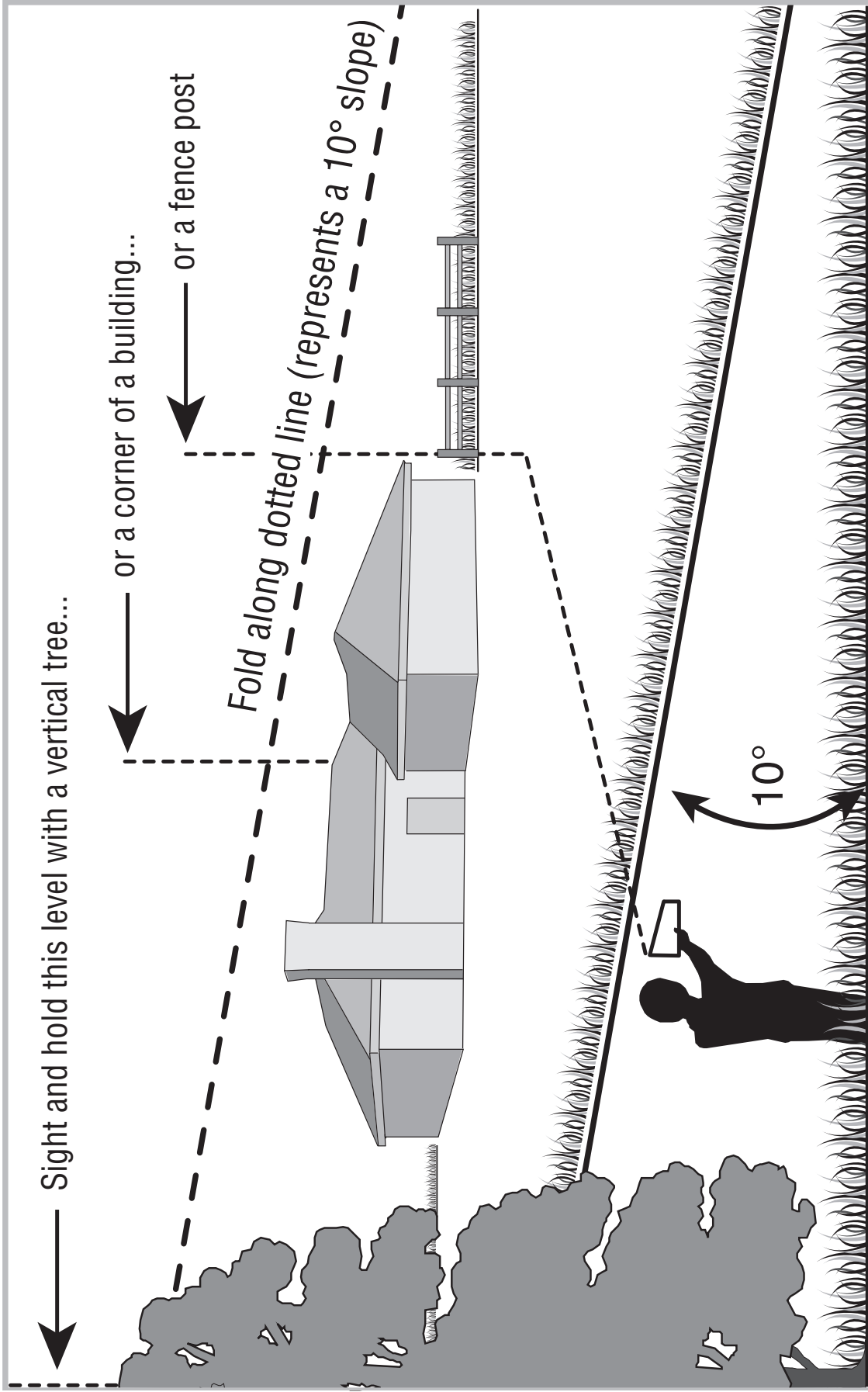
This table depicts and describes safety symbols that may appear on this product. Read, understand, and follow all instructions on the machine before attempting to assemble and operate.

Symbol	Description
	<p>READ THE OPERATOR'S MANUAL(S) Read, understand, and follow all instructions in the manual(s) before attempting to assemble and operate</p>
	<p>STOP Turn off the engine before opening the bagger cover.</p>



WARNING! Your Responsibility—Restrict the use of this power machine to persons who read, understand and follow the warnings and instructions in this manual and on the machine.

SAVE THESE INSTRUCTIONS!



Use this page as a guide to determine slopes where you may not operate safely.



WARNING! Do not operate your lawn mower with a bagger attachment on such slopes. Do not mow on inclines with a slope in excess of 10 degrees (a rise of approximately six inches every 10 feet). A riding mower with a bagger attachment could overturn and cause serious injury. Operate riding mowers up and down slopes, never across the face of slopes.

Contents of Carton

3

Before beginning installation, remove all parts from the carton to make sure everything is present. Carton contents are listed below and shown in Fig. 2-1. Hardware part numbers are shown in parentheses.

- Hitch Bracket Kit (3 brackets & Hardware Pack)
- 700 Series Mount Kit (2 brackets & hardware)
- Chute Tube Extension
- Hitch Support
- Discharge Chute Elbow
- Grass Catcher Cover Screen
- Grass Catcher Cover
- Two Grass Bag Assemblies
- Upper Chute Tube
- Upper Chute Support
- Hinge Cover Pin
- Upright Support
- Bag Support Assembly
- Three Hardware Packs (Detailed & Pictured on next page)

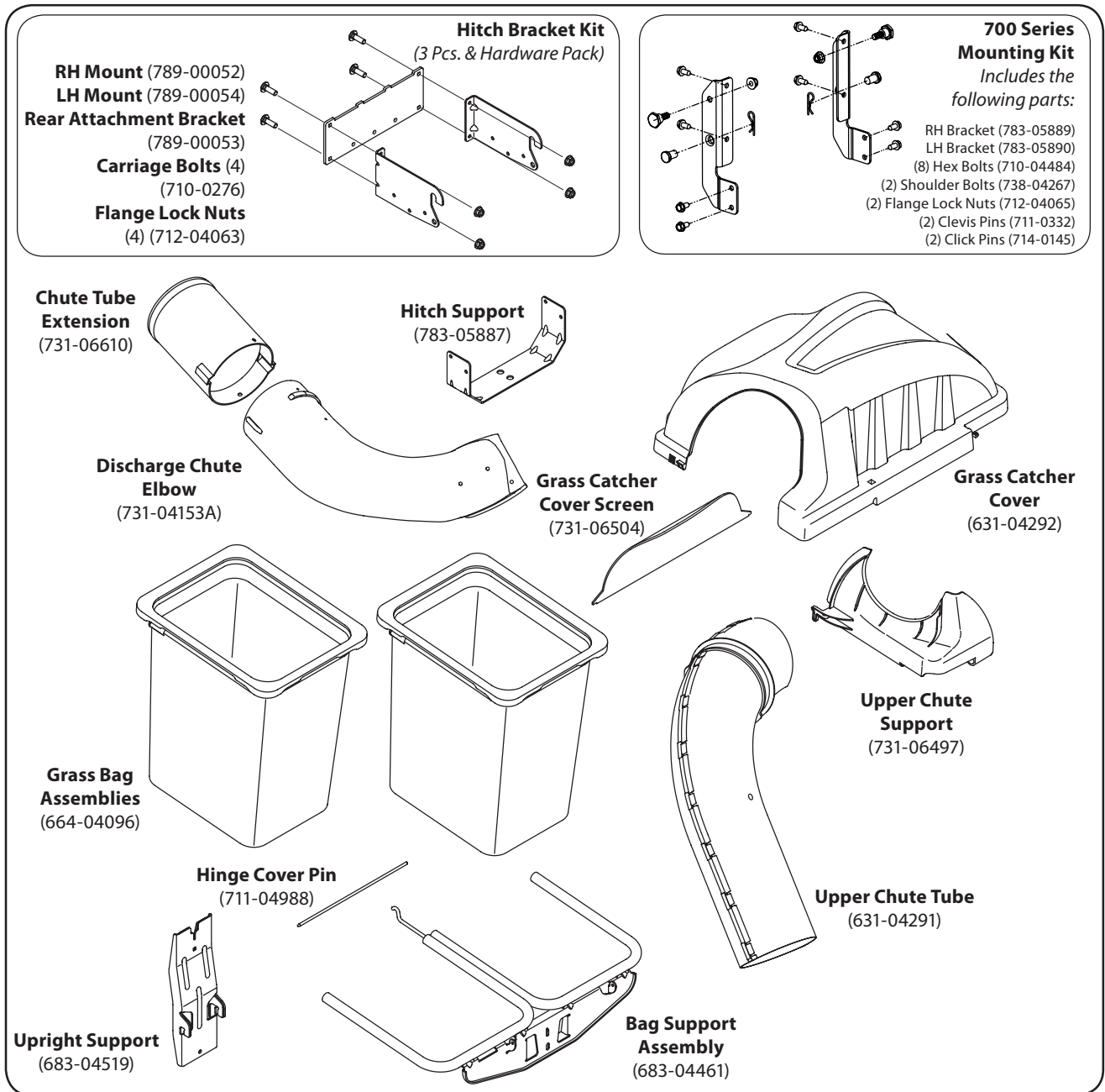
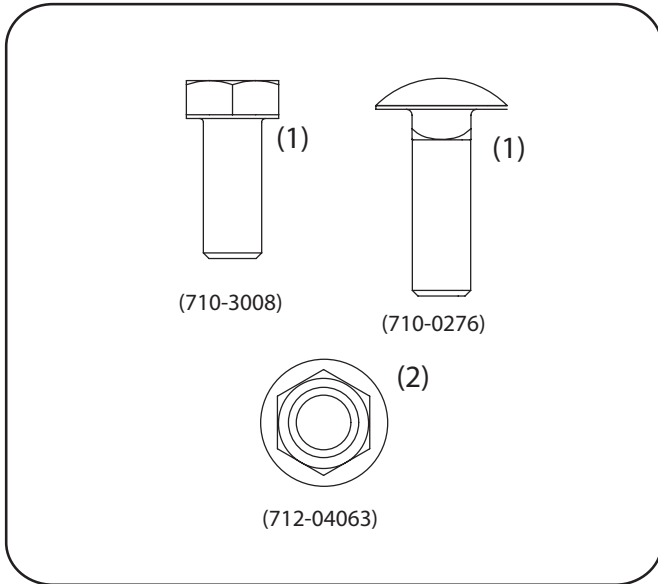


Figure 2-1

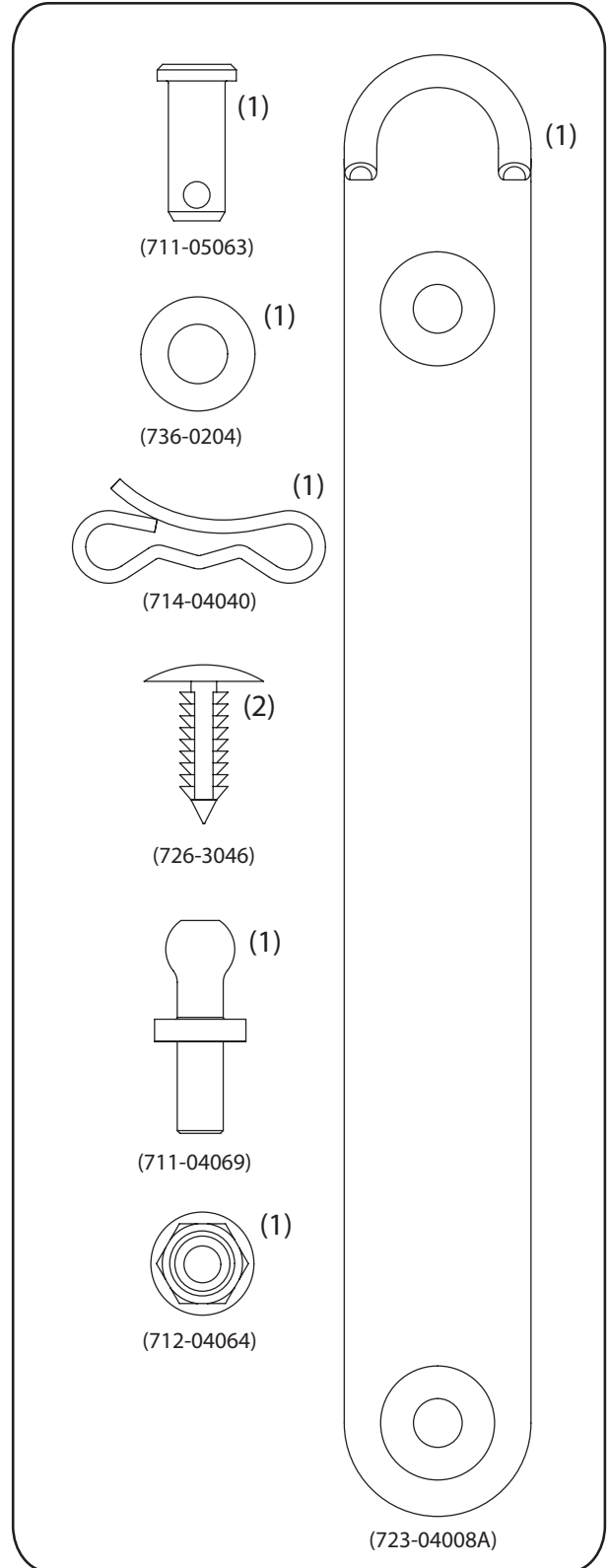
CONTENTS OF HARDWARE PACK

This grass collector kit is shipped with three loose hardware packs enclosed and one hardware pack included in the mounting bracket kit. Please check your hardware packs against the illustrations below. The quantities for each item is listed in parenthesis.

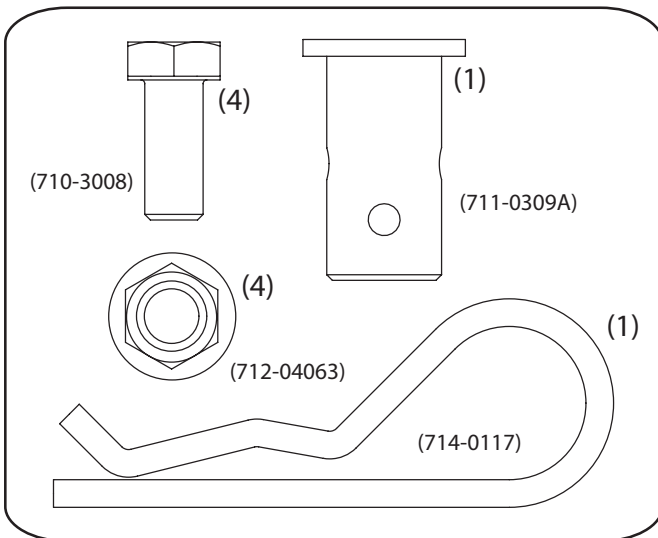
Hardware Pack included with 689-00080



Hardware Pack 689-00091



Hardware Pack 689-00087



700 Series Tractors Only

If you are assembling this bagger unit for use on any model 700 series tractor you will need to install the two tractor mounting brackets packed in your bagger kit. If you are installing this bagger unit on any other tractor, disregard these steps and move to Assemble Mounting Brackets on the next page.

To install these brackets on a model 700 series tractor, follow these steps:

1. Install a shoulder bolt from your hardware pack on each bracket, securing them with flange lock nuts also included in the hardware pack. Refer to Fig. 4-1.
2. Remove and discard the two screws in the lower frame as seen in Fig. 4-2.
3. Mount the 700 series tractor mounting brackets to your tractor using eight self-tapping hex screws included with your kit by using the pre-drilled holes in your tractor's frame for the two top mounting bolts and the holes on the lower frame where you previously removed and discarded the screws. See Fig. 4-2.
4. When attaching the hitch bracket assembly to the tractor, secure with the clevis pin and clip pins called out in Fig. 4-2, in addition to the clevis pin used in the hitch plate on the following page.

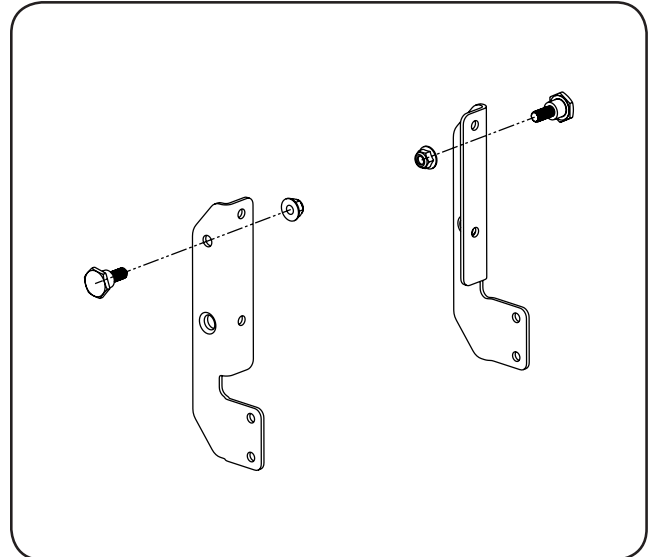


Figure 4-1

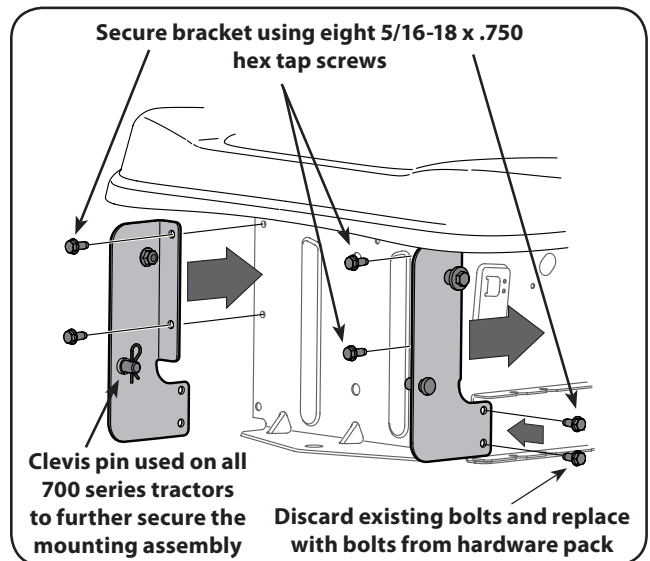


Figure 4-2

Assemble Mounting Brackets

To assemble the universal mounting assembly, locate the mounting assembly pack and follow these steps:

1. Attach the two hitch side brackets to the universal rear attachment bracket using four hex bolts and flange lock nuts. With the hooks on the hitch side brackets pointing down, the tabs on the universal rear attachment bracket should be pointing upwards. See Fig. 4-3.

Note: This universal mounting bracket assembly is designed to work with other available attachments, such as a weight kit used in conjunction with the snow blade or snow thrower attachment. Utilize the contact information on page 2, or contact the retailer in which you purchased this equipment, to find out more about available attachments for your specific tractor.

2. Flip over assembly and mount the hitch support bracket to the mounting assembly as seen in Fig. 4-4.

Note: It might be easier during the mounting stage to leave this hardware only finger tight to facilitate lining up the hitch hole for the clevis pin. You will be instructed to tighten this later in this manual if you chose to only finger tighten this hardware now.

Note: The holes closest to the mounting hooks are to be used for all 700 model series machines, while the two holes closest to the cross mount are for all other models. The hitch support bracket will need to be flipped to enable alignment of the proper holes depending on the model of machine this bagger is being installed on. See Fig. 4-4.

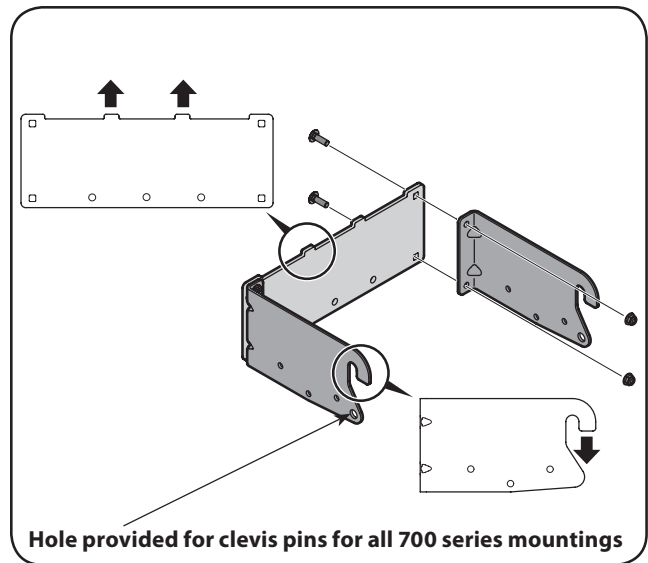


Figure 4-3

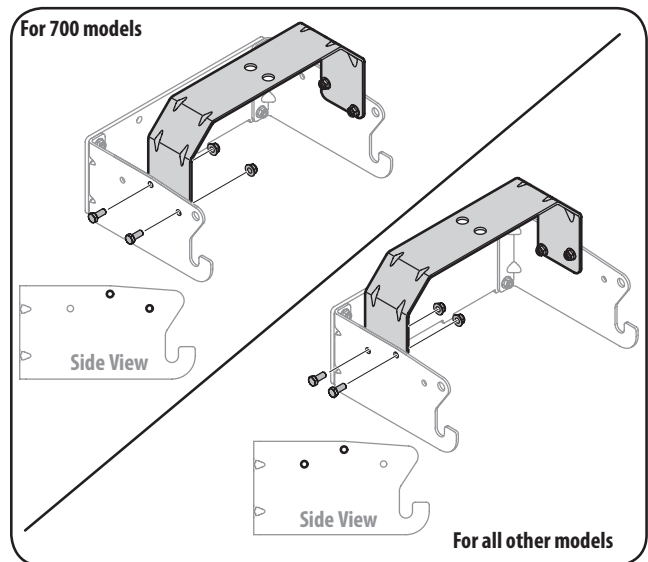


Figure 4-4

Assembling The Support Assembly

Locate the upright support bracket and the bag support assembly. Assemble it by following these steps:

1. Lay the bag support assembly topside down with the mounting bracket portion facing upwards.
2. Insert the notched end of the vertical support bracket into the bag support assembly, as in Fig. 4-5, and secure with a 5/16-18 carriage bolt and 5/16-18 flange lock nut. See Fig. 4-6.

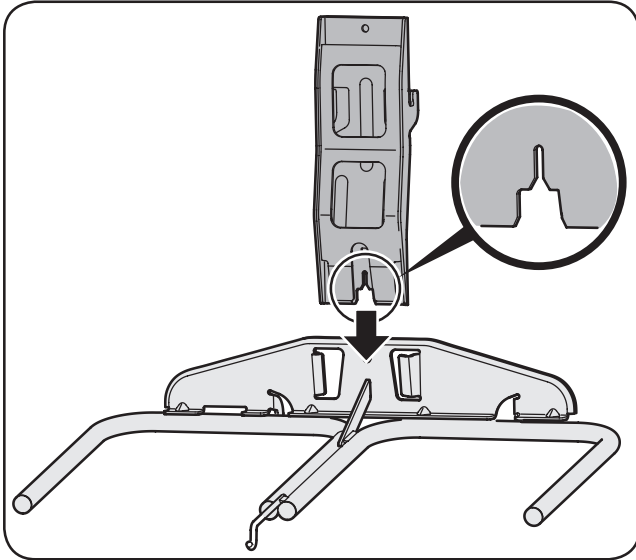


Figure 4-5

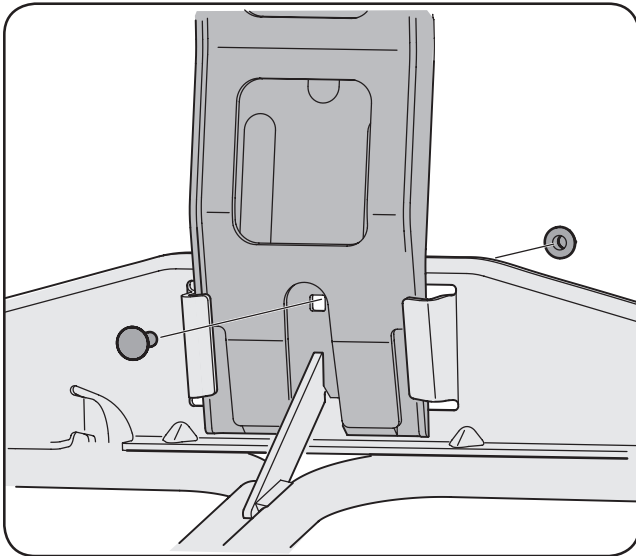


Figure 4-6

Mount Assembly on Tractor

Install mounting assembly on tractor as follows:

1. Place the hooked ends of the mounting assembly over the shoulder bolts, as in Fig. 4-7, on the tractor and line up the hitch support bracket center hole with the hole on the tractor's hitch.

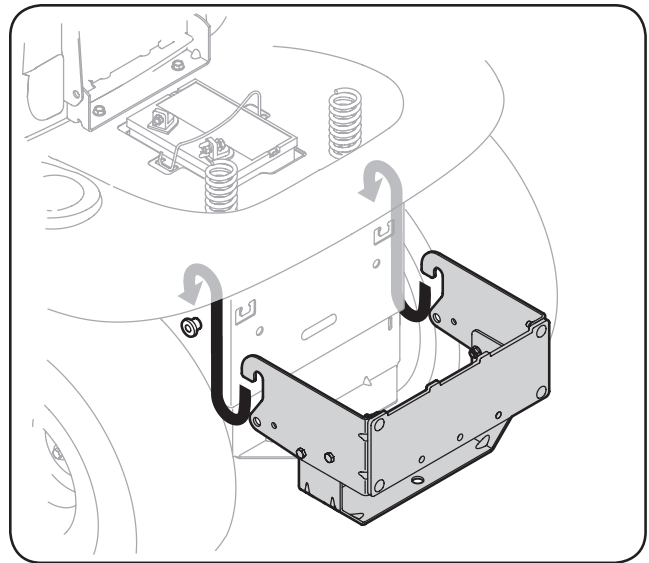


Figure 4-7

2. Install the clevis pin from hardware pack 689-00087 into the tractor's hitch and secure with a hairpin clip. See Fig. 4-8.

Note: The clevis pin can be fed down through the hitch plate and secured underneath with the hairpin clip, or it may be easier to feed the clevis pin up through the hitch plate hole and secure with the hairpin clip on the topside. The latter method may be preferred since it can be easier to insert the hairpin clip. Either way will work, the decision should be based on operator preference.

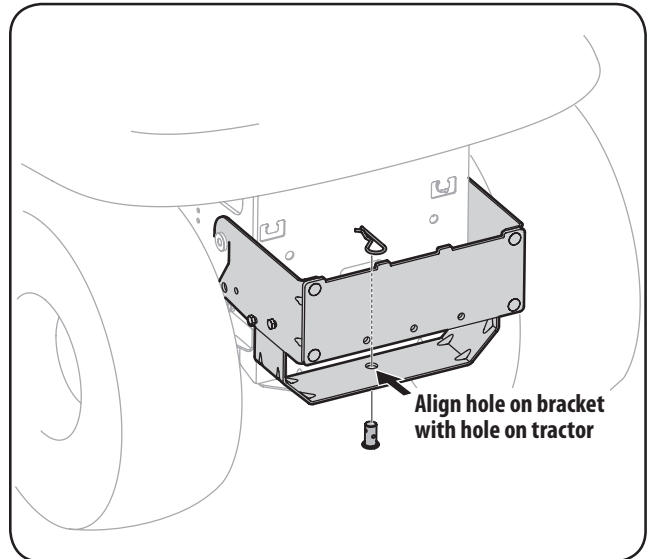


Figure 4-8

Note: If you decided to leave the hitch support only finger tight during the assembly process, tighten all of the hardware securely at this time.

If Mounting Assembly onto 700 Series Tractors

Note: Install two clevis pins through the mounting assembly and secure to the 700 series mounting brackets installed earlier with click pins provided in the hardware pack. Refer back to Fig. 4-3.

3. Install the bagger hanger assembly onto the mounting assembly on the tractor by hooking it over the hitch plate between the two tabs. See Fig. 4-9.

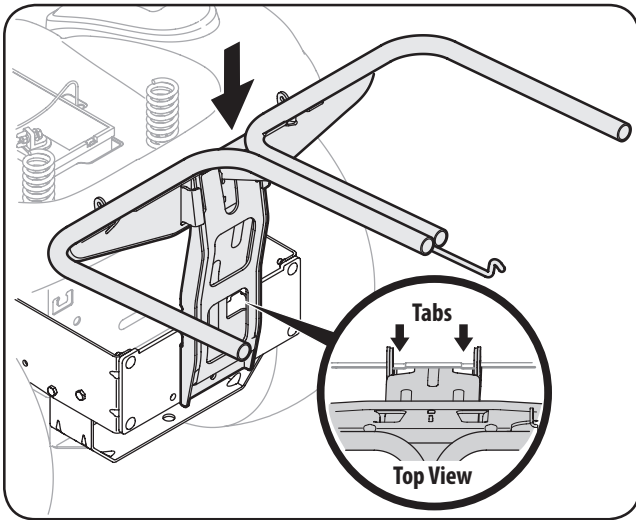


Figure 4-9

4. Secure the hanger assembly to the mounting assembly using a 5/16" bolt and flange nut provided. See Fig. 4-10.

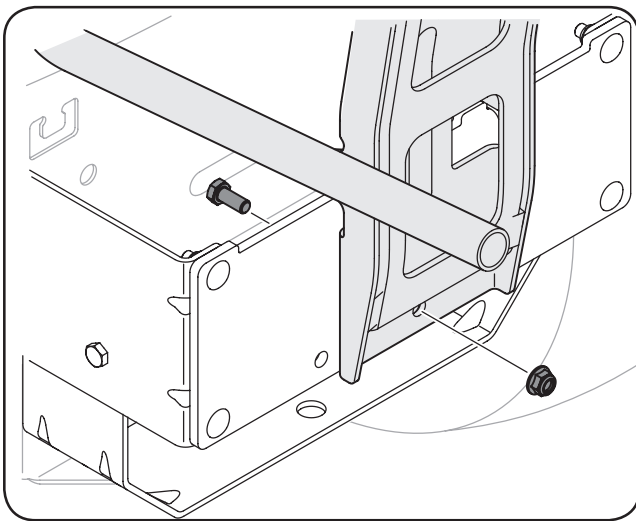


Figure 4-10

Assembling Remaining Bagger Components

Now that the mounting brackets are assembled and are in place on the tractor, follow these steps to assemble the remaining bagger components.

1. Snap the plastic upper chute support in place by first clipping the side portion onto the bagger support rail with the edge of the snap feature aligned with the red line, as seen in Fig. 4-11.
2. Snap the front side of the chute support to the rail, as shown in the inset of Fig. 4-11.

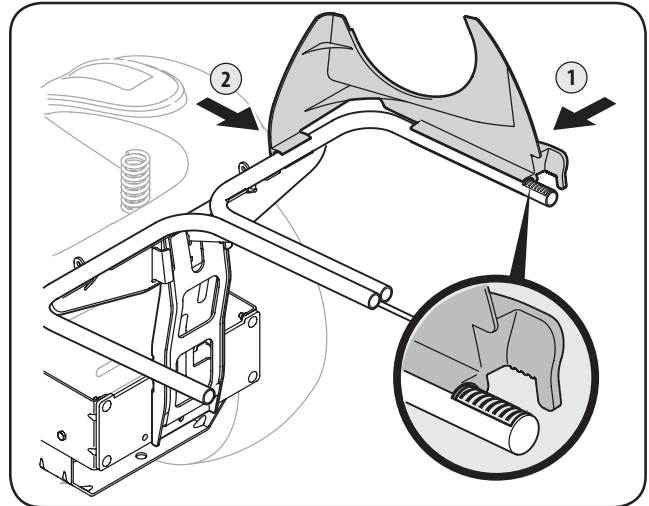


Figure 4-11

3. Install the bagger screen into the bagger cover by first inserting the end closest to the side with the cutout into the mounting hole, as in Fig. 4-12. Make sure to feed the screen under the lip, as in Fig. 4-13.

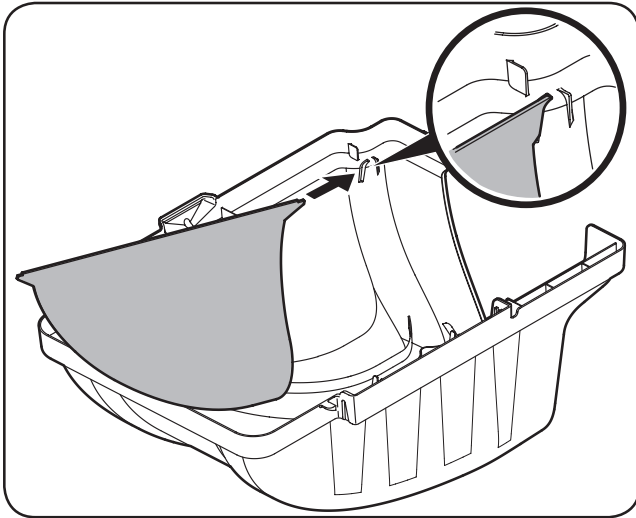


Figure 4-12

4. Clip in the other side by pushing the screen into the provided cutout. See Fig. 4-13.

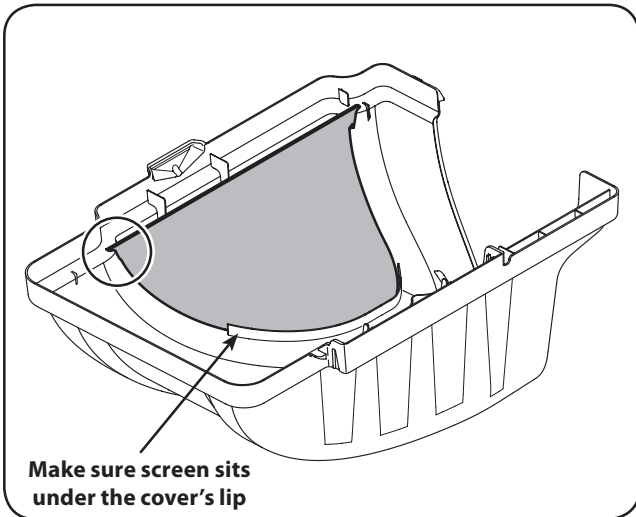


Figure 4-13

5. Install the bagger cover onto the bag support assembly, as seen in Fig. 4-14. The plastic cover goes inside of the two mounting tabs.
6. Slide the hinge pin into the hole located on the mounting tab, as in Fig. 4-15. Use the cut-out window (See inset in Fig. 4-15) to line up the hinge pin on the other side and push pin all the way in until it reaches the end-stop. At this point the pin clips into place and is secured by a tab in the bagger cover. See Fig. 4-16.

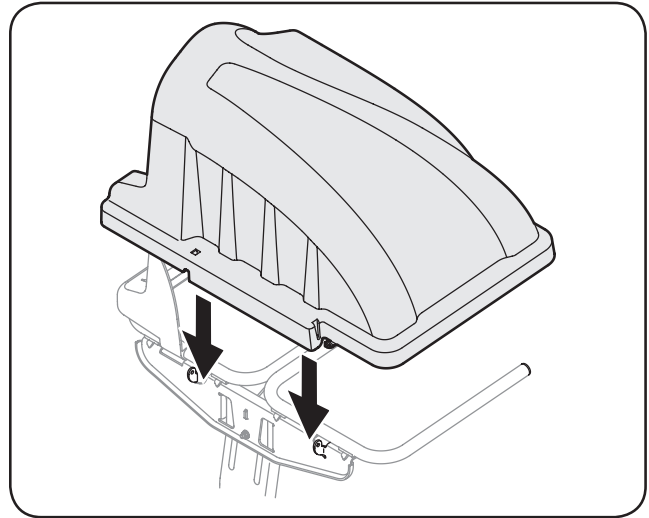


Figure 4-14

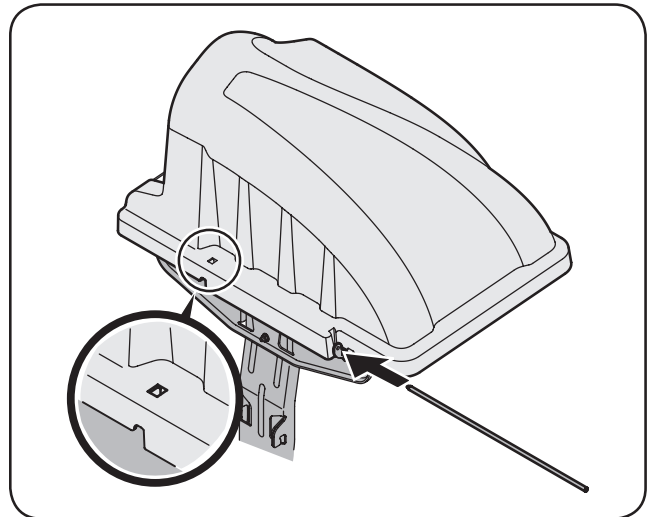


Figure 4-15

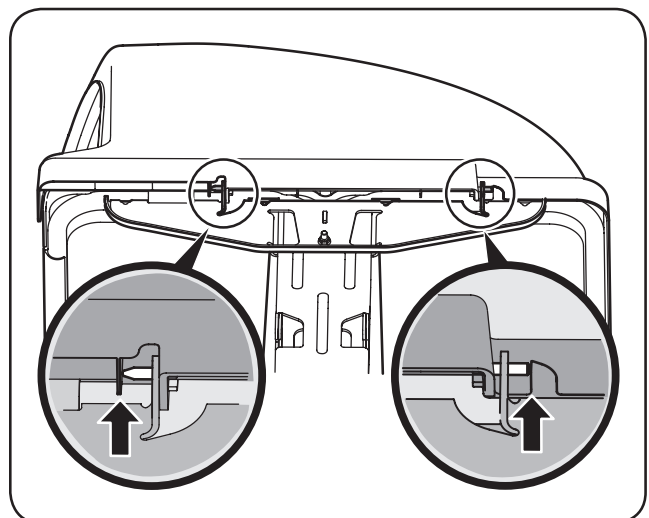


Figure 4-16

- Open Hood by pushing in on the rear, right-side tab with your right hand, as seen in 1 of Fig. 4-17, and lifting the cover with your left hand in the center rear of the bagger cover, 2.

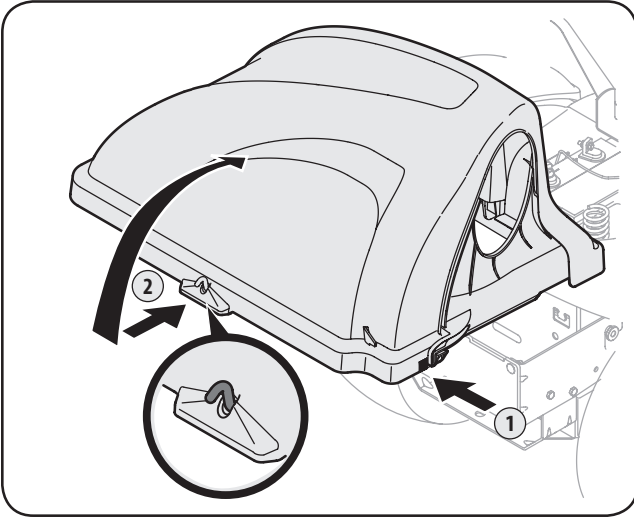


Figure 4-17

- Install both bag assemblies with the tight mesh sides facing forward, onto the bag support brackets by inserting the front edge in first, as seen in Fig. 4-18, and setting the back edge down until it fits into the assembly.

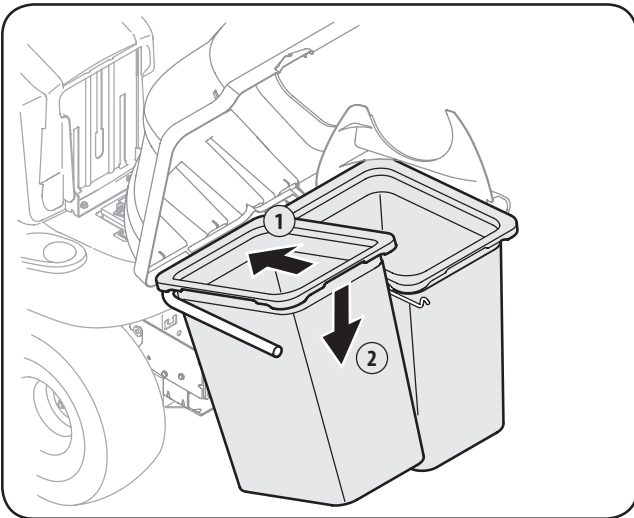


Figure 4-18

- Install the rubber chute strap on the chute elbow using the supplied clevis pin, washer and Bow-tie cotter pin. See Fig. 4-19.
- Install the ball pin from your hardware pack into the hole in the front of the mower deck as seen in Fig. 4-20, and secure with the supplied flange lock nut.
- With the tractor's discharge chute raised up and held open, install the chute elbow over the chute opening by placing the top, rear edge of the chute elbow over the rear of the deck opening, then pivoting the chute elbow down and over the chute opening. See Fig. 4-21.

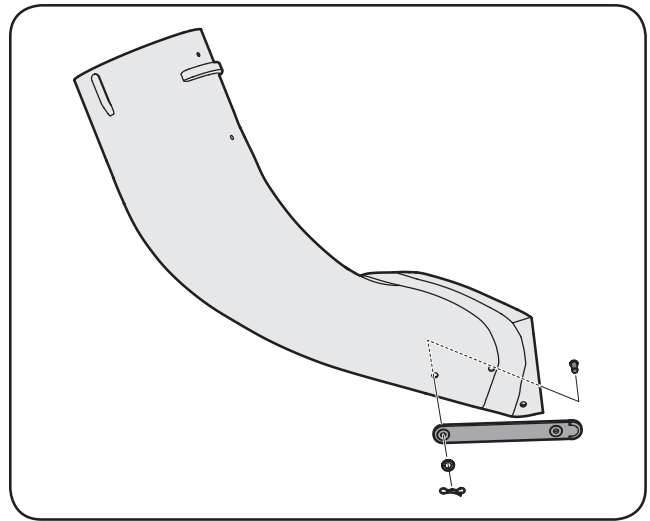


Figure 4-19

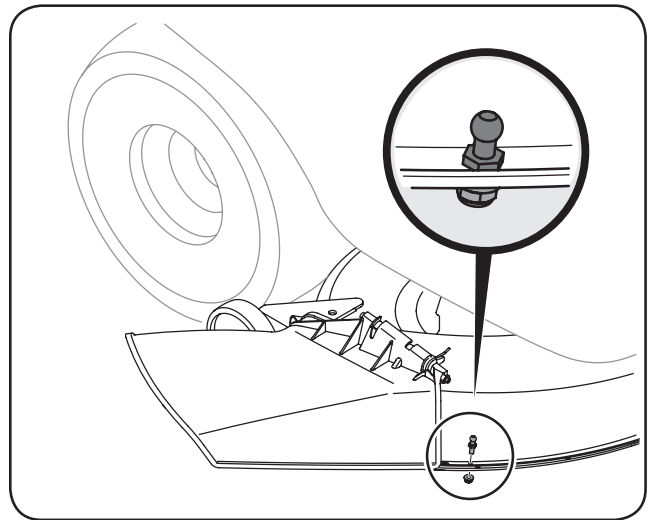


Figure 4-20

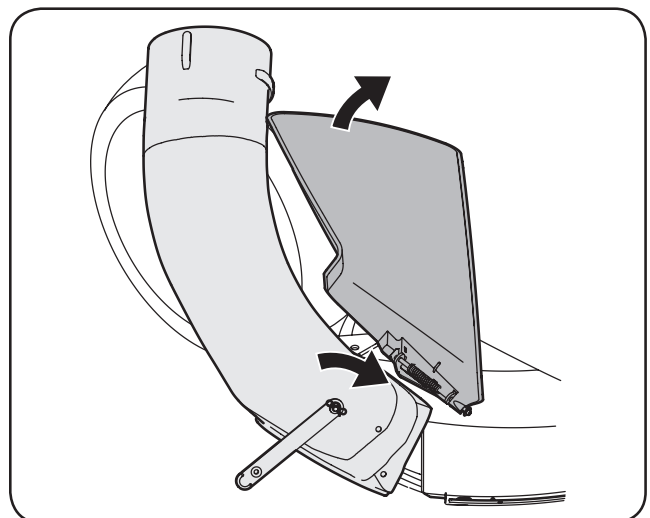


Figure 4-21

Note: For the chute elbow to be properly installed, the bottom edge must fall **over** the bottom of the deck opening. See Fig. 4-22.

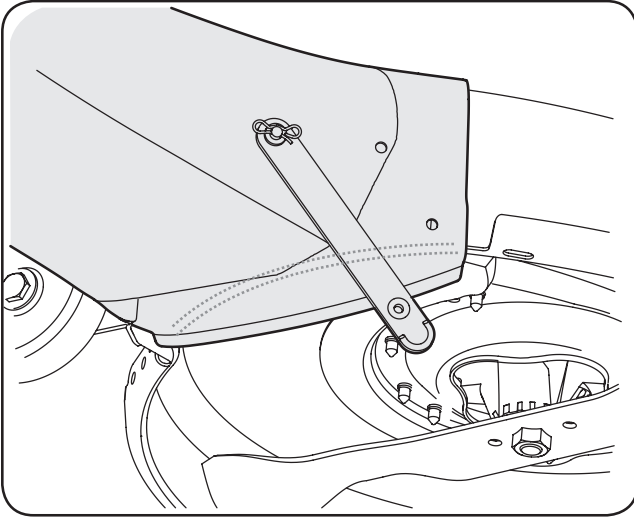


Figure 4-22

12. Secure the chute elbow to the tractor's deck by hooking the chute strap onto the ball pin installed earlier on the deck. See Fig. 4-23.

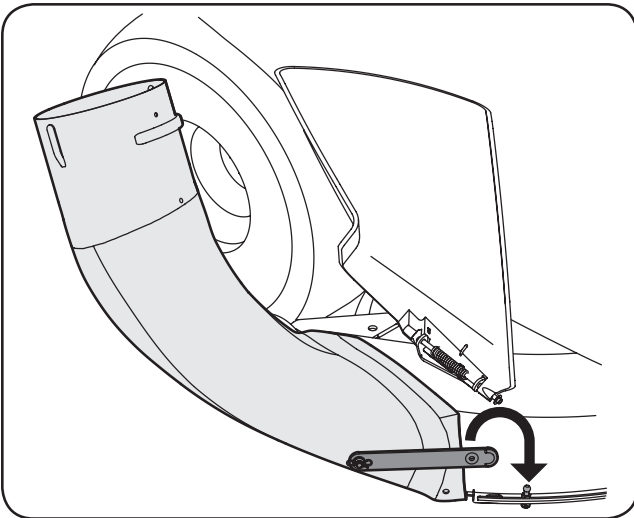


Figure 4-23

13. Install the chute adapter onto the chute elbow by lining up the tabs and sliding the adapter over the chute elbow, as in Fig. 4-24. Secure the chute adapter by installing the two ratchet clips included in the hardware pack in the holes provided.

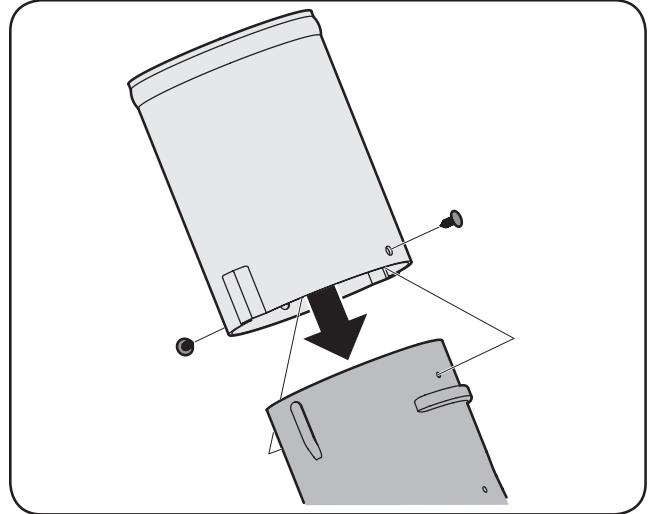


Figure 4-24

14. With the bagger cover open, install the upper chute over the chute adapter, and rest the top so that the chute support sits in the upper chute groove. See Fig. 4-25.

Note: Make sure to align the upper chute with the ridges on the bagger support bracket.

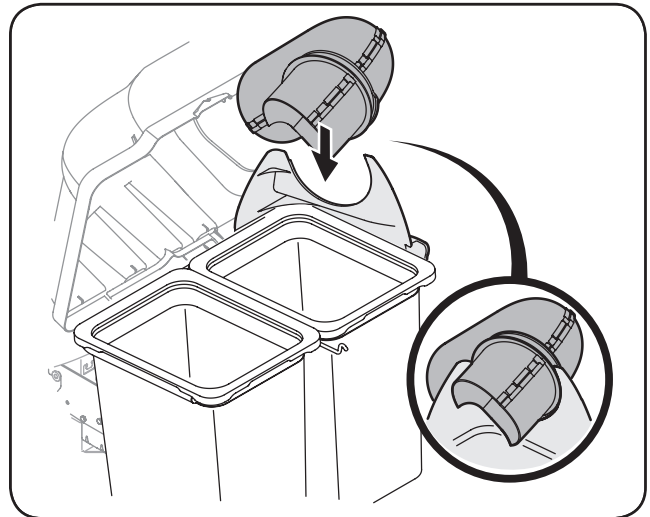
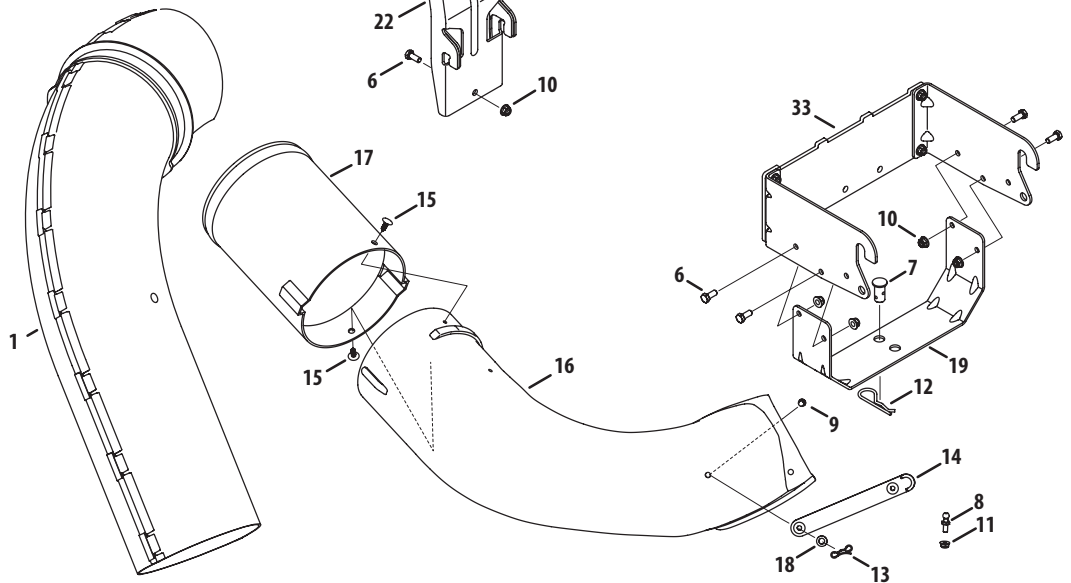
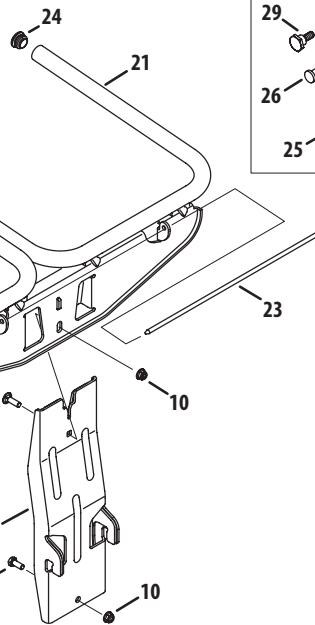
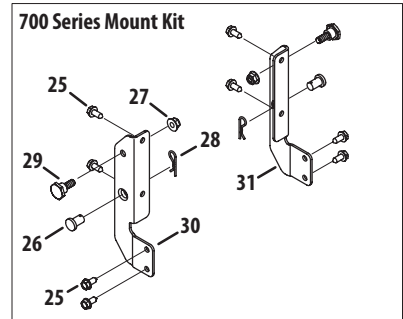
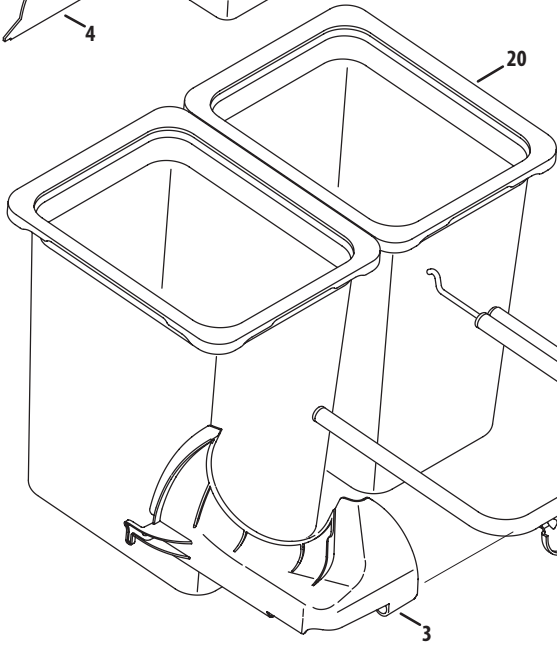
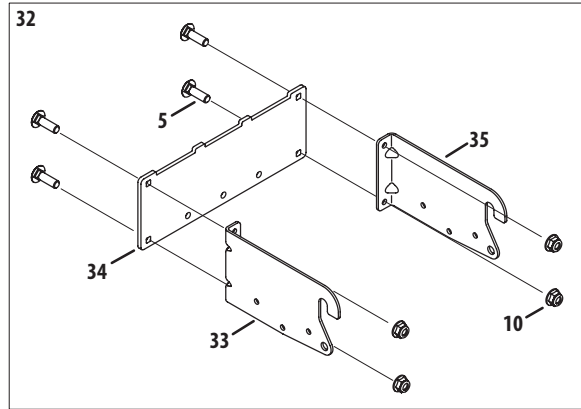
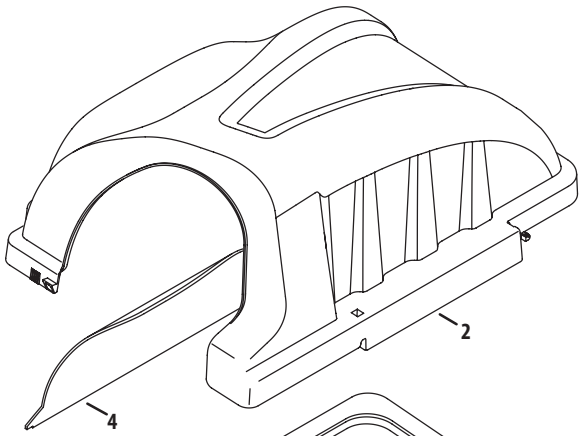


Figure 4-25

Bagger Usage

NOTE: When both grass bags are full, place the tractor on a firm, level surface, disengage the PTO, turn the tractor engine off and set the parking brake.

1. Flip Seat up.
2. Lift up grass bag cover as instructed on Page 14 in Step 7. Do not remove the chute tube assembly from the tractor.
3. Remove the grass bags by lifting these up and moving the bags away from the bag support assembly.
4. Empty the grass clippings at a proper disposal sight, use the handle at the bottom of each grass bag. Holding the bag firmly, empty the contents
5. Replace grass bags, close lid, flip down seat, restart your tractor and resume cutting your grass.



Ref.	Part Number	Description
1.	631-04291	Upper Chute Assembly
2.	631-04292	Double Bagger Cover Assembly
3.	731-06497	Upper Chute Support
4.	731-06504	Bagger Cover Screen
5.	710-0276	Carriage Screw, 5/16-18 x 1.00"
6.	710-3008	Hex Head Screw, 5/16-18 x .75"
7.	711-0309A	Clevis Pin, .62" Dia.
8.	711-04069	Grass-catcher Pin, 1/4-20
9.	711-05063	Clevis Pin, 5/16 x .75 Lg.
10.	712-04063	Flange Lock Nut, 5/16-18
11.	712-04064	Flange Lock Nut, 1/4-20
12.	714-0117	Internal Cotter Pin, .148 x 3.00
13.	714-04040	Bow-Tie Cotter Pin, 72
14.	723-04008A	Chute Strap, 6.00 Lg.
15.	726-3046	Ratchet Clip, .250
16.	731-04153A	Discharge Chute Elbow, 38"/42"
17.	731-06610	Bagger Chute Adapter, 7 In.
18.	736-0204	Flat Washer, .344 x .62 x .033
19.	783-05887	Universal Bracket Support, RT-99/
20.	664-04096	Grass-bag Assembly
21.	683-04461	Double Bag Support Assembly
22.	683-04519	Vertical Support Bracket
23.	711-04988	Cover Hinge Pin
24.	735-0246A	End Plug
25.	710-04484	Tap Screw, 5/16-18 x .750
26.	710-0332	Clevis Pin, .50 x .78 Lg.
27.	712-04065	Flange Lock Nut, 3/8-16
28.	714-0145	Click Pin, .092 x 1.64 Lg.
29.	738-04267	Shoulder Screw, .625 x .412
30.	783-05889	Mounting Bracket, RH
31.	783-05890	Mounting Bracket, LH
32.	689-00101	Hitch Bracket Assembly
33.	789-00052	Hitch Bracket, RH
34.	789-00053	Rear Attachment Bracket
35.	789-00054	Hitch Bracket, LH

MANUFACTURER'S LIMITED WARRANTY FOR



The limited warranty set forth below is given by MTD LLC with respect to new merchandise purchased and used in the United States and/or its territories and possessions, and by MTD Products Limited with respect to new merchandise purchased and used in Canada and/or its territories and possessions (either entity respectively, "MTD").

"MTD" warrants this product (excluding its *Normal Wear Parts and Attachments* as described below) against defects in material and workmanship for a period of one (1) year commencing on the date of original purchase and will, at its option, repair or replace, free of charge, any part found to be defective in materials or workmanship. This limited warranty shall only apply if this product has been operated and maintained in accordance with the Operator's Manual furnished with the product, and has not been subject to misuse, abuse, commercial use, neglect, accident, improper maintenance, alteration, vandalism, theft, fire, water, or damage because of other peril or natural disaster. Damage resulting from the installation or use of any part, accessory or attachment not approved by MTD for use with the product(s) covered by this manual will void your warranty as to any resulting damage.

Normal Wear Parts are warranted to be free from defects in material and workmanship for a period of thirty (30) days from the date of purchase. Normal wear parts include, but are not limited to items such as: batteries, belts, blades, blade adapters, tines, grass bags, wheels, rider deck wheels, seats, snow thrower skid shoes, friction wheels, shave plates, auger spiral rubber and tires.

Attachments — MTD warrants attachments for this product against defects in material and workmanship for a period of one (1) year, commencing on the date of the attachment's original purchase or lease. Attachments include, but are not limited to items such as: grass collectors and mulch kits.

HOW TO OBTAIN SERVICE: Warranty service is available, WITH PROOF OF PURCHASE, through your local authorized service dealer. To locate the dealer in your area:

In the U.S.A.

Check your Yellow Pages, or contact MTD LLC at P.O. Box 361131, Cleveland, Ohio 44136-0019, or call 1-800-800-7310, 1-330-220-4683 or log on to our Web site at www.mtdproducts.com.

In Canada

Contact MTD Products Limited, Kitchener, ON N2G 4J1, or call 1-800-668-1238 or log on to our Web site at www.mtdcanada.com.

This limited warranty does **not** provide coverage in the following cases:

- a. Log splitter pumps, valves, and cylinders have a separate one-year warranty.

- b. Routine maintenance items such as lubricants, filters, blade sharpening, tune-ups, brake adjustments, clutch adjustments, deck adjustments, and normal deterioration of the exterior finish due to use or exposure.
- c. Service completed by someone other than an authorized service dealer.
- d. MTD does not extend any warranty for products sold or exported outside of the United States and/or Canada, and their respective possessions and territories, except those sold through MTD's authorized channels of export distribution.
- e. Replacement parts that are not genuine MTD parts.
- f. Transportation charges and service calls.
- g. MTD does not warrant this product for commercial use.

No implied warranty, including any implied warranty of merchantability of fitness for a particular purpose, applies after the applicable period of express written warranty above as to the parts as identified. No other express warranty, whether written or oral, except as mentioned above, given by any person or entity, including a dealer or retailer, with respect to any product, shall bind MTD. During the period of the warranty, the exclusive remedy is repair or replacement of the product as set forth above.

The provisions as set forth in this warranty provide the sole and exclusive remedy arising from the sale. MTD shall not be liable for incidental or consequential loss or damage including, without limitation, expenses incurred for substitute or replacement lawn care services or for rental expenses to temporarily replace a warranted product.

Some states do not allow the exclusion or limitation of incidental or consequential damages, or limitations on how long an implied warranty lasts, so the above exclusions or limitations may not apply to you.

In no event shall recovery of any kind be greater than the amount of the purchase price of the product sold. **Alteration of safety features of the product shall void this warranty.** You assume the risk and liability for loss, damage, or injury to you and your property and/or to others and their property arising out of the misuse or inability to use the product.

This limited warranty shall not extend to anyone other than the original purchaser or to the person for whom it was purchased as a gift.

HOW STATE LAW RELATES TO THIS WARRANTY: This limited warranty gives you specific legal rights, and you may also have other rights which vary from state to state.

IMPORTANT: Owner may be required to present proof of purchase to obtain warranty coverage.

**MTD LLC, P.O. BOX 361131 CLEVELAND, OHIO 44136-0019; Phone: 1-800-800-7310, 1-330-220-4683
MTD Canada Limited - KITCHENER, ON N2G 4J1; Phone 1-800-668-1238**